

INFINITY Wireless Crane Scale MODEL JJE CROSS



Capacity 0.6, 1, 2, 3, 5, 10, 15T

IP65 All weather purposes

Wireless PII Handheld display unit
200M transmission using 433 MHz

High Accuracy 1:3000 d

High Reliability for all industrial
weighing.

Aluminum Alloy casing for high
strength and portability

Use as dynamometer for crane,
ropes, lifting tests

Reads unit in kg or lbs

Remote control for ease of uses

Safe Working Limits 400%

Specification

Option: can incorporate with a wireless handheld PII display unit for upto 200M transmission with licence free 433 MHz. Organic LED display for high visual clarity

Crane scale are designed to IP65 for all weather purposes.

Peak Hold, Zero and Tare Key

Super Bright LED -5 Digit -30mm (1.2")

Protection for electronic circuitry against electronic noises and RFI

Maximum safe overload 150% Safety Overload 400%

Can record data and total up to a value of 9999 times

Infra red Remote Control – 2 x AAA sized battery

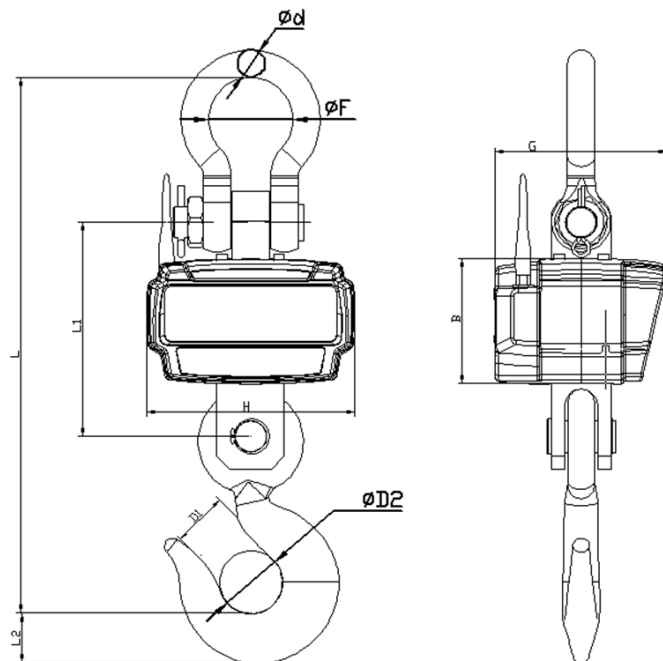
Battery is 6V/4AH (scale) PII is Ni-MH (4.8V/3.2AH)—charger 100– 240V AC

INFINITY Wireless Crane Scale

MODEL JJE CROSS

SPECIFICATION & DIMENSIONS

Max. Cap(kg)	Mini. Weight(kg)	Measured/Hi Div (kg)
600	4	0.2/0.1
1000	10	0.5/0.2
2000	20	1/0.5
3000	20	1/0.5
5000	40	2/1
10000	100	5/2
15000	100	5/2



Model	B	G	H	L	L1	L2	D1	$\Phi 2$	Φd	ΦF
JJE -06 T	120	163	198	420	190	33	40	47	21	76
JJE-1 T	120	163	198	420	190	33	40	47	21	76
JJE-2T	120	163	198	420	190	33	50	47	21	76
JJE-3T	120	163	198	462	196	40	50	50	23	76
JJE-5T	120	163	198	511	204	47	52	60	26	80
JJE-10T	135	181	206	589	239	66	52	70	36	90
JJE-15T	135	181	206	727	257	77	60	85	47	135