

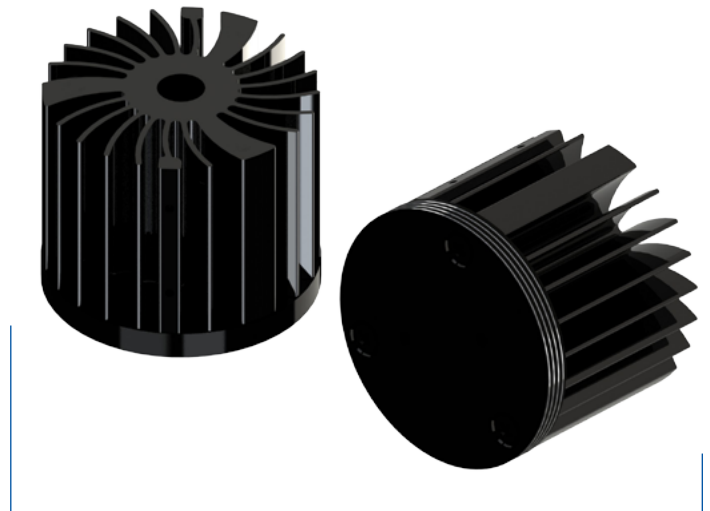
MechaTronix in LED

LSB50 LED Star Heat Sink diameter 50mm



Features & Benefits

- Diameter 50mm base
- Thermal resistance Rth 4.1°C/W
- Extra bottom adaptation plate with base 5mm for flexible mounting options
- Standard height 40mm
Other heights on request
- Extruded from highly conductive aluminum
- Standard colors - clear anodised - black anodised



Order Information

Example: LSB5040-B-XXX

LSB50 **1**-**2**-**3**

1 Height (mm)

2 Anodising Color

B - Black

C - Clear

3 Mounting options

On request:

mounting holes, cable holes,

screw thread, thermal interface pad



MechaTronix in LED

LSB50 LED Star Heat Sink diameter 50mm



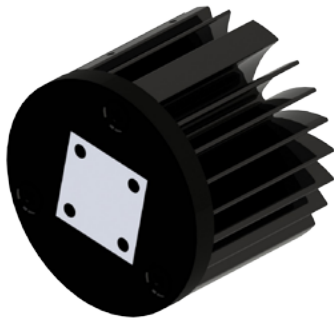
Product Details

	Total Height ^{mm}	Rth(°C/W)	Volume ^{mm³}	Cooling Surface ^{mm²}	Weight ^g
LSB5040	40	4.1	36674.75	31026.48	98.84

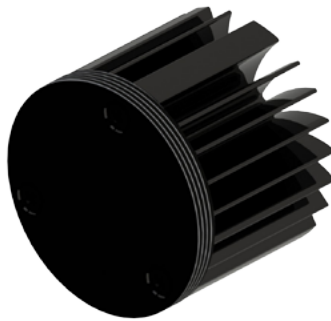
Notes:

1. MechaTronix reserves the right to change products or specifications without prior notice.
2. Mentioned models are an extraction of the full product range. For specific mechanical adaptations please contact MechaTronix.
3. All these types are made by extrusion process from highly conductive aluminum type AL6063 T5 with a typical Thermal Conductivity of 209W/m-K.

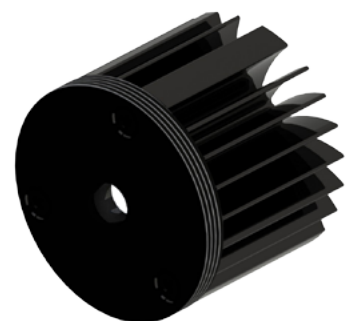
Mounting Option Examples



Thermal interface



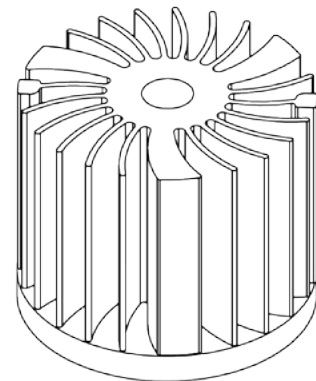
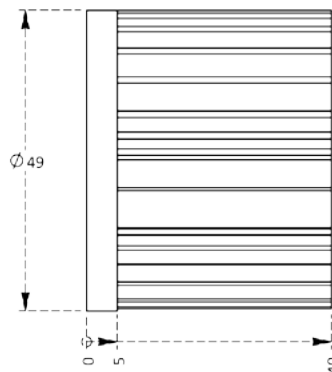
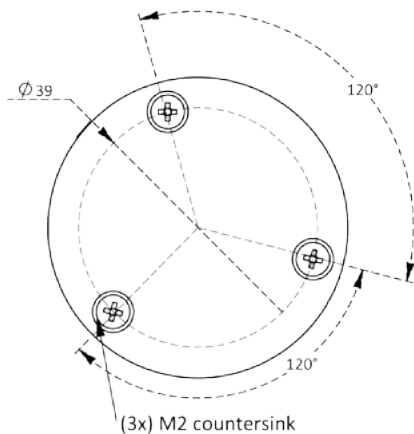
Outer screw thread



Cable hole + Outer screw thread

Drawings & Dimensions

Example: LSB5040-B-XXX



MechaTronix in LED

LSB50 LED Star Heat Sink diameter 50mm



Thermal Data

Heat sink base to ambient thermal resistance, Rhs-amb [K/W]	
Power (W)	LSB5040-Black
10	4.4
15	4.0
17	3.9
Rth Av.	4.1

Spreading resistance, Rsp [K/W]					
Base thickness		t=2mm	t=3mm	t=5mm	t=10mm
Ratio of light engine (LE) area over heat sink base area, ALE/Ahs [%]	1%	0.87	0.61	0.41	0.30
	3%	0.68	0.47	0.30	0.20
	5%	0.54	0.37	0.24	0.15
	8%	0.44	0.30	0.19	0.12
	11%	0.36	0.24	0.15	0.09
	20%	0.24	0.17	0.10	0.06
	32%	0.16	0.11	0.07	0.04
	62%	0.06	0.04	0.03	0.01

