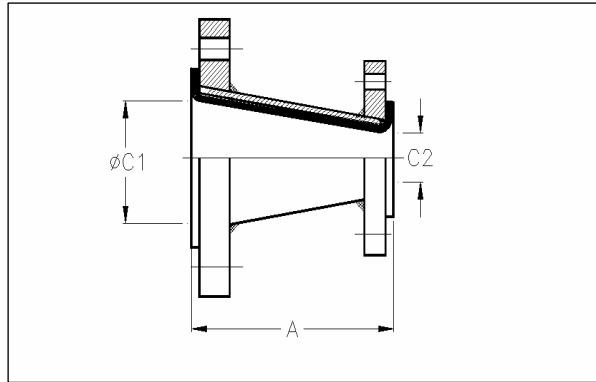
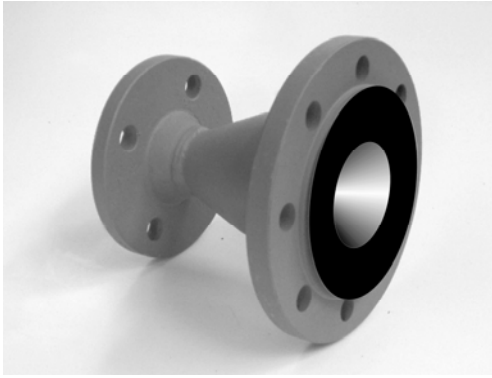


Lined Reducer



Specifications

Housing : A 234 WPB Sh.40 / ASTM A 106 GR.B
In Compliance with ANSI B16.28

Lining : HDPE or PP or PTFE

Flanges : ASTM A 105 / IS 2062 In
Compliance with ANSI B16.5
class 150 lbs All ends fixed flanges.

Size	A
DN 40	114
DN 50	127
DN 65	115
DN 80	127
DN 100	140
DN 200	165
DN 250	203

Inspection and Tests

Hydrostatic Pressure Test:

All Piping products are tested for 150 % of maximum recommended working pressure. Test pressure reaches in 1 minute and maintained for 3 minutes.

Electrostatic Test:

All Lined products are tested with non-destructive high voltage tester at an output voltage of 10 Kv. to detect lining integrity or pin holes.

Visual Inspection:

All finished products are visually inspected for any spots or cracks.

External Finish

Two coats of red oxide primer and Grey hammer tone paint for Valves and sight flow indicators.

Tolerances

Pipes Lengths : +/- 1/8" (+/- 3.2 mm)

Flange Dimensions : As per ANSI B 16.5

Fittings Dimensions : As per ANSI B 16.5 / B 16.9