

# Tool hose balancers

## Features

When the spring failure is happened, the fall prevention device will operate and stop the suspended tool / device.

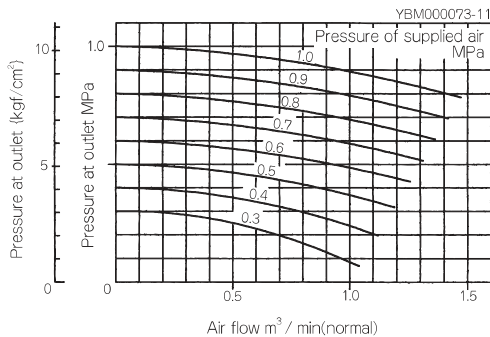
The inside diameter of hose is  $\phi 8.5$  which supplies enough air to operate the suspended air tool / device.

## Working conditions

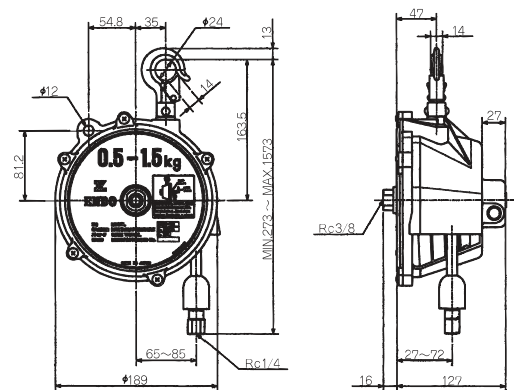
- Application area : Indoor and normal atmospheric conditions
- Temperature rang :  $-10^{\circ}\text{C}$  to  $+40^{\circ}\text{C}$
- Application fluid : Air
- Maximum air pressure : 1.0MPa {10kgf/cm<sup>2</sup>}

Model	Capacity (kg)	Hose travel (m)	Hose inside diameter. ( $\phi$ mm)	Mass (kg)
THB-15	0.5~1.5	1.3	8.5	1.9
THB-25	1.5~2.5	1.3	8.5	2.0
THB-35	2.5~3.5	1.3	8.5	2.1
THB-50	3.5~5.0	1.3	8.5	2.1
THB-65	5.0~6.5	1.3	8.5	2.2

## Flow characteristics



## Dimensions (mm)



## Special accessories

Swivel elbow fitting for air inlet. (outer dia 10.5mm)

Parts No.

LBP000654

Swivel Joint.

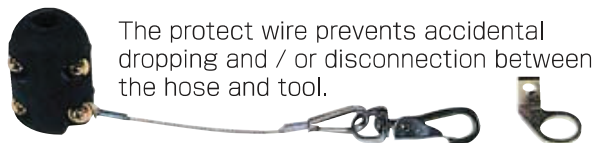
Parts No.

LBP000659

Protect wire.

Parts No.

LBP000801



Coupling socket (Outer dia 11.3mm)

Parts No.

LBP000784



Adjustable hose stopper.

Parts No.

LBP000800

A special hose for an extended length. (with a swivel joint ; 1m)

Parts No.

LBP000785

(max. 2m extension)