

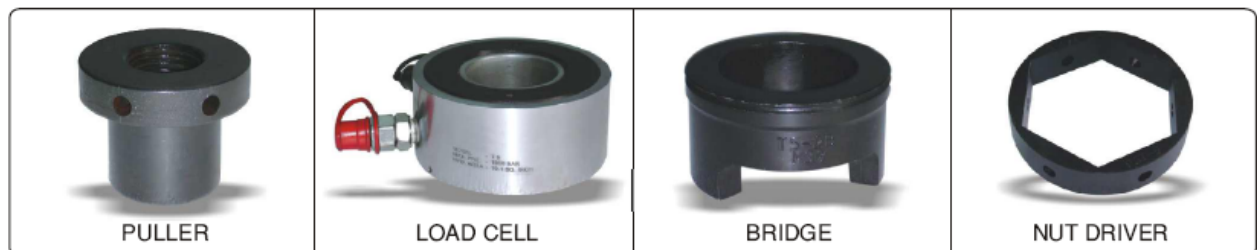
BOLT TENSIONER



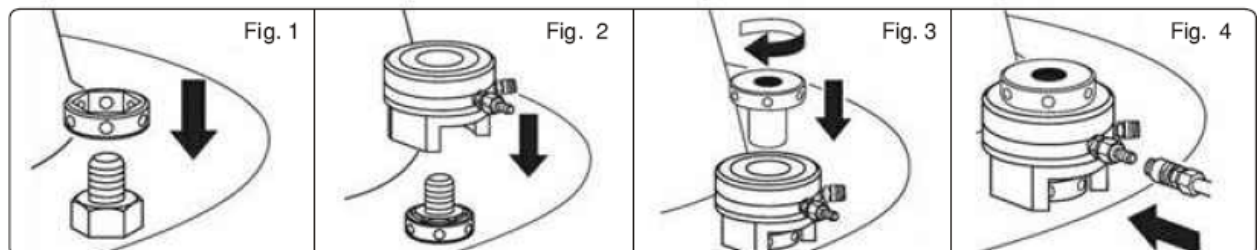
PST Series, Bolt Tensioners are designed for operation in a wide variety of applications including pipeline flanges, heat exchangers, pressure vessels, compressor covers, boilers feed pumps, anchors bolts and many others.

PST Bolt Tensioner is very simple to use consisting of four parts i.e. Puller, Load Cell, Bridge & Nut Driver.

Part of Tensioner :

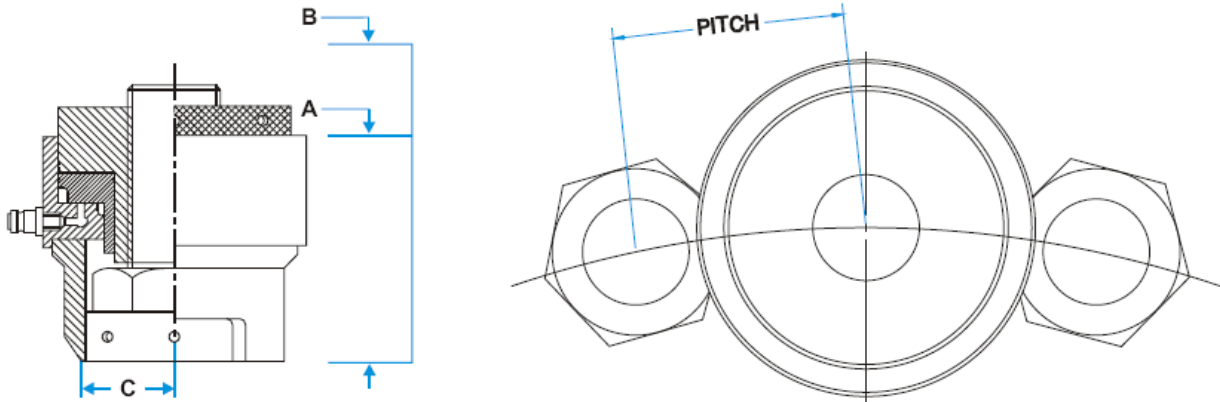


Operational Sequence :



To use bolt tensioner the nut-driver is placed over the nut (fig. 1). The bridge and load cell is then placed over the bolt (fig. 2). The Puller is then screwed over the stud protruding above the nut face. (fig. 3). Desired hydraulic pressure is then applied to load cell, which stretches the bolt. (fig. 4). The nut is then turned down using nut-driver & tommy bar. The Pressure is then released leaving the stud loaded to desired value.

'PST SERIES' SPECIFICATIONS



Specifications :

Model No.		Bolt Size		Max Load		Hyd Area	O.D.	Min Pitch	Relief C	Height A	Clearance B
Cell	Adaptor	inch	mm	Ton	kN	in ²	mm	mm	mm	mm	mm
PST-01	A1-0.12	3/4		34.51	338.4	3.50	84	46	26	92	156
	A1-M20		20					47	26	92	156
	A1-0.14	7/8						53	30	100	164
	A1-M24		24					54	30	100	164
	A1-1.00	1						55	30	100	164
PST-02	A2-M27		27	43.78	397.3	4.11	98	58	29	104	172
	A2-1.02	1.1/8						61	32	104	172
	A2-M30		30					64	32	105	177
	A2-1.04	1.1/4						69	35	105	180
	A2-M33		33					70	35	107	183
	A2-1.06	1.3/8						72	36	109	188
	A2-M36		36					73	36	109	189
PST-03	A3-1.04	1.1/4		70.37	638.6	6.60	115	73	37	106	176
	A3-M33		33					74	37	108	178
	A3-1.06	1.3/8						76	38	110	182
	A3-M36		36					77	38	110	183
	A3-1.08	1.1/2						84	43	114	191
	A3-M39		39					84	43	114	191
PST-04	A4-1.06	1.3/8		79.46	721.0	7.50	128	79	39	110	183
	A4-M36		36					80	39	110	183
	A4-1.08	1.1/2						87	43	114	188
	A4-M39		39					87	43	114	188
	A4-1.10	1.5/8						92	46	116	192
	A4-M42		42					92	46	116	193
	A4-1.12	1.3/4						97	49	120	200
	A4-M45		45					98	49	120	200
PST-05	A5-1.10	1.5/8		103.78	941.8	9.73	145	95	47	118	193
	A5-M42		42					95	47	118	195
	A5-1.12	1.3/4						100	50	122	200
	A5-M45		45					100	50	122	201
	A5-1.14	1.7/8						106	53	125	207
	A5-M48		48					106	53	125	207
	A5-2.00	2						111	55	128	215
	A5-M52		52					112	55	128	215
PST-06	A6-1.14	1.7/8		149.18	1353.8	14.0	165	107	54	125	205
	A6-M48		48					107	54	125	205
	A6-2.00	2						112	56	128	210
	A6-M52		52					112	56	128	210
	A6-M56		56					113	60	132	219
	A6-2.04	2.1/4						123	62	134	222
	A6-M60		60					126	62	137	229

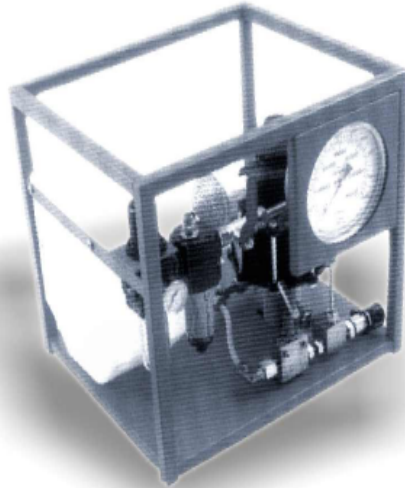
'PST SERIES' SPECIFICATIONS



Model No.		Bolt Size		Max Load		Hyd Area	O.D.	Min Pitch	Relief C	Height A	Clearance B
Cell	Adaptor	inch	mm	Ton	kN	in ²	mm	mm	mm	mm	mm
PST-07	A7-M56		56	174.80	1586.3	16.4	180	119	58	135	221
	A7-2.04	2.1/4						122	61	137	225
	A7-M60		60					125	61	140	230
	A7-2.08	2.1/2						133	66	143	237
	A7-M64		64					133	66	143	237
	A7-M68		68					137	67	148	247
	A7-2.12	2.3/4						142	69	151	253
PST-08	A7-M72		72					143	69	151	255
	A8-M68		68	217.94	1977.7	20.4	198	140	70	148	244
	A8-2.12	2.3/4						145	72	151	249
	A8-M72		72					146	72	151	251
	A8-M76		76					155	77	154	260
PST-09	A8-3.00	3						155	77	154	260
	A9-2.12	2.3/4		272.42	2472.1	25.6	215	145	72	153	254
	A9-M72		72					146	72	153	254
	A9-M76		76					155	77	156	261
	A9-3.00	3						155	77	156	267
	A9-M80		80					166	85	161	272
PST-10	A9-3.04	3.1/4						168	85	161	275
	A10-M80		80	335.66	3046.0	31.5	244	168	87	165	271
	A10-3.04	3.1/4						170	87	165	274
	A10-M85		85					175	89	170	280
	A10-3.08	3.1/2						180	91	174	284
	A10-M90		90					181	91	174	285
	A10-M95		95					189	95	180	296
	A10-3.12	3.3/4						189	95	180	296
PST-11	A10-M100		100					198	99	185	307
	A10-4.00	4						199	99	185	307
	A11-3.12	3.3/4		415.11	3767.0	38.9	280	190	96	183	298
	A11-M100		100					199	100	188	303
	A11-4.00	4						200	100	188	305
	A11-4.04	4.1/4						210	105	197	320
	A11-M110		110					210	105	197	321
	A11-4.08	4.1/2						225	117	202	332
PST-12	A11-M120		120					230	118	209	344
	A11-4.12	4.3/4						235	118	209	346
	A11-M125		125					240	121	213	354
	A12-M125	M125		523.76	4752.90	49.1	325	240	123	215	362
	A12-5.00	5						245	123	215	367
	A12-M130		130					250	126	218	370
	A12-5.04	5.1/4						250	126	221	373
	A12-5.08	5.1/2						265	135	227	387
	A12-M140		140					265	135	228	388
	A12-5.3/4	5.3/4						275	138	229	397
	A12-M150		150					280	141	232	404

- Bolt Load = Bolt Stress x Area of Stud.
- = (Bolt Stretch x Modulus of Elasticity x Area of Stud) Effective Length.
- Hydraulic Pressure = (Bolt Load x Relaxation Factor) / Load Cell Area.

BOLT TENSIONER PUMPS & ACCESSORIES



PU-AH-1500



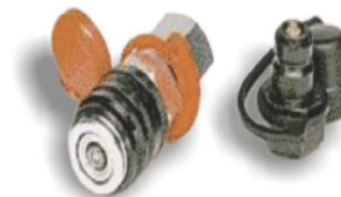
PU-HP-1500

A choice of manual or air driven hydraulic pump units both compatible for use with standard PST stud bolt tensioners is available. Both models are easy to operate and are supplied complete with A calibrated pressure gauge and quick release outlet coupling. The air driven PUAH1500 model also incorporates an integral inlet air filter regulator & lubricator.

Model No.	Description	Usable Oil Capacity	Outlet Coupler	Length	Dimensions	Height	Net Weight
		(Liters)		mm	mm	mm	Kg.
PU-AH-1500	1500 bar (21750 psi) Air/Hydraulic Pump	0.7	HNCP-002	610	170	180	7.00
PU-HP-1500	1500 bar Hand Pump c/w 200 bar gauge	2.0	HNCP-002	450	390	390	22.0



PU-HG500



HNCP002

HNCP011