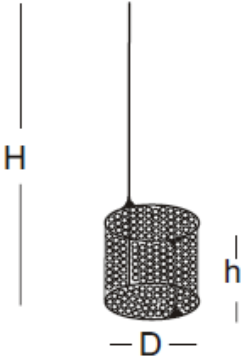
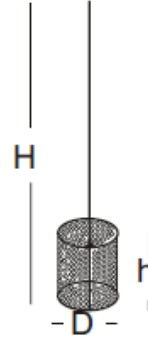
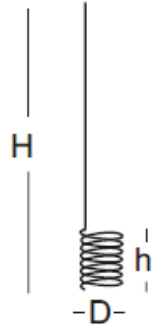
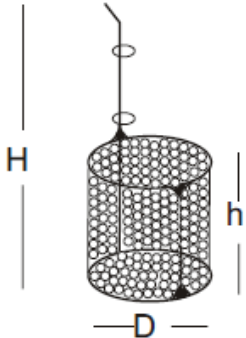
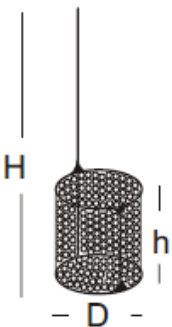
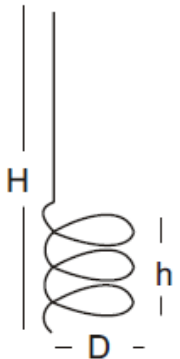
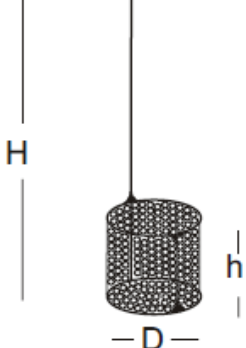
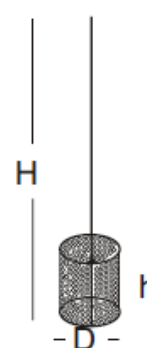
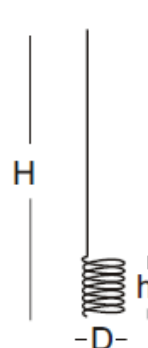

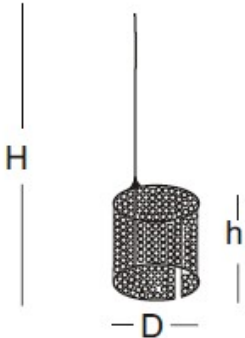
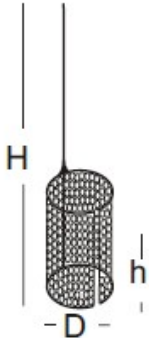
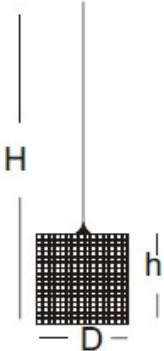


No.	145D	145E	145F
			
Height Overall (H)	150 mm	170 mm	140 mm
Height of Cylinder (h)	045 mm	045 mm	030 mm
Diameter of Cylinder (D)	045 mm	025 mm	010 mm
Approximate Weight	031 gram	036 gram	010 gram
Approximate Surface Area	125 cm²	070 cm²	0.35 cm²

1.

No.	145A	145B	145C
			
Height Overall (H)	125 mm	140 mm	140 mm
Height of Cylinder (h)	045 mm	032 mm	032 mm
Diameter of Cylinder (D)	045 mm	032 mm	032 mm
Approximate Weight	034 gram	019 gram	013 gram
Approximate Surface Area	125 cm ²	070 cm ²	0.75 cm ²

No.	145D	145E	145F
			
Height Overall (H)	150 mm	170 mm	140 mm
Height of Cylinder (h)	045 mm	045 mm	030 mm
Diameter of Cylinder (D)	045 mm	025 mm	010 mm
Approximate Weight	031 gram	036 gram	010 gram
Approximate Surface Area	125 cm ²	070 cm ²	0.35 cm ²

No.	145G	145H	145I (Square)
			
Height Overall (H)	150 mm	130 mm	140 mm
Height of Cylinder (h)	045 mm	050 mm	30 mm
Diameter of Cylinder (D)	045 mm	030 mm	30 mm
Approximate Weight	028 gram	016 gram	013 gram
Approximate Surface Area	120 cm ²	095 cm ²	0.18 cm ²