

# Omega Products Private Limited

## Ceramic Encased Resistor (SQHG & SQH type)

### OCH Series

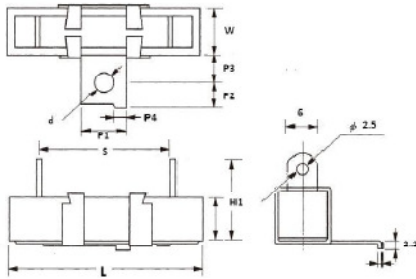
#### DESCRIPTION

A resistance element of Nicrom alloy is wound on ceramic body. Resistor is fitted with cement in ceramic boats and cured. The fire proof ceramic construction provides excellent thermal conductivity and resistance to solvent and moisture & for mechanical and climatic protection, Marking is given with respect to designated value, tolerance & type no. All Resistors are subjected to testing before dispatch.

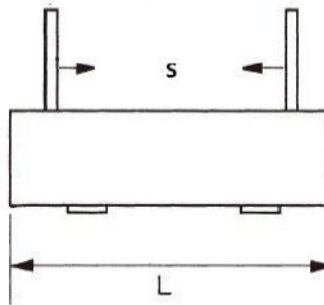
#### FEATURES :

- Wide Range of Resistors
- Low TCR available
- Low Tolerances available
- RoHS Compliant
- Custom Built Design and values available

**SQHG TYPE**



**SQH TYPE**



Type A + B	Power Rating (W)	Resistance Range (Ω)	Dimension (mm)										TCR
			L ± 2	H ± 1	W ± 1	S ± 1	H1 ± 1	P1 ± 1	P2 ± 1	P3 ± 1	P4 ± 1	d	
OCH 10	10	0.5Ω~50KΩ	48	10	10	33	21	12	6.0	8.0	3	4	± 300 ppm
OCH 15	15	0.5Ω~150KΩ	48	12	12	33	21	12	6.0	8.0	3	4	± 300 ppm
OCH 20	20	0.5Ω~150KΩ	63.7	12	12	42	24	12	6.0	8.0	3	4	± 300 ppm
OCH 30	30	0.1Ω~2KΩ	75	19	18	56	30	17	8.0	10.0	3.0	4	± 300 ppm
OCH 40	40	0.1Ω~2KΩ	90	19	18	68	30	17	8.0	10.0	3.0	4	± 300 ppm

Above 500 Ohm we can supply in Metal oxide

#### PERFORMANCE CHARACTERISTIC

Short Term Overload (3 x Rated Wattage - 5 Sec)	Requirement Shall not Exceed Delta R ± (0.2% +0.05 Ohms)
Load Life (Rated at 70°C 1000 Hrs 1.5/0.5 Hr ON/OFF)	Delta R ± (5.0% +0.05 Ohms)
Temperature Cycling (-55 /+155, 5 cycles)	Delta R ± (0.1% +0.05 Ohms)
Solderability (Solder bath dip - 5 Sec)	Greater than 95% Coverage
Resistance to Solvents (Solvent dip - 3 min)	No effect of IPA /TCE Solvents
Damp Heat Steady State (40°C/95% Rh - 56 days)	Delta R ± (3.0% +0.05 Ohms)
DWV Test	No flash over upto 1 KV
Insulation Resistance	500M Ω

#### **Ordering Info:**

OCH 10 390 J B 100 PPM W

\*Specifications is subject to change without notice