



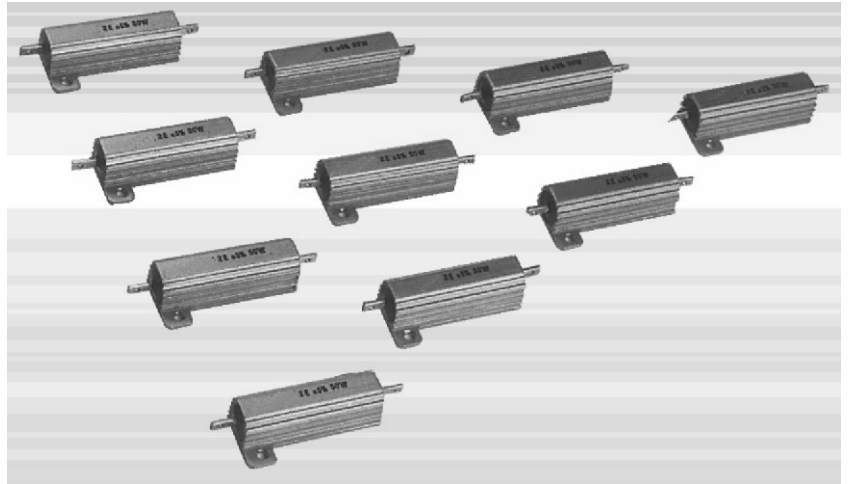
ALUMINIUM HOUSED POWER RESISTORS OAH SERIES

The OAH style is a range of high quality, high stability Aluminium Housed Power resistors designed for direct heat sink attachment.

A wide range of resistance values are available in 5 to 300W.

Design of higher wattage resistors for special applications can be done with ease.

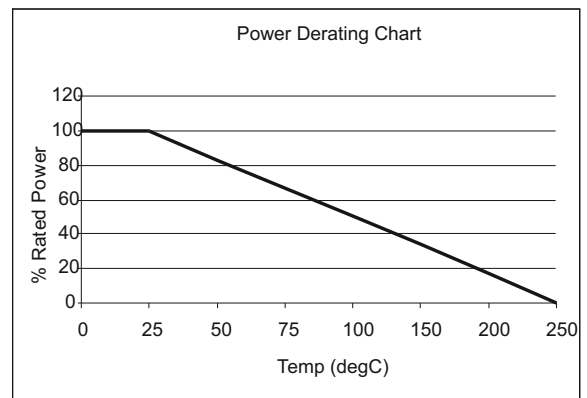
- Excellent Heat transfers and small dimensions
- Good Electrical Stability, reliability and mechanically very rigid.
- Non Inductive variation available
- values from R01 to 150K
- Custom Terminations, Mounting Arrangements possible
- RoHS Compliant.



GENERAL SERIES CHARACTERISTICS

Characteristic	Condition	Compliance
Tolerance	For Values less than 1W	± 5%
(Tighter Tolerance available on request)	For Values greater than 1 W	± 0.25% to ± 5%
Temperature Co-efficient	For Values less than 100W	60 PPM/°C
(Lower TCR's available on request)	For Values greater than 100 W	30 PPM/°C
Insulation Resistance	Dry/Normal	10 G Ω min
Change in Resistance		
- Short time overload	10x rated voltage for 5 secs	± 0.5%
- Shelf Life	After 3 years	< ± 1%
Incombustibility	16x Rated Wattage for 5 secs	No Flame
Operating Temperature	From -25°C to 250°C	

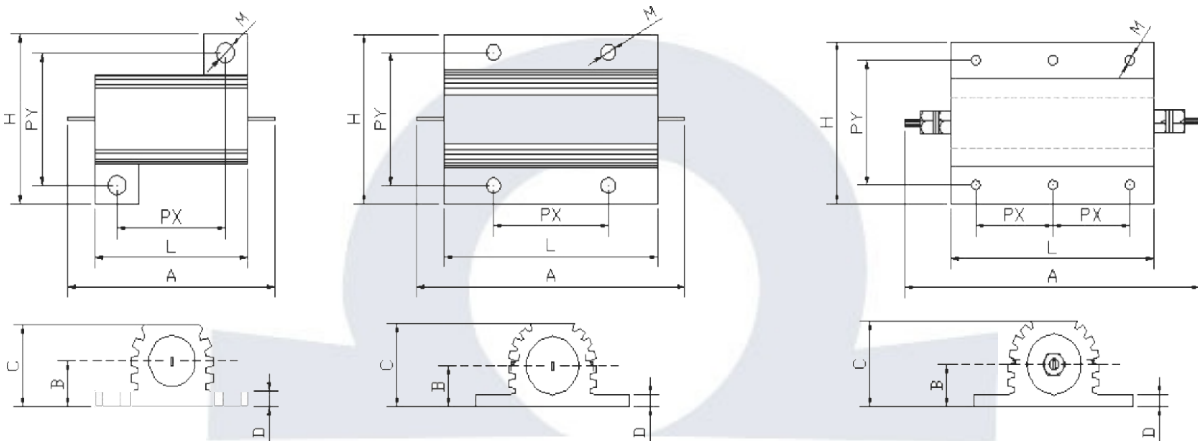
POWER DERATING



ELECTRICAL SPECIFICATION

Series	Power rating on Std Heat sink @25°C	Power rating with no Heat sink @25°C	Resistance Range	Limiting element Voltage (DC/AC rms)	Dielectric Strength (AC Pk)	Weight Approx. (gms)	Standard Heat sink	
							Area (cm ²)	Thickness (mm)
OAH5	10	5	R01-10K	160	1400	5	400	1
OAH10	15	8	R01-15K	260	1400	7	400	1
OAH25	25	12.5	R01-35K	550	2500	15	550	1
OAH50	50	20	R01-100K	1250	2500	30	550	1
OAH75	75	45	R01-50K	1400	5000	85	1000	3
OAH100	100	50	R01-100K	1900	5000	115	1000	3
OAH150	150	55	R01-100K	2500	5000	175	1000	3
OAH200	200	50	R01-50K	1900	5000	475	3750	3
OAH250	250	60	R01-65K	2200	5000	600	4800	3
OAH300	300	75	R01-80K	2500	5000	700	5800	3

MECHANICAL SPECIFICATION



Series	L max	A max	H max	PX ± 0.3	PY ± 0.3	M ± 0.3	B max	C max	D max
OAH5	17.5	29	17	11.3	12.4	2.4	4.5	9	2.5
OAH10	21	37	21	14.3	15.9	2.4	5.5	11	3.2
OAH25	30	52	28	18.3	19.8	3.2	7.3	15	3.2
OAH50	50	73	30	39.7	21.4	3.2	8.5	17	3.2
OAH75	50	71	48	29	37	4.4	11.8	26	3.5
OAH100	66	90	48	35	37	4.4	11.8	26	3.5
OAH150	98	125	48	58	37	4.4	11.8	26	3.5
OAH200	90	145	73	35	57.2	5.3	20.5	45	6.75
OAH250	110	165	73	44.5	57.2	5.3	20.5	45	6.75
OAH300	130	180	73	52	57.2	6.6	20.5	45	6.75

Please feel free to contact OMEGA, for any assistance required to choose the right solution. We are also able to design custom resistive solutions based on your requirement.

Omega Products Pvt. Ltd.

Unit No.50,SDF II, SEEPZ (SEZ) Andheri (East), Mumbai.400 096 INDIA
 Ph : 91 - 22 - 28290027,
 e-mail : sales@omegaresistors.com