

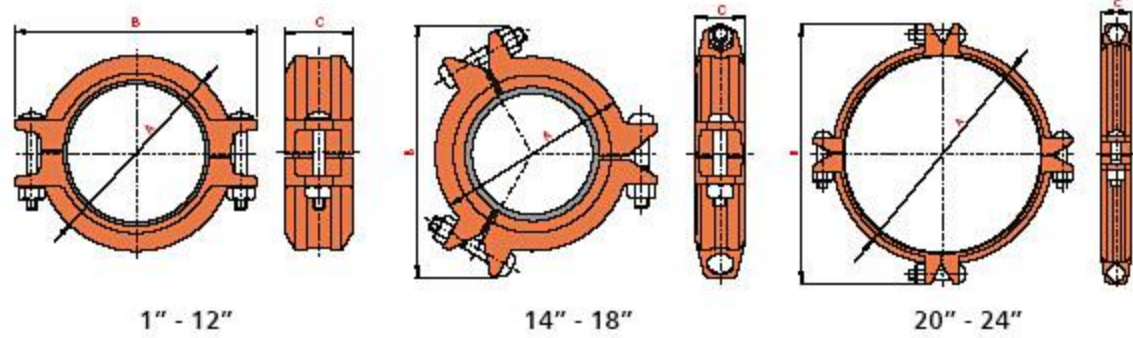


"a step up in value, a step down in cost"

RIGID COUPLING STYLE 5



- Provides joint rigidity, for the support and hanging requirements of ANSI B31.1 Power Piping Code; ANSI B31.9 Building Service Pipe Code and NFPA 13 Sprinkler Systems.
- Tongue and Groove arrangements in housings do not permit expansion, contraction and deflections are minimal.
- Available with hot dip Galvanized coatings as optional.



Pipe		Part Number	Max. Working Pressure psi / kPa	Allow Pipe End Separation in. / mm ⁵	Dimensions (inch / mm)			Approx. Wt. Each lb. / kg.
Nominal Size	Actual Size in. / mm				A	B	C	
1"	1.315 33.4	05100	750 5175	0.10 2.5	2.19 55.6	3.54 90.0	1.72 43.8	1.2 0.5
1 1/4"	1.660 42.2	05125	750 5175	0.10 2.5	2.56 65.0	3.90 99.0	1.73 43.9	1.2 0.6
1 1/2"	1.900 48.3	05150	750 5175	0.10 2.5	2.80 71.0	4.21 107.0	1.73 43.9	1.3 0.6
2"	2.375 60.3	05200	750 5175	0.10 2.5	3.29 83.6	4.72 120.0	1.79 45.7	1.5 0.7
2 1/2"	2.875 73.0	05250	750 5175	0.10 2.5	3.83 97.3	5.28 134.0	1.79 45.7	1.8 0.8
3"OD	3.000 76.1	05290	750 5175	0.10 2.5	3.96 100.5	5.39 137.0	1.79 45.7	2.1 1.0
3"	3.500 88.9	05300	750 5175	0.10 2.5	4.49 114.1	5.98 152.0	1.79 45.7	2.4 1.1
4"	4.500 114.3	05400	750 5175	0.16 4.1	5.83 148.0	7.20 183.0	1.99 50.6	3.7 1.7
5"	5.563 141.3	05500	750 5175	0.16 4.1	6.91 175.5	8.66 220.0	1.99 50.6	4.6 2.1
5 1/2"OD	5.500 139.7	05550	750 5175	0.16 4.1	6.84 173.8	8.66 220.0	1.99 50.6	4.6 2.1
6"	6.625 168.3	05600	750 5175	0.16 4.1	8.07 205.0	9.80 249.0	1.99 50.6	6.0 2.7
6 1/2"OD	6.500 165.1	05650	750 5175	0.16 4.1	7.91 201.0	9.69 246.0	1.99 50.6	5.5 2.5
8"	8.625 219.1	05800	600 4140	0.19 4.8	10.26 260.5	12.40 315.0	2.32 59.1	11.9 5.4
10"	10.750 273.0	05910	500 3450	0.13 3.3	12.66 321.6	15.43 392.0	2.44 62.2	19.0 8.6
12"	12.750 323.9	05912	400 2760	0.13 3.3	14.65 372.0	17.56 446.0	2.48 63.0	21.0 9.5
14"OD	14.000 355.6	05914	300 2070	0.13 3.3	15.87 403	18.97 481.9	2.91 74.0	30.4 13.8
16"OD	16.000 406.4	05916	300 2070	0.13 3.3	17.87 454.0	20.76 527.4	2.91 74.0	35.5 16.1
18"OD	18.000 457.2	05918	300 2070	0.13 3.3	20.00 508.0	22.57 573.3	3.06 77.6	44.0 20.0
20"OD	20.000 508.0	05920	300 2070	0.13 3.3	21.97 558.0	26.00 660.3	3.06 77.6	67.2 30.5
24"OD	24.000 610.0	05924	250 1725	0.09 2.3	25.98 660.0	30.03 762.8	3.09 78.5	76.2 34.6

Refer Page No:4 for Notes