

"aira" offers HIGH FLOW Diaphragm type solenoid valves, are specially engineered in the construction of Investment Cast CF8 / CF8M / CF3M body with Electro plating for multiple and long lasting operations.

Types :

1. Normally close - Engrised to Open
2. Normally Open - Energised to Close

Application : Air, Water, Light Oil, Gas, Light Chemical

Size Range : 1/4" To 6" Screwed / Flanged / Triclover

"aira" solenoid valves are the best for the inflammable media / environment. The Flameproof / Explosion proof solenoid coils are available in such application.

Technical Specifications :

| | |
|-------------------|--|
| Body & Cover | ASTM A351 Gr. CF8 / CF8M / CF3M |
| Seals / Diaphragm | Nitrile / Neoprene (optional - silicon, viton & other) |
| Pressure Range | 0.5 to 10 bar |
| Temperature Range | -5° C to 85° C (On Request upto 95° C) |
| Coil Voltage | 12V, 24V, 48V, 110V, 230V, AC/DC |
| Coil Insulation | 'F' Class |
| Coil Rating | Continuous Rated |



Applications :

Textile Processing Machinery, Chemical Plants, Water Treatment, Sugar Machinery, Cement Machinery, Pumps, Irrigation, Combustion Equipment, Heat Exchanger, Air Dryer, Pollution Controls, Laundry Equipments and where dependable ON/OFF type control is required.

Solenoid Coil



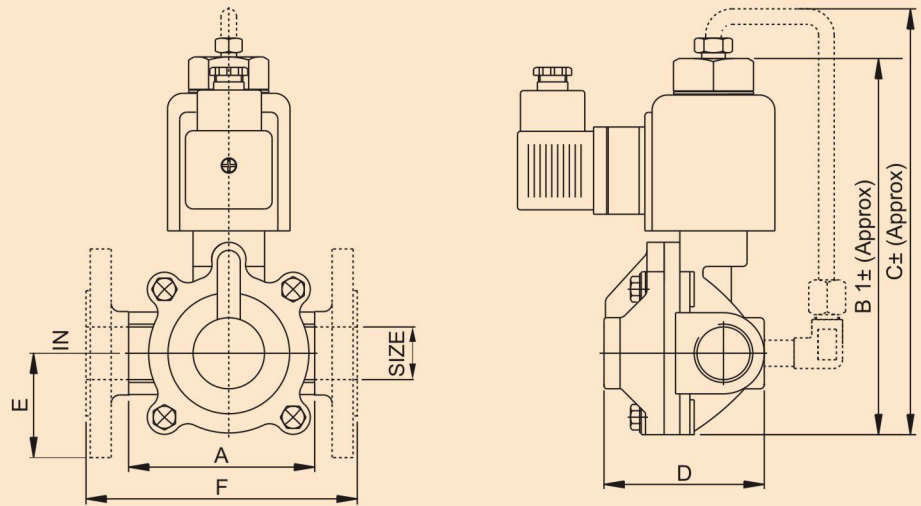
(for General)



IP - 65 & IS:2147
(for Weather Proof)



Explosion & flame proof solenoid available on request.
(As per IS : 2148 Standard approved by Central Mining Research Institute - CMRI)



Dimensions :

(All Dimensions are in mm)

| Valve Model | Valve Size | | Flow Factor Kv m ³ /hr | A | F | B | C | D | E | Weight (Approx) | |
|-------------|------------|--------|---|---------|---------|----------|----------|-----|------|-----------------|--------|
| | MM | Inch | | Screwed | Flanged | (Approx) | (Approx) | | | S/E | F/E |
| ISD - 6 | 6 | 1/4" | 2.5 | 65 | 130 | 122 | 170 | 53 | - | 0.825 | 1.500 |
| ISD - 10 | 10 | 3/8" | 2.5 | 65 | 130 | 122 | 170 | 53 | - | 0.800 | 1.450 |
| ISD - 15 | 15 | 1/2" | 3.5 | 65 | 130 | 122 | 170 | 53 | 44.5 | 0.760 | 1.400 |
| ISD - 20 | 20 | 3/4" | 5.0 | 80 | 150 | 130 | 180 | 74 | 49.5 | 1.100 | 1.880 |
| ISD - 25 | 25 | 1" | 11.0 | 95 | 160 | 148 | 200 | 75 | 54 | 1.500 | 2.270 |
| ISD - 32 | 32 | 1.1/4" | 13.0 | 121.5 | 180 | 159 | 212 | 105 | 58.5 | 2.340 | 6.160 |
| ISD - 40 | 40 | 1.1/2" | 20.0 | 121.5 | 200 | 159 | 212 | 105 | 63.5 | 2.250 | 6.160 |
| ISD - 50 | 50 | 2" | 38.0 | 140 | 230 | 177 | 225 | 120 | 76.5 | 3.350 | 6.500 |
| ISD - 65 | 65 | 2.1/2" | 67.6 | 172 | 290 | 198 | 230 | 140 | 89 | 4.030 | 9.350 |
| ISD - 80 | 80 | 3" | 97.6 | 195 | 310 | 235 | 260 | 160 | 95 | 5.970 | 12.200 |
| ISD - 100 | 100 | 4" | - | 300 | 350 | 280 | 318 | 160 | 114 | 13.500 | 22.850 |
| ISD - 150 | 150 | 6" | - | 344 | 482.5 | - | - | - | - | 30.300 | 50.100 |