

PP BUTTERFLY VALVE - Flange End



TECHNICAL DATA :

CONSTRUCTION : Single piece body.

DESIGN AND MANUFACTURING STD. : As per Manufacturer's Standard

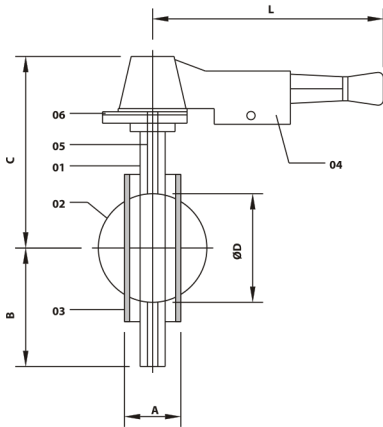
END CONNECTIONS : Flanged as per ASA 150 #

AVAILABLE M.O.C. :

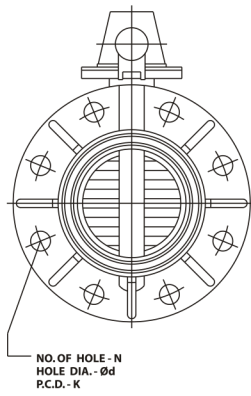
PP (POLYPROPYLENE)

ISOTACTIC PP

PVDF (POLYVINYLIDENE FLUORIDE)



NO.	DESCRIPTION	MATERIAL OPTION	QTY.
01	BODY	PP / ISOPP / PVDF	1
02	DISC	PP / ISOPP / PVDF	1
03	SEAT	NEOPRENE / EPDM / VITON	1
04	LEVER	PP / ABS	1
05	STEM	EN 8 / SS 316	1
06	LEVER LOCK	M.S. ZINC COATED / SS 316	1



ALL DIMENSIONS ARE IN MM

(±2 MM)

SIZE		A	B	C	ØD	L	N	Ød	K
IN.	MM								
3"	80	49	100	168	80	224	4	19.0	152.4
4"	100	54	115	184	104	220	8	19.0	190.5
6"	150	86	145	224	152	225	8	22.0	241.3
8"	200	92	170	280	217	225	8	22.0	292.0