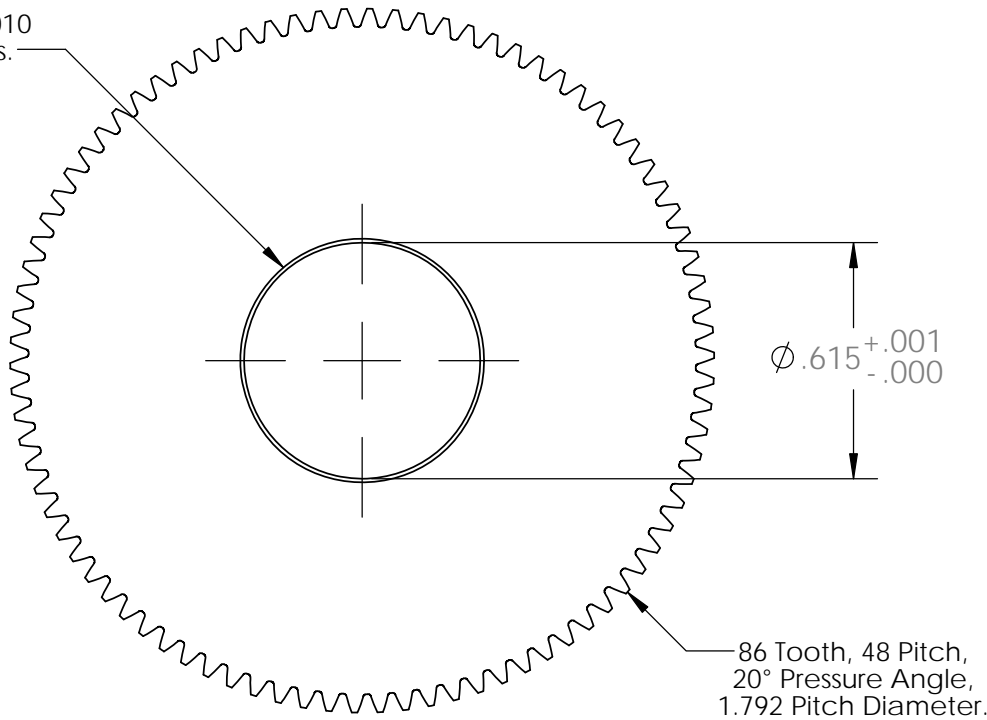


Chamfer .010  
Both Sides.



.187±.003

Formerly # 1703-86.

REV	DESCRIPTION	DATE	UNLESS OTHERWISE SPECIFIED:	86T, 20°PA Gear		<b>Tiny-Clutch</b> <b>Helander Products, Inc.</b> Clinton, Connecticut <a href="http://www.TinyClutch.com">www.TinyClutch.com</a> P = 860-669-7953   F = 860-669-6756		
			DIMENSIONS ARE IN INCHES TOLERANCES: FRACTIONAL ±.010 TWO PLACE DECIMAL ±.010 THREE PLACE DECIMAL ±.005	DRAWN BY: P3		SIZE	DWG. NO.	REV
			PROPRIETARY AND CONFIDENTIAL THE INFORMATION CONTAINED IN THIS DRAWING IS THE SOLE PROPERTY OF HELANDER PRODUCTS, INC. ANY REPRODUCTION IN PART OR AS A WHOLE WITHOUT THE WRITTEN PERMISSION OF HELANDER PRODUCTS, INC. IS PROHIBITED.			MATERIAL: Aluminum 2024 T4		<b>A</b>
						SCALE: 2:1	DATE: 9/28/2012	SHEET 1 OF 1