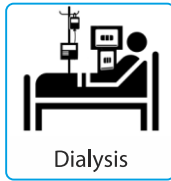
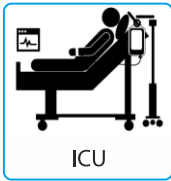


# DS-215 Bed Scale



*Portable Bed Scale, ideal for Weighment in the Healthcare Industry*



## Technical Specification

Capacity	200 kg
Accuracy / Readability	100 g
Keys	5 keys
Battery	6 V/4 Ah
Display	20 mm Large Green LED Display
Functions	Tare, Digital Tare & Pause

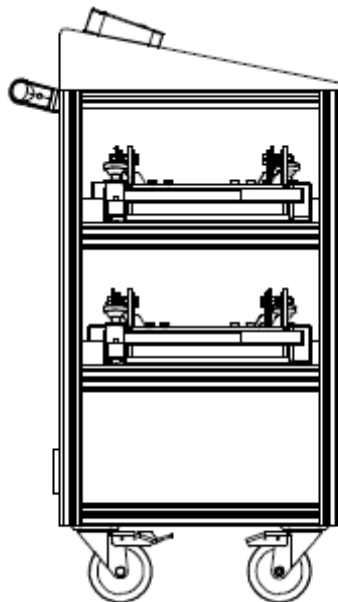
## Load Cell Kit

- 4 x Integrated lifting mechanism
- MOC : MS Powder Coated
- Dimension : 330 (L) x 234 (W) x 152 (H) mm

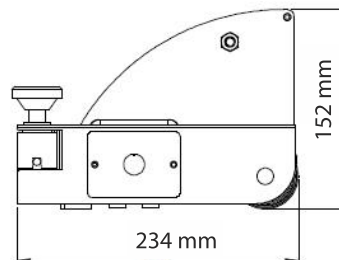
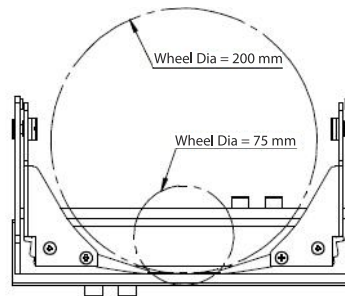
## Trolley

- Mobile Trolley with Integrated Display & Charger
- Wheel with brakes
- Light Weight
- MOC : Aluminum
- Minimum : 75 mm
- Maximum : 200 mm
- Maximum Thickness : 90 mm

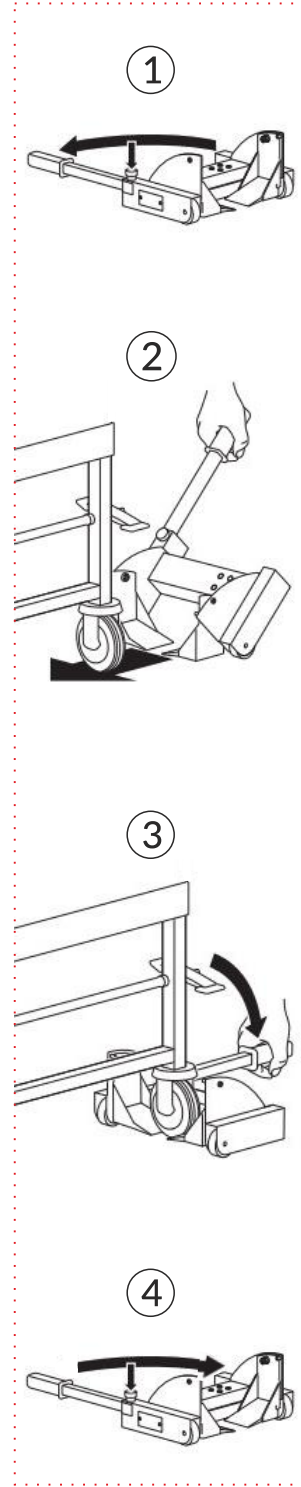
## Castor Wheel Dimensions (Dia)



Trolley



Load Cell kit



Operation