

# SOLENOID VALVE - G1/4

## DP1 Series

Cat No DP1 - 01 - 01

### SOLENOID VALVE - G1/4

#### Features

- ❑ Diaphragm operated poppet seat
- ❑ No lubrication required
- ❑ Maintenance free
- ❑ Wide range of coil voltages
- ❑ Continuous duty cycle
- ❑ Good flow characteristics
- ❑ Coil can be rotated by 360°
- ❑ Suitable for dirty / dusty environment



#### Technical Specifications

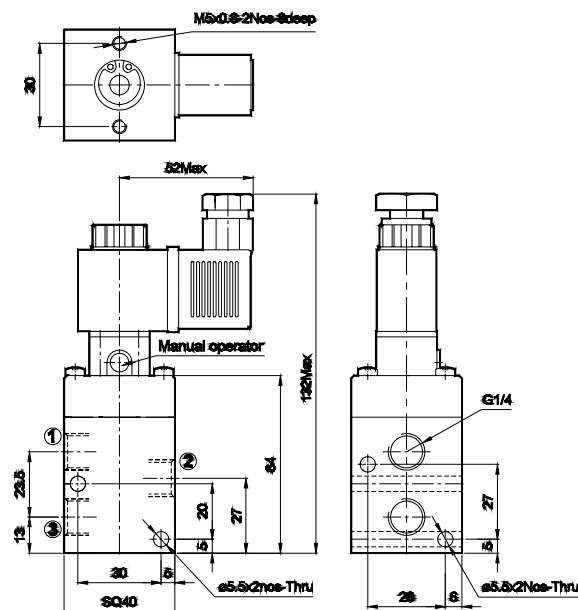
Model	DP1	
Type	3/2	5/2
Port size	Inlet (1), Outlet (2,4), Exhaust (3,5) - G1/4	
Ambient Temperature	60°C Max.	
Medium	Compressed air	
Operating pressure range (bar)	2 - 10 bar	
Orifice (NW)	6	
Flow rate <sup>®</sup> (lpm)	1000	1000
<b>Electrical</b>		
Coil width	22 mm	
Voltage (V) ± 10%	AC ( 50 Hz ) 24, 48, 110, 220	DC 12, 24, 48, 110
Power consumption	6 VA	5 W
Duty cycle	Continuous	
Class of insulation	Class F	
Type of coil protection	IP65	
Materials of construction	Aluminium, Brass, Stainless steel, Nitrile	

<sup>®</sup> Inlet pressure 6 bar, and pressure drop 1 bar

#### Spare parts list

Ref. No.	Coil ( without socket )	Ordering no. for	
	Voltage (V)	AC 50Hz	DC
1	220	AC23A	Nil
	110	AC23B	DC24Q
	48	AC23D	DC24S
	24	AC23G	DC24W
	12	Nil	DC24R
2	Actuator assembly	SC3001	

### 3 / 2 Single solenoid pilot operated normally open valve with spring return



1 - Inlet, 2 - Outlet, 3 - Exhaust

Ordering No	DP135SR61
Symbol	

#### Caution:

To ensure proper functioning

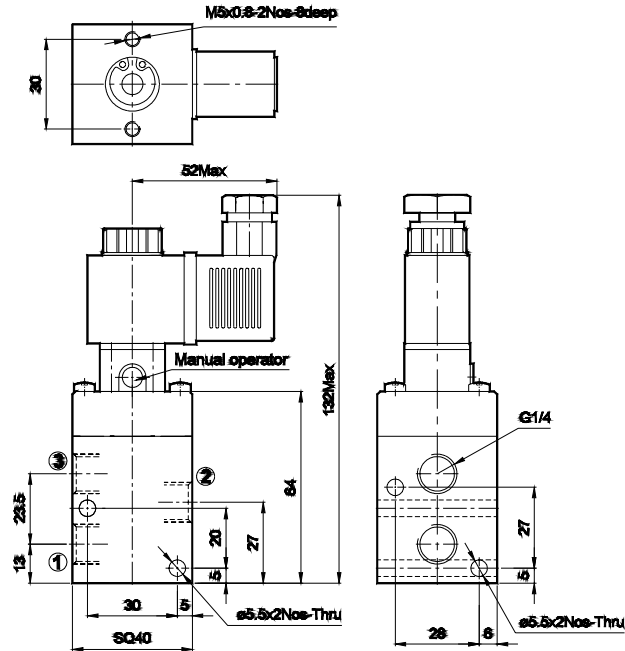
1. Please ensure that inlet port is connected to tubing of 6 mm ID minimum from the compressor air source.
2. Exhaust should not be restricted.

# SOLENOID VALVE - G1/4

## DP1 Series

Cat No DP1 - 01 - 01

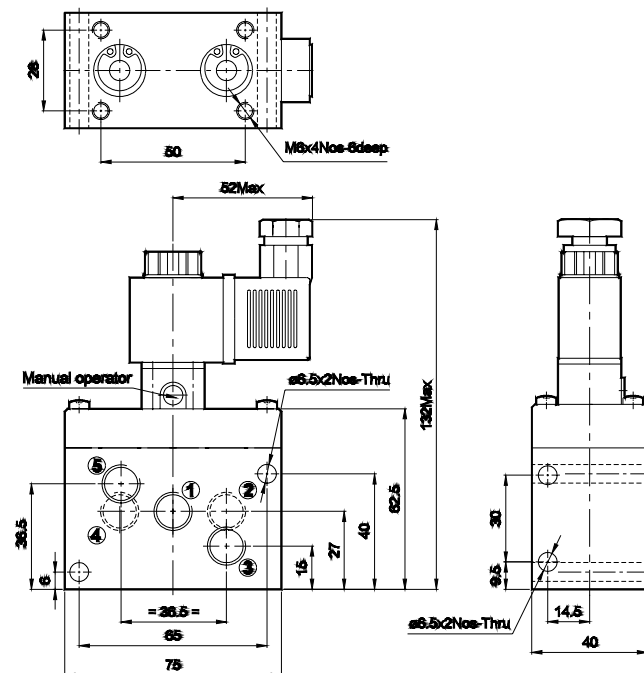
### 3 / 2 Single solenoid pilot operated normally closed valve with spring return



1 - Inlet, 2 - Outlet, 3 - Exhaust

Ordering No	DP145SR61
Symbol	

### 5 / 2 Single solenoid pilot operated valve with spring return



1 - Inlet, 2,4 - Outlet, 3,5 - Exhaust

Ordering No	DP155SR61
Symbol	

### How to order

While ordering Solenoid operated valves, please mention this suffix along with the model number to indicate the required voltage

A	220V AC	Q	110V DC
B	110V AC	S	48V DC
D	48V AC	W	24V DC
G	24V AC	R	12V DC

### Example

The ordering no. for 3/2 Single solenoid pilot operated Normally Open valve with 24V D.C coil is **DP135SR61-W**

Subject to change