

# COMPACT VALVE - 1/2

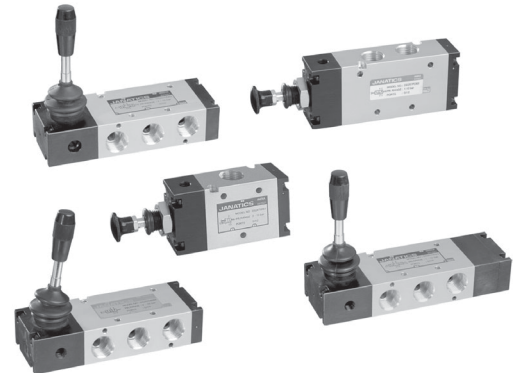
## Series DS2

Cat No DS2 - 01 - 05

### MANUALLY OPERATED VALVE - G1/2

#### Features

- ❑ Compact size
- ❑ Suitable for panel mounting
- ❑ Mounting provision for individual unit

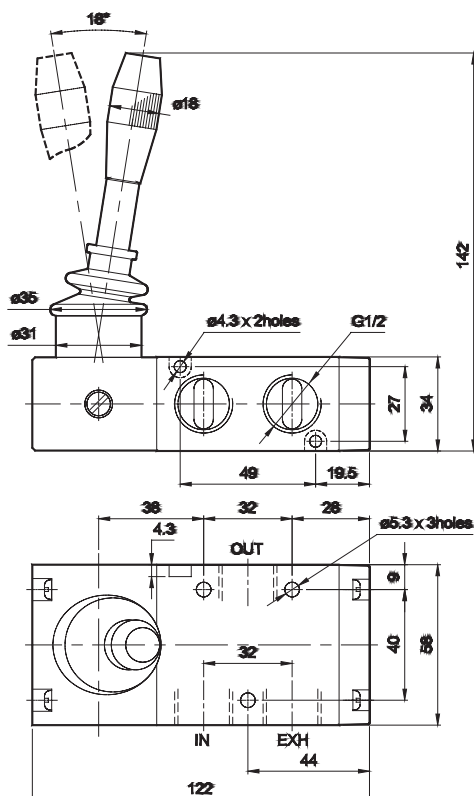


#### Technical Specifications

Model	DS2
Type	3/2, 5/2, 5/3
Design	Spool type
Port Size	Inlet, Outlet, Exhaust - G1/2
Medium	Compressed air - Dry, filtered, lubricated
Working Pressure range	2 - 10 bar
Recommended oil for lubrication	ISO VG32 (Servo system 32)
Ambient / Medium temperature	5° - 60° C
Flow <sup>®</sup>	3500 lts/min
Materials of construction	Aluminium, Nitrile, Brass, Acetal

@ Inlet pressure 6 bar, and pressure drop 1 bar

### 3 / 2 Hand lever operated valve with spring return



1 - Inlet, 2 - Outlet, 3 - Exhaust

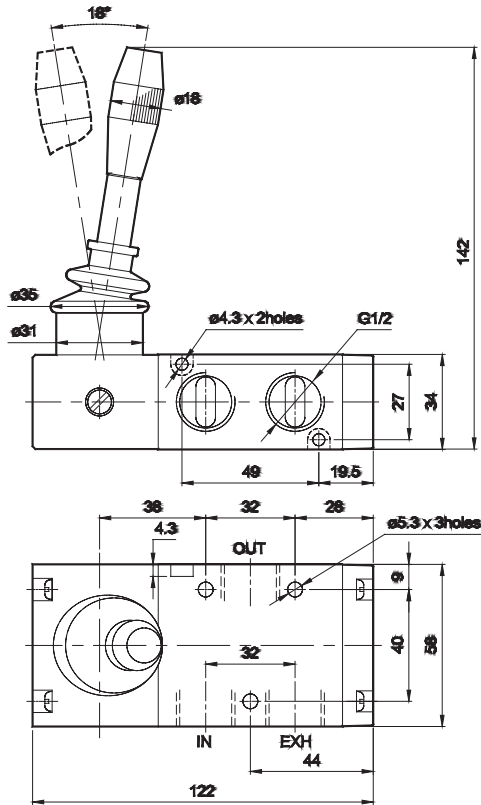
Ordering No	DS237HR63	DS247HR63
Type	Normally open	Normally closed
Symbol		

# COMPACT VALVE - 1/2

## Series DS2

Cat No DS2 - 01 - 05

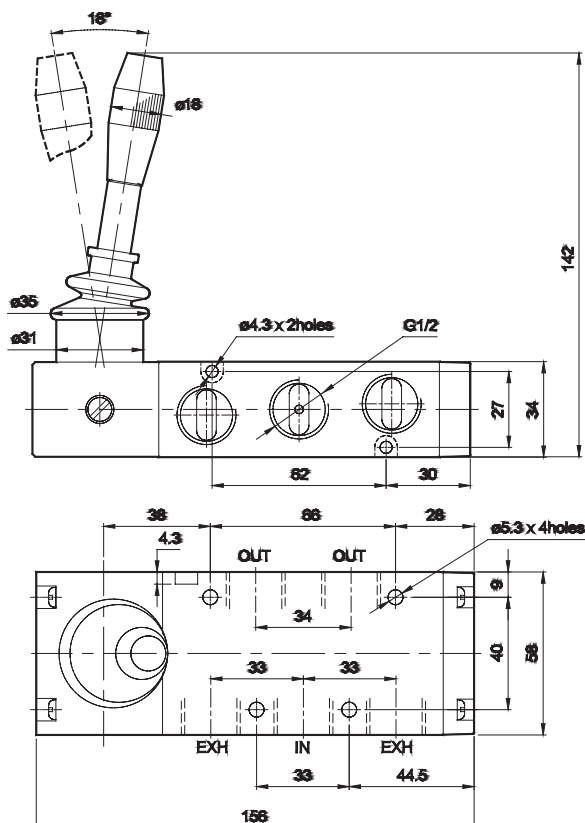
### 3 / 2 Hand lever operated valve with detent



1 - Inlet, 2 - Outlet, 3 - Exhaust

Ordering No	DS237HD63	DS247HD63
Type	Normally open	Normally closed
Symbol		

### 5 / 2 Hand lever operated valve with spring return



1 - Inlet, 2,4 - Outlet, 3,5 - Exhaust

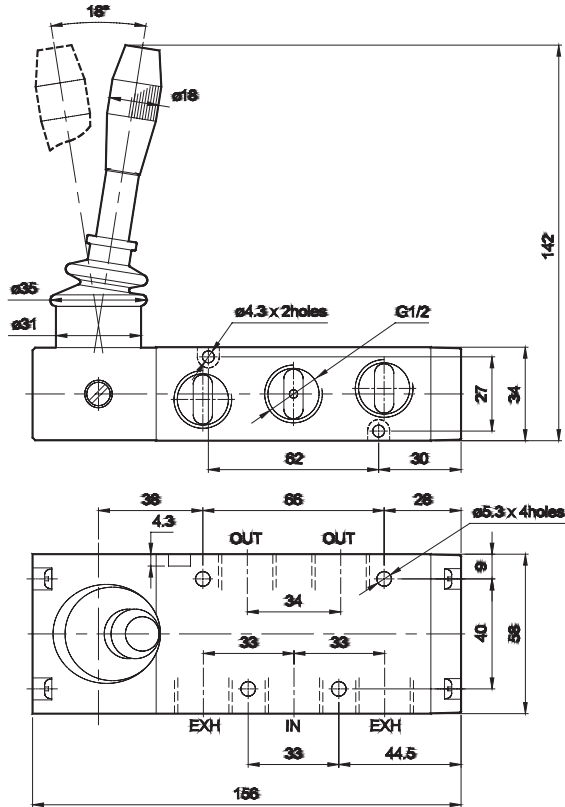
Ordering No	DS257HR63
Symbol	

# COMPACT VALVE - 1/2

## Series DS2

Cat No DS2 - 01 - 05

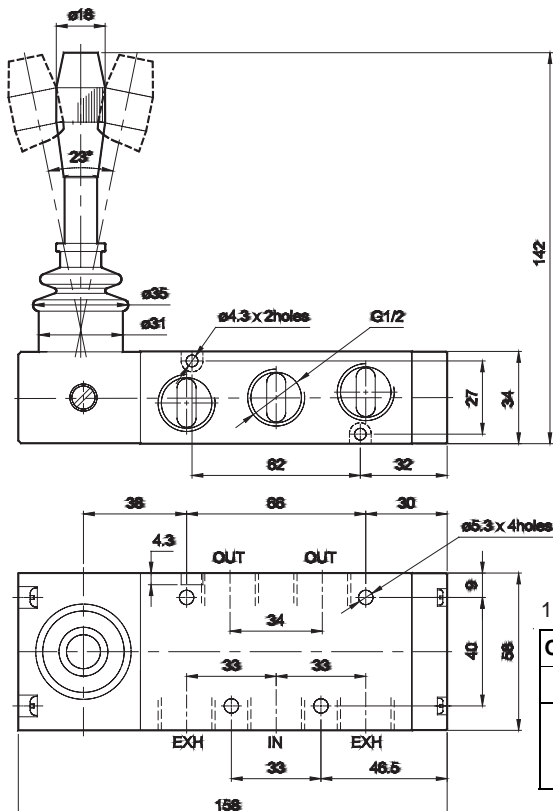
### 5 / 2 Hand lever operated valve with detent



1 - Inlet, 2,4 - Outlet, 3,5 - Exhaust

Ordering No	DS257HD63
Symbol	

### 5 / 3 Hand lever operated valve with detent



1 - Inlet, 2,4 - Outlet, 3,5 - Exhaust,

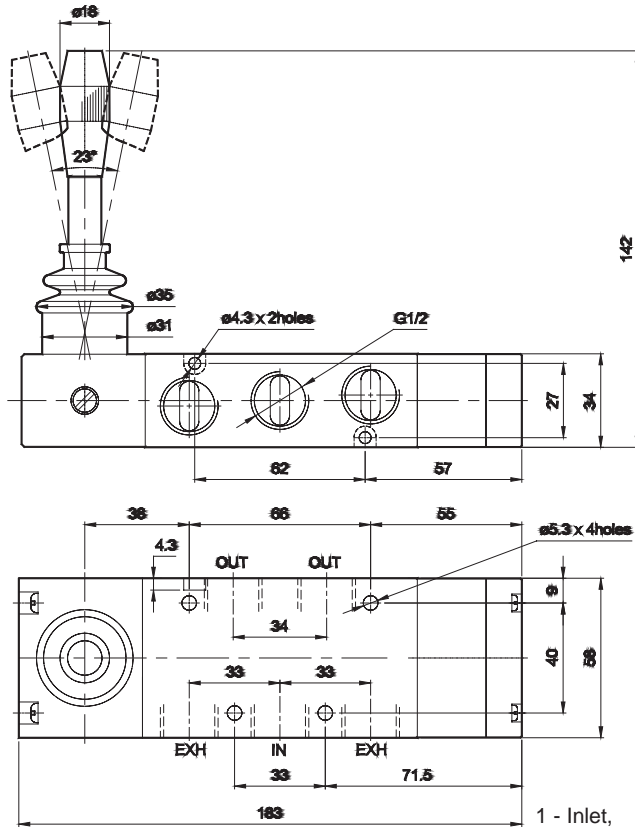
Ordering No	DS267HD63	DS277HD63	DS287HD63
Type	Blocked	Exhausted	Energised
Symbol			

# COMPACT VALVE - 1/2

## Series DS2

Cat No DS2 - 01 - 05

### 5 / 3 Hand lever operated valve with spring centered

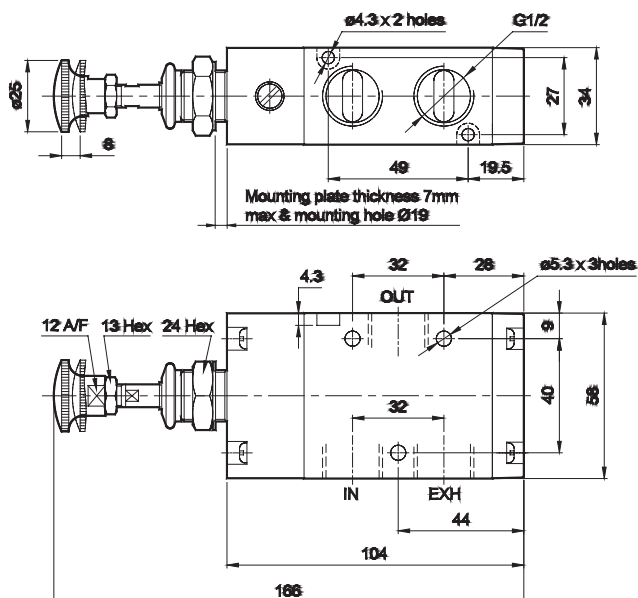


1 - Inlet, 2,4 - Outlet, 3,5 - Exhaust

Ordering No	DS267HC63	DS277HC63	DS287HC63
Type	Blocked	Exhausted	Energised
Symbol			

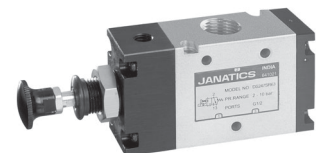


### 3 / 2 Push Pull operated valve with spring return



1 - Inlet, 2 - Outlet, 3 - Exhaust

Ordering No	DS237PR63	DS247PR63
Type	Normally open	Normally closed
Symbol		

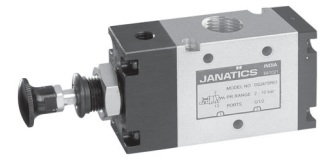
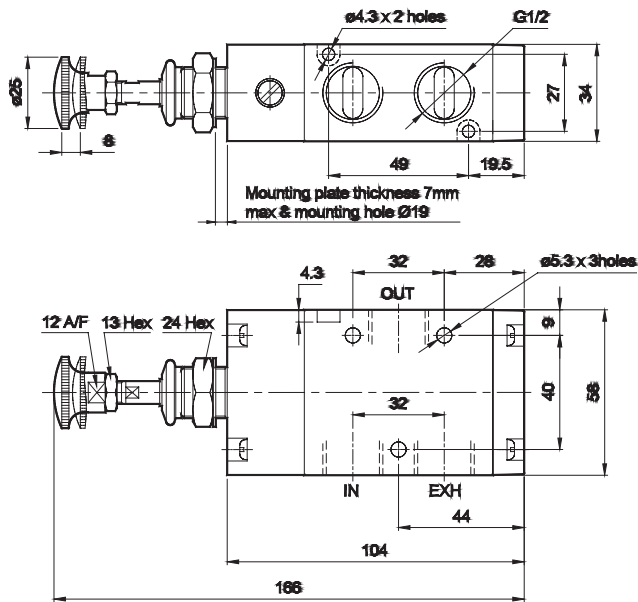


# COMPACT VALVE - 1/2

## Series DS2

Cat No DS2 - 01 - 05

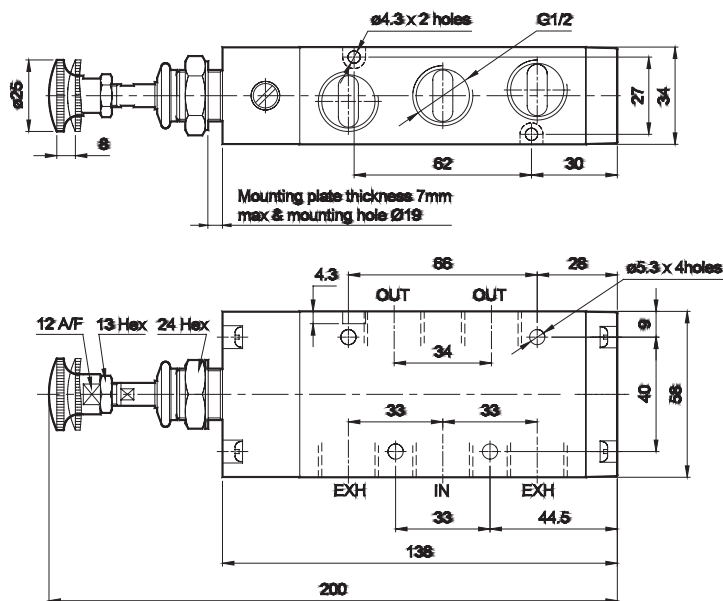
### 3 / 2 Push Pull operated valve with detent



1 - Inlet, 2 - Outlet, 3 - Exhaust

Ordering No	DS237PD63	DS247PD63
Type	Normally open	Normally closed
Symbol		

### 5 / 2 Push Pull operated valve with spring return



1 - Inlet, 2,4 - Outlet, 3,5 - Exhaust

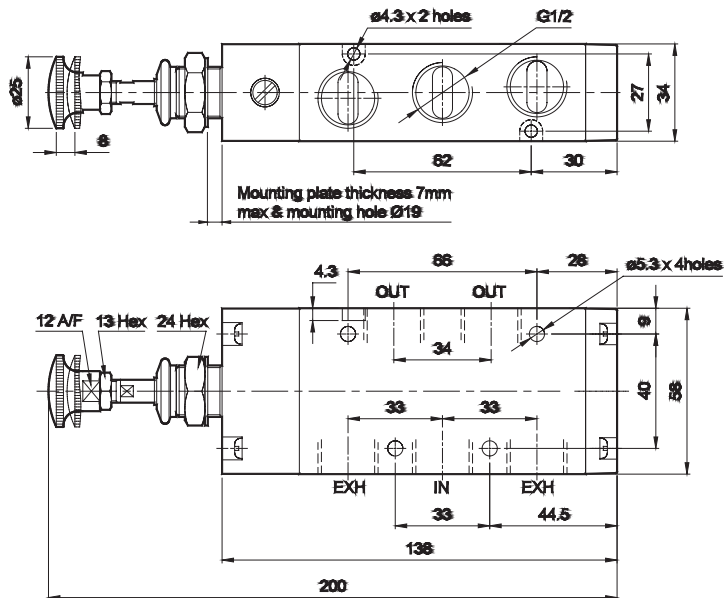
Ordering No	DS257PR63
Symbol	

# COMPACT VALVE - 1/2

## Series DS2

Cat No DS2 - 01 - 05

### 5 / 2 Push Pull operated valve with detent



1 - Inlet, 2,4 - Outlet, 3,5 - Exhaust

Ordering No	DS257PD63
Symbol	