

COMPACT VALVE - 1/8

Series DS2

Cat No DS2 - 01 - 11

MANUALLY OPERATED VALVE - G1/8

Features

- ❑ Compact size
- ❑ Suitable for panel mounting
- ❑ Mounting provision for individual unit

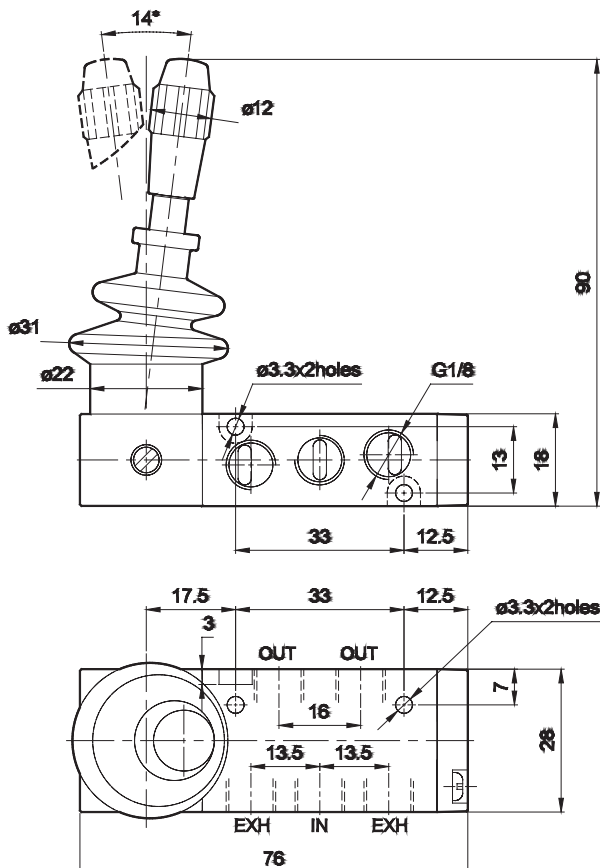


Technical Specifications

Model	DS2
Type	3/2, 5/2
Design	Spool type
Port Size	Inlet, Outlet, Exhaust - G1/2
Medium	Compressed air - Dry, filtered, lubricated
Working Pressure range	2 - 10 bar
Recommended oil for lubrication	ISO VG32 (Servo system 32)
Ambient / Medium temperature	5° - 60° C
Flow ®	450 lts/min
Materials of construction	Aluminium, Nitrile, Brass, Acetal

@ Inlet pressure 6 bar, and pressure drop 1 bar

5 / 2 Hand lever operated valve with spring return



1 - Inlet, 2,4 - Outlet, 3,5 - Exhaust

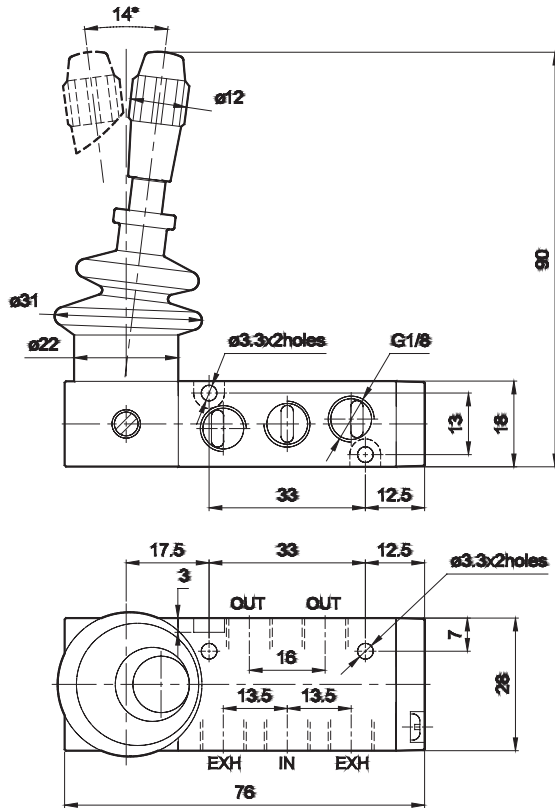
Ordering No	DS254HR60
Symbol	

COMPACT VALVE - 1/8

Series DS2

Cat No DS2 - 01 - 11

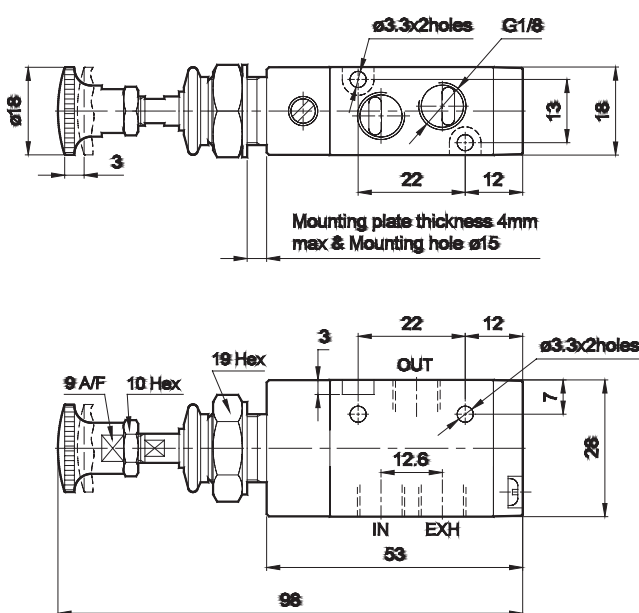
5 / 2 Hand lever operated valve with detent



1 - Inlet, 2,4 - Outlet, 3,5 - Exhaust

Ordering No	DS254HD60
Symbol	

3 / 2 Push Pull operated valve with spring return



1 - Inlet, 2 - Outlet, 3 - Exhaust

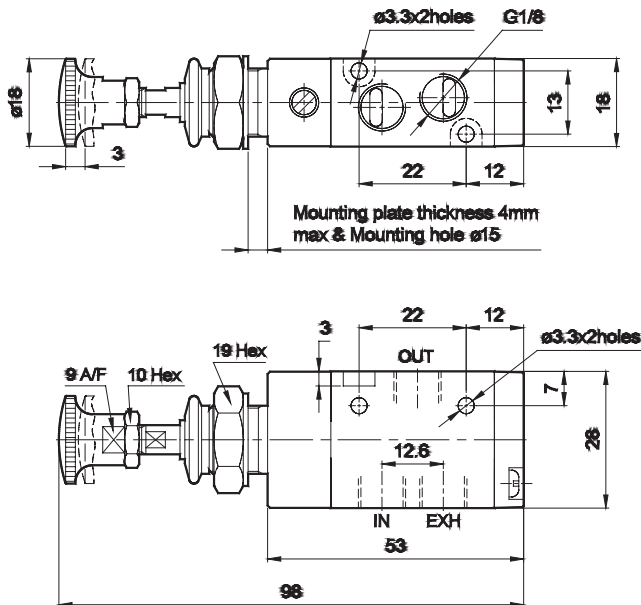
Ordering No	DS234PR60	DS244PR60
Type	Normally open	Normally closed
Symbol		

COMPACT VALVE - 1/8

Series DS2

Cat No DS2 - 01 - 11

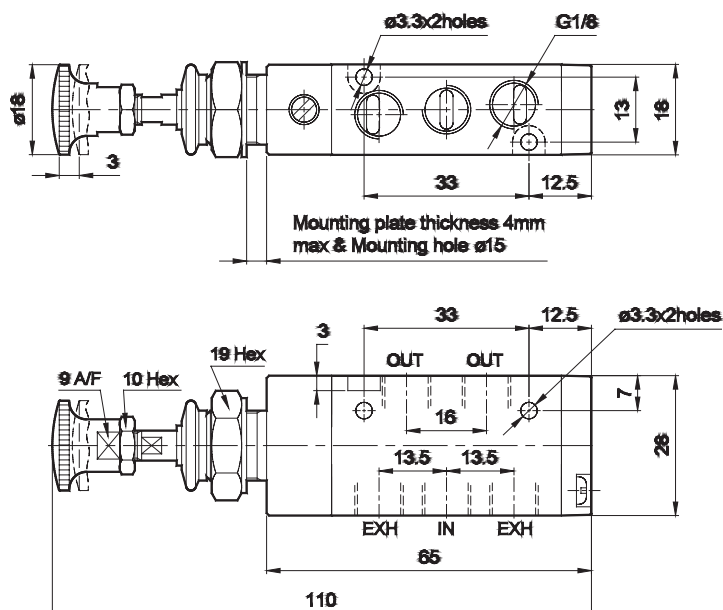
3 / 2 Push Pull operated valve with detent



1 - Inlet, 2 - Outlet, 3 - Exhaust

Ordering No	DS234PD60	DS244PD60
Type	Normally open	Normally closed
Symbol		

5 / 2 Push Pull operated valve with spring return



1 - Inlet, 2,4 - Outlet, 3,5 - Exhaust

Ordering No	DS254PR60
Symbol	

