

# SOLENOID VALVE - G1/4

## J Series

Cat No J001 - 04

### 2 port 2 position direct acting normally closed valve

#### Features

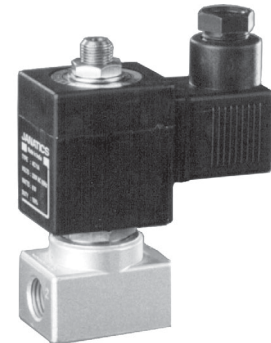
- ❑ Wide range of coil voltages.
- ❑ Continuous duty cycle.
- ❑ Low Temperature of operation
- ❑ Noiseless Performance
- ❑ Coil can be rotated by 360°.

#### Technical Specifications

<b>Model #</b>	<b>E12614</b>
Port size	Inlet, Outlet - G1/4
Ambient Temperature	60°C Max.
Medium	Filtered compressed air
Orifice (NW)	3
Operating pressure (bar)	0 – 10 bar
Flow rate (lpm) *	250
<b>Electrical</b>	
Coil width	32 mm
Voltage (V) ± 10%	AC ( 50 Hz ) 24, 48, 110, 220
Power consumption (Watts)	6
Duty cycle	Continuous
Class of insulation	Class F
Type of coil protection	IP65
Materials of construction	Aluminium, Brass, Stainless steel, Nitrile

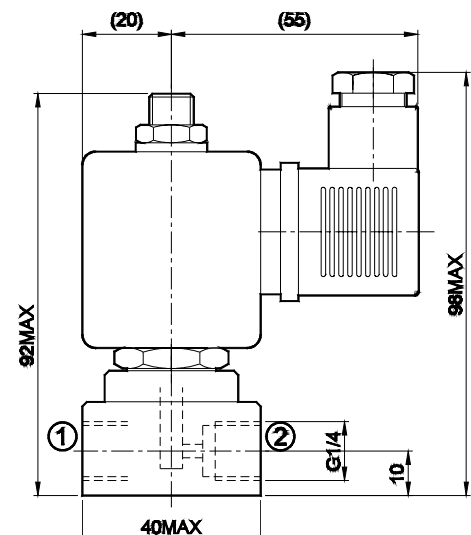
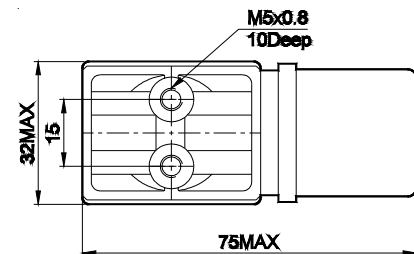
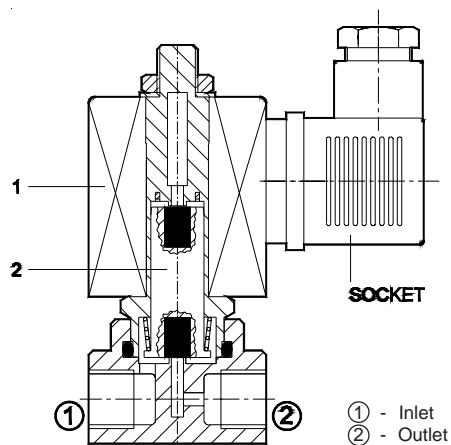
# For ordering refer page no.3.1.1

\* at 6 bar inlet, 5 bar outlet , with pressure drop +p = 1 bar



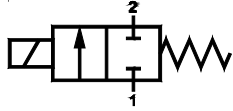
#### Spare parts list

Ref. No.	Coil ( without socket )		Ordering no. for
	Voltage	AC 50Hz	
1	220	AC11A	SSA0311
	110	AC11B	
	48	AC11D	
	24	AC11G	
2	<b>Moving core sub assembly complete</b> consists of 1. moving core subassembly 2. main spring		SSA0311



#### Caution:

A.C coil should not be used on a D.C coil valve, and vice versa.



# SOLENOID VALVE - G1/4

## J Series

Cat No J013 - 02

### 2 port 2 position direct acting normally closed valve

#### Features

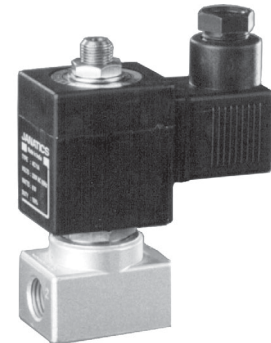
- ❑ Wide range of coil voltages.
- ❑ Continuous duty cycle.
- ❑ Low Temperature of operation
- ❑ Noiseless Performance
- ❑ Coil can be rotated by 360°.

#### Technical Specifications

Model #	E12613	E12612	E12611
Port size	Inlet, Outlet - G1/4		
Ambient Temperature	60°C Max.		
Medium	Filtered compressed air		
Orifice (NW)	2.5	2	1.2
Operating pressure (bar)	0 - 7	0 - 10	0 - 20
Flow rate (lpm) *	180	140	60
<b>Electrical</b>			
Coil width	32 mm		
Voltage (V) ± 10%	AC ( 50 Hz ) 24, 48, 110, 220	DC 12, 24, 48, 110, 220	
Power consumption (Watts)	6	8	
Duty cycle	Continuous		
Type of coil protection	IP65		
Class of insulation	Class F		
Materials of construction	Aluminium, Brass, Stainless steel, Nitrile		

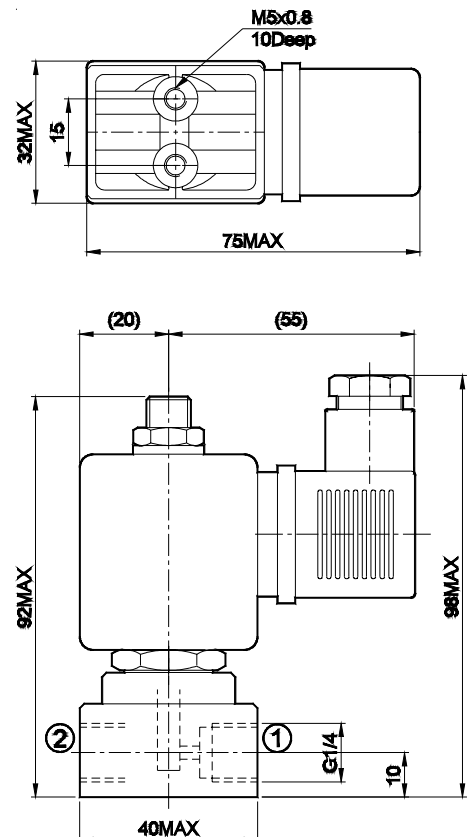
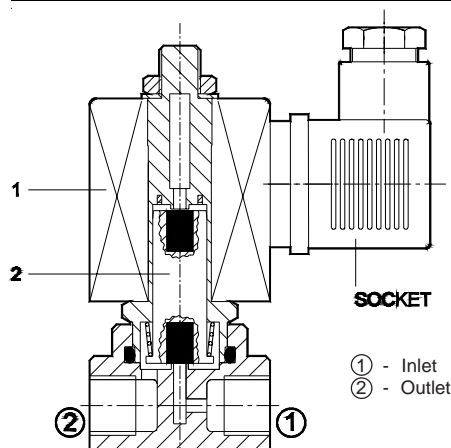
# For ordering refer page no.3.1.1

\* at 6 bar inlet, 5 bar outlet , with pressure drop +p = 1 bar



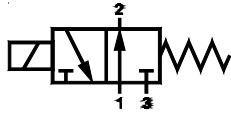
#### Spare parts list

Ref. No.	Coil ( without socket )	Ordering no. for	
	Voltage	AC 50Hz	DC
1	220	AC11A	DC12P
	110	AC11B	DC12Q
	48	AC11D	DC12S
	24	AC11G	DC12W
	12	- NA -	DC12R
2	<b>Moving core sub assembly complete</b> consists of 1. moving core subassembly 2. main spring	SSA0311	SSA0711



#### Caution:

A.C coil should not be used on a D.C coil valve, and vice versa.



# SOLENOID VALVE - G1/4

## J Series

Cat No J002 - 04

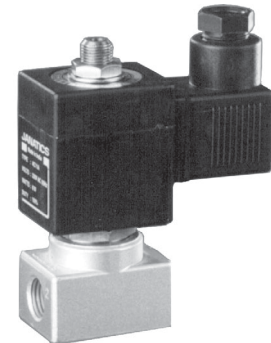
### 3 port 2 position direct acting normally open valve

#### Features

- ❑ Wide range of coil voltages.
- ❑ Continuous duty cycle.
- ❑ Low Temperature of operation
- ❑ Noiseless Performance
- ❑ Coil can be rotated by 360°.

#### Technical Specifications

Model #	E13613	E13612	E13611
Port size	Inlet - G1/8, Outlet, Exhaust - G1/4		
Ambient Temperature	60°C Max.		
Medium	Filtered compressed air		
Orifice (NW)	2.5	2	1.2
Operating pressure (bar)	0 - 7	0 - 10	0 - 20
Flow rate (lpm) *	180	140	60
<b>Electrical</b>			
Coil width	32 mm		
Voltage (V) ± 10%	AC ( 50 Hz ) 24, 48, 110, 220		
Power consumption (Watts)	6		
Duty cycle	Continuous		
Type of coil protection	IP65		
Class of insulation	Class F		
Materials of construction	Aluminium, Brass, Stainless steel, Nitrile		

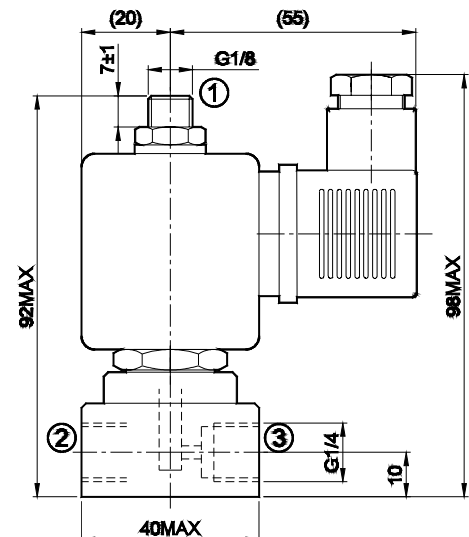
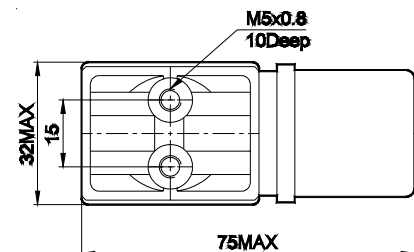
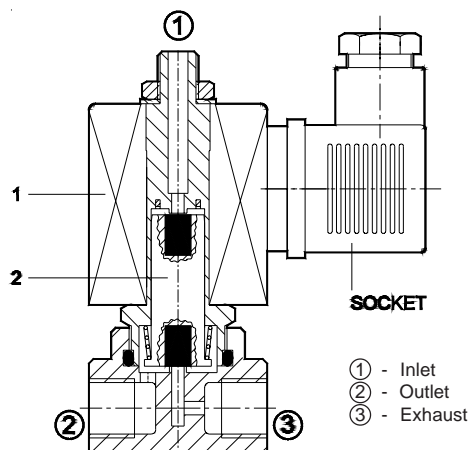


# For ordering refer page no.3.1.1

\* at 6 bar inlet, 5 bar outlet , with pressure drop +p = 1 bar

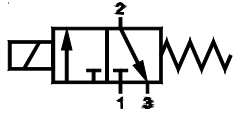
#### Spare parts list

Ref. No.	Coil ( without socket )	Ordering no. for
	Voltage	AC 50Hz
1	220	AC11A
	110	AC11B
	48	AC11D
	24	AC11G
	12	- NA -
2	<b>Moving core sub assembly complete</b> consists of 1. moving core subassembly 2. main spring	SSA0411



#### Caution:

A.C coil should not be used on a D.C coil valve, and vice versa.



# SOLENOID VALVE - G1/4

## J Series

Cat No J003 - 04

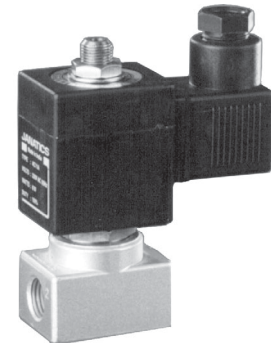
### 3 port 2 position direct acting normally closed valve

#### Features

- ❑ Wide range of coil voltages.
- ❑ Continuous duty cycle.
- ❑ Low Temperature of operation
- ❑ Noiseless Performance
- ❑ Coil can be rotated by 360°.

#### Technical Specifications

Model #	E14613	E14612	E14611
Port size	Inlet, Outlet - G1/4, Exhaust - G1/8		
Ambient Temperature	60°C Max.		
Medium	Filtered compressed air		
Orifice (NW)	2.5	2	1.2
Operating pressure (bar)	0 - 7	0 - 10	0 - 20
Flow rate (lpm) *	140	40	40
<b>Electrical</b>			
Coil width	32 mm		
Voltage (V) ± 10%	AC ( 50 Hz ) 24, 48, 110, 220	DC 12, 24, 48, 110, 220	
Power consumption (Watts)	6	8	
Duty cycle	Continuous		
Type of coil protection	IP65		
Class of insulation	Class F		
Materials of construction	Aluminium, Brass, Stainless steel, Nitrile		

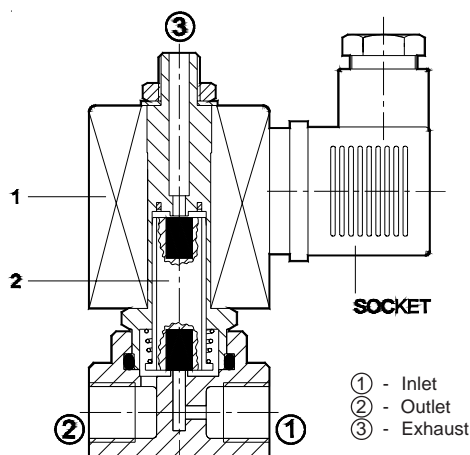
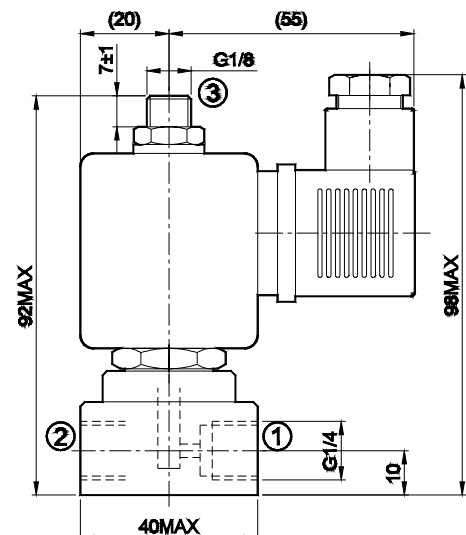
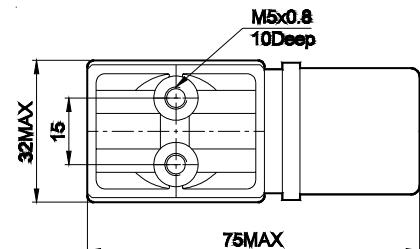


# For ordering refer page no.3.1.1

\* at 6 bar inlet, 5 bar outlet , with pressure drop +p = 1 bar

#### Spare parts list

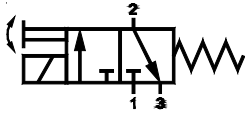
Ref. No.	Coil ( without socket )	Ordering no. for	
	Voltage	AC 50Hz	DC
1	220	AC11A	DC12P
	110	AC11B	DC12Q
	48	AC11D	DC12S
	24	AC11G	DC12W
	12	- NA -	DC12R
2	<b>Moving core sub assembly complete</b> consists of 1. moving core subassembly 2. main spring	SSA0311	SSA0711



- ① - Inlet
- ② - Outlet
- ③ - Exhaust

#### Caution:

A.C coil should not be used on a D.C coil valve, and vice versa.



# SOLENOID VALVE

## J Series

Cat No J004 - 04

### 3 port 2 position direct acting, normally closed, gang mounting valve

#### Features

- ❑ Gang mounting type ( Manifolds for gang mounting of 1, 2, 5 & 9. valves are available - for details refer next page )
- ❑ Wide range of coil voltages.
- ❑ Continuous duty cycle.
- ❑ Low Temperature of operation
- ❑ Noiseless Performance
- ❑ Manual operator ( Screw driver type )



#### Technical Specifications

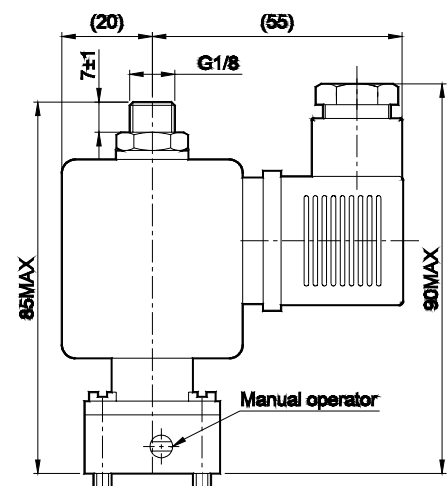
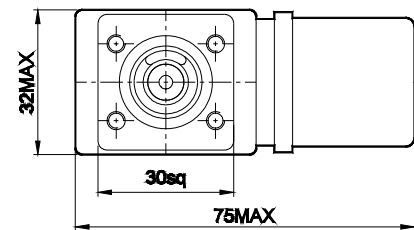
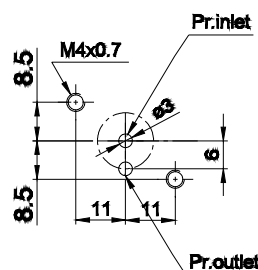
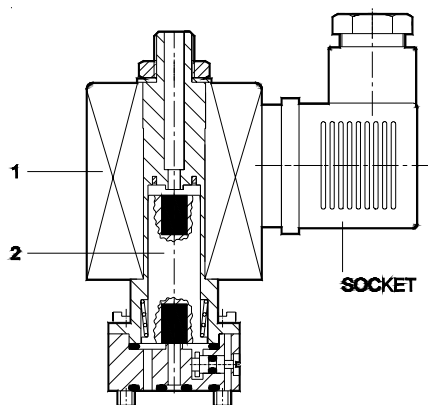
<b>Model #</b>	<b>E24002</b>	
Port size	Exhaust G1/8	
Ambient Temperature	60°C Max.	
Medium	Filtered compressed air	
Orifice (NW)	2	
Operating pressure range (bar)	0 - 10	
Flow rate (lpm) *	140	
<b>Electrical</b>		
Coil width	32 mm	
Voltage (V) ± 10%	AC ( 50 Hz ) 24, 48, 110, 220	DC 12, 24, 48, 110, 220
Power consumption (Watts)	6	8
Duty cycle	Continuous	
Type of coil protection	IP65	
Class of insulation	Class F	
Materials of construction	Aluminium, Brass, Stainless steel, Nitrile	

# For ordering refer page no.3.1.1

\* at 6 bar inlet, 5 bar outlet , with pressure drop +p = 1 bar

#### Spare parts list

Ref. No.	Coil ( without socket )	Ordering no. for	
	Voltage	AC 50Hz	DC
1	220	AC11A	DC12P
	110	AC11B	DC12Q
	48	AC11D	DC12S
	24	AC11G	DC12W
	12	- NA -	DC12R
2	<b>Moving core sub assembly complete</b> consists of 1. moving core subassembly 2. main spring	SSA0311	SSA0711

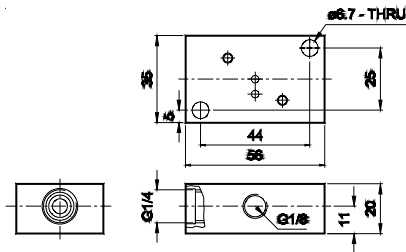


#### Caution:

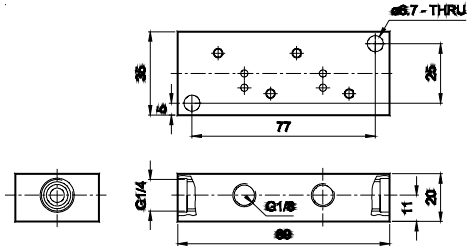
A.C coil should not be used on a D.C coil valve, and vice versa.

## Manifold for Gang Mounting

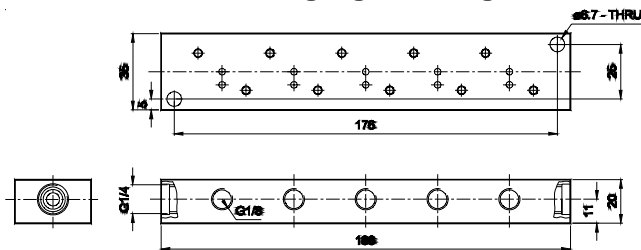
### Manifold to mount single gang mounting valve



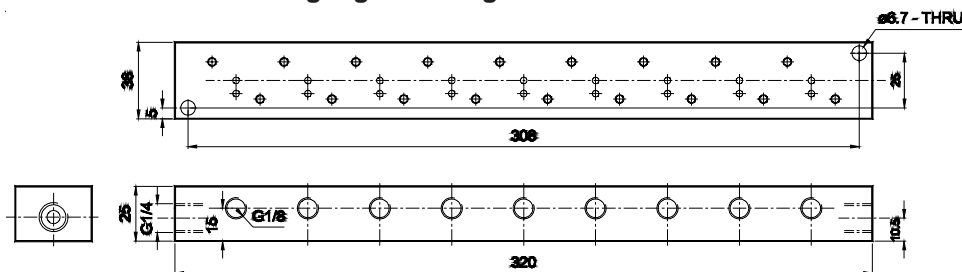
### Manifold to mount two gang mounting valves



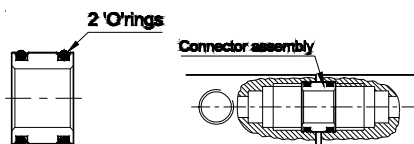
### Manifold to mount five gang mounting valves



### Manifold to mount nine gang mounting valves



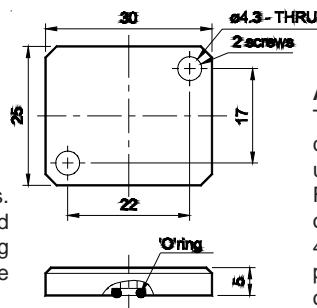
### Connector assembly



#### Application:

These connector assemblies can be used to connect two manifolds. For eg., 2 no's of manifolds to Model no. 42080 can be connected together to mount two valves of Model no. E24002 (Gang mounting valve). The connector assembly cannot be assembled on to the manifold 42312 ( nine valve type ).

### Cover plate assembly



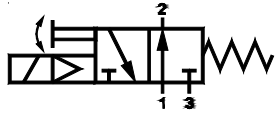
#### Application:

These cover plate assemblies can be used to plug the unutilised position in a manifold. For eg., if it is required to mount only 4 valves on manifold no. 42069, the fifth position can be plugged and made dummy using one cover plate assembly.

## How to order

To order mention the respective Ordering no's given below

Part Name	Ordering no.
Manifold for one Valve	42080
Manifold for two valves	42070
Manifold for five valves	42069
Manifold for nine valves	42312
Connector assembly	MS001
Cover plate assembly	MS002



# SOLENOID VALVE - G1/4

## J Series

Cat No J005 - 04

### 3 port 2 position pilot operated normally open valve

#### Features

- ❑ Diaphragm operated poppet seat type.
- ❑ Wide range of coil voltages.
- ❑ Continuous duty cycle.
- ❑ Low temperature of operation.
- ❑ Manual operated ( screw driver type ).
- ❑ Noiseless performance.
- ❑ Good flow characteristics.

#### Technical Specifications

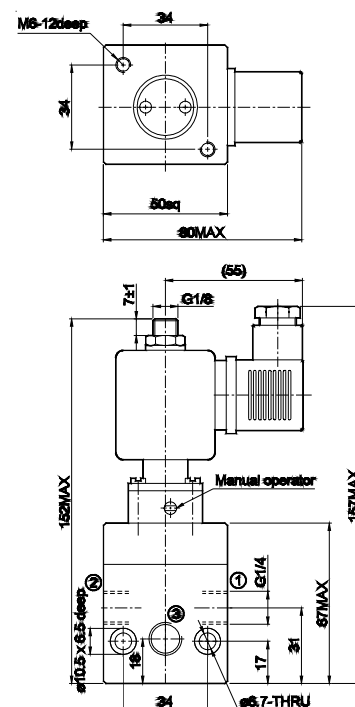
<b>Model #</b>	<b>EL13615</b>	
Port size	Inlet, Outlet, Exhaust - G1/4	
Ambient Temperature	60°C Max.	
Medium	Filtered compressed air	
Orifice (NW)	6	
Operating pressure range (bar)	2 - 10	
Cv value	0.65	
Flow rate (lpm) *	650	
<b>Electrical</b>		
Coil width	32 mm	
Voltage (V) ± 10%	AC ( 50 Hz ) 24, 48, 110, 220	DC 12, 24, 48, 110, 220
Power consumption (Watts)	6	8
Duty cycle	Continuous	
Type of coil protection	IP65	
Class of insulation	Class F	
Materials of construction	Aluminium, Brass, Stainless steel, Nitrile	

# For ordering refer page no.3.1.1

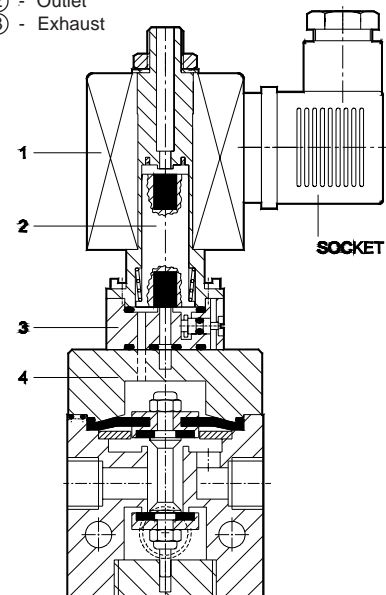
\* at 6 bar inlet, 5 bar outlet , with pressure drop +p = 1 bar

#### Spare parts list

Ref. No.	Coil ( without socket )	Ordering no. for	
		AC	DC
1	220	AC11A	DC12P
	110	AC11B	DC12Q
	48	AC11D	DC12S
	24	AC11G	DC12W
	12	- NA -	DC12R
2	<b>Moving core sub assembly complete</b> consists of 1. moving core subassembly 2. main spring	SSA0311	SSA0711
3	<b>Solenoid valve sub assembly complete</b> ( without coil ) Consists of 1. Solenoid valve sub assembly 2. Screws – 2 no's 3. 'O'rings – 2 no's	E24001-A	E24001-D
	<b>Seal kit</b> consists of all rubber items for the main valve (4)	SK3611	



- ① - Inlet
- ② - Outlet
- ③ - Exhaust



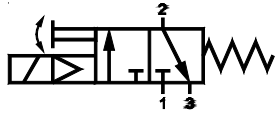
#### Caution:

##### A. To ensure proper functioning

1. Please ensure that inlet port is connected to tubing of 6 mm ID minimum from the compressor air source.
2. Exhaust should not be restricted.

##### B. A.C coil should not be used on a D.C coil valve, and vice versa.





# SOLENOID VALVE - G1/4

## J Series

Cat No J006 - 04

### 3 port 2 position pilot operated normally closed valve

#### Features

- ❑ Diaphragm operated poppet seat type.
- ❑ Wide range of coil voltages.
- ❑ Continuous duty cycle.
- ❑ Low temperature of operation.
- ❑ Manual operated ( screw driver type ).
- ❑ Noiseless performance.
- ❑ Good flow characteristics.

#### Technical Specifications

<b>Model #</b>	<b>EL14615</b>	
<b>Port size</b>	Inlet, Outlet, Exhaust - G1/4	
<b>Ambient Temperature</b>	60°C Max.	
<b>Medium</b>	Filtered compressed air	
<b>Orifice (NW)</b>	6	
<b>Operating pressure range (bar)</b>	2 – 10	
<b>Cv value</b>	0.65	
<b>Flow rate (lpm) *</b>	650	
<b>Electrical</b>		
<b>Coil width</b>	32 mm	
<b>Voltage (V) ± 10%</b>	AC ( 50 Hz ) 24, 48, 110, 220	DC 12, 24, 48, 110, 220
<b>Power consumption (Watts)</b>	6	8
<b>Duty cycle</b>	Continuous	
<b>Type of coil protection</b>	IP65	
<b>Class of insulation</b>	Class F	
<b>Materials of construction</b>	Aluminium, Brass, Stainless steel, Nitrile	

# For ordering refer page no.3.1.1

\* at 6 bar inlet, 5 bar outlet , with pressure drop +p = 1 bar

#### Spare parts list

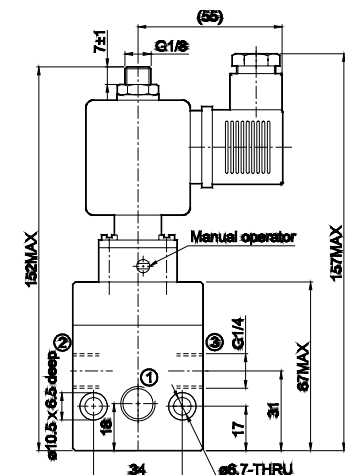
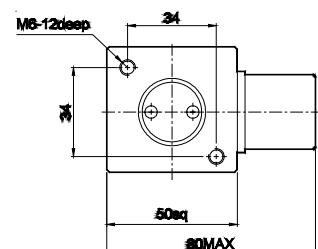
Ref. No.	Coil ( without socket )	Ordering no. for	
		AC	DC
1	220	AC11A	DC12P
	110	AC11B	DC12Q
	48	AC11D	DC12S
	24	AC11G	DC12W
	12	- NA -	DC12R
2	<b>Moving core sub assembly complete</b> consists of 1. moving core subassembly 2. main spring	SSA0311	SSA0711
3	<b>Solenoid valve sub assembly complete</b> ( without coil ) Consists of 1. Solenoid valve sub assembly 2. Screws – 2 no's 3. 'O' rings – 2 no's	E24001-A	E24001-D
	<b>Seal kit</b> consists of all rubber items for the main valve (4)	SK3611	

#### Caution:

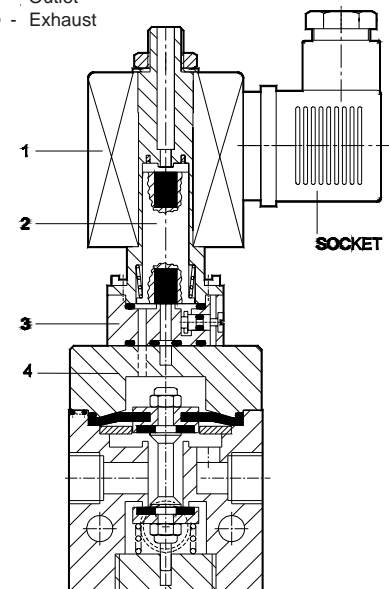
##### A. To ensure proper functioning

1. Please ensure that inlet port is connected to tubing of 6 mm ID minimum from the compressor air source.
2. Exhaust should not be restricted.

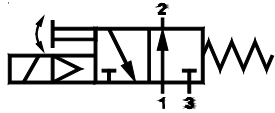
##### B. A.C coil should not be used on a D.C coil valve, and vice versa.



- ① - Inlet
- ② - Outlet
- ③ - Exhaust







# SOLENOID VALVE - G1/2

## J Series

Cat No J007 - 04

### 3 port 2 position pilot operated normally open valve

#### Features

- ❑ Diaphragm operated poppet seat type.
- ❑ Wide range of coil voltages.
- ❑ Continuous duty cycle.
- ❑ Low temperature of operation.
- ❑ Manual operated ( screw driver type ).
- ❑ Noiseless performance.
- ❑ Good flow characteristics.

#### Technical Specifications

<b>Model #</b>	<b>EL13637</b>	
<b>Port size</b>	Inlet, Outlet, Exhaust - G1/2	
<b>Ambient Temperature</b>	60°C Max.	
<b>Medium</b>	Filtered compressed air	
<b>Orifice (NW)</b>	12	
<b>Operating pressure range (bar)</b>	2 - 10	
<b>Cv value</b>	3	
<b>Flow rate (lpm) *</b>	3000	
<b>Electrical</b>		
<b>Coil width</b>	32 mm	
<b>Voltage (V) ± 10%</b>	AC ( 50 Hz ) 24, 48, 110, 220	DC 12, 24, 48, 110, 220
<b>Power consumption (Watts)</b>	6	8
<b>Duty cycle</b>	Continuous	
<b>Type of coil protection</b>	IP65	
<b>Class of insulation</b>	Class F	
<b>Materials of construction</b>	Aluminium, Brass, Stainless steel, Nitrile	

# For ordering refer page no.3.1.1

\* at 6 bar inlet, 5 bar outlet , with pressure drop +p = 1 bar

#### Spare parts list

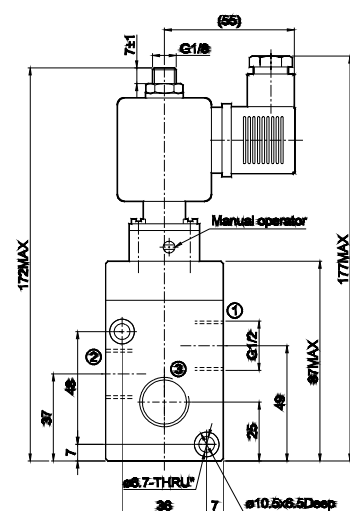
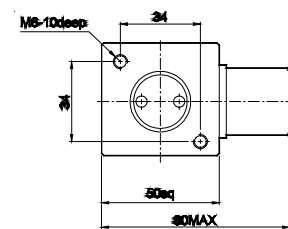
Ref. No.	Coil ( without socket )	Ordering no. for	
		AC	DC
1	220	AC11A	DC12P
	110	AC11B	DC12Q
	48	AC11D	DC12S
	24	AC11G	DC12W
	12	- NA -	DC12R
2	<b>Moving core sub assembly complete</b> consists of 1. moving core subassembly 2. main spring	SSA0311	SSA0711
3	<b>Solenoid valve sub assembly complete</b> ( without coil ) Consists of 1. Solenoid valve sub assembly 2. Screws – 2 no's 3. 'O'rings – 2 no's	E24001-A	E24001-D
	<b>Seal kit</b> consists of all rubber items for the main valve (4)	SK3631	

#### Caution:

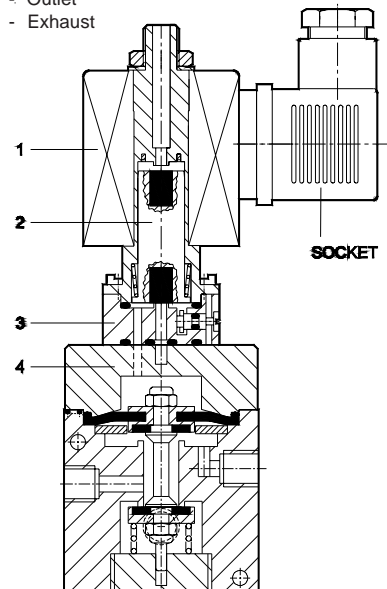
##### A. To ensure proper functioning

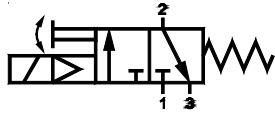
1. Please ensure that inlet port is connected to tubing of 10 mm ID minimum from the compressor air source.
2. Exhaust should not be restricted.

##### B. A.C coil should not be used on a D.C coil valve, and vice versa.



- ① - Inlet
- ② - Outlet
- ③ - Exhaust





# SOLENOID VALVE - G1/2

## J Series

Cat No J008 - 04

### 3 port 2 position pilot operated normally closed valve

#### Features

- ❑ Diaphragm operated poppet seat type.
- ❑ Wide range of coil voltages.
- ❑ Continuous duty cycle.
- ❑ Low temperature of operation.
- ❑ Manual operated ( screw driver type ).
- ❑ Noiseless performance.
- ❑ Good flow characteristics.

#### Technical Specifications

<b>Model #</b>	<b>EL14637</b>	
<b>Port size</b>	Inlet, Outlet, Exhaust - G1/2	
<b>Ambient Temperature</b>	60°C Max.	
<b>Medium</b>	Filtered compressed air	
<b>Orifice (NW)</b>	12	
<b>Operating pressure range (bar)</b>	2 - 10	
<b>Cv value</b>	3	
<b>Flow rate (lpm) *</b>	3000	
<b>Electrical</b>		
<b>Coil width</b>	32 mm	
<b>Voltage (V) ± 10%</b>	AC ( 50 Hz ) 24, 48, 110, 220	DC 12, 24, 48, 110, 220
<b>Power consumption (Watts)</b>	6	8
<b>Duty cycle</b>	Continuous	
<b>Type of coil protection</b>	IP65	
<b>Class of insulation</b>	Class F	
<b>Materials of construction</b>	Aluminium, Brass, Stainless steel, Nitrile	

# For ordering refer page no.3.1.1

\* at 6 bar inlet, 5 bar outlet , with pressure drop +p = 1 bar

#### Spare parts list

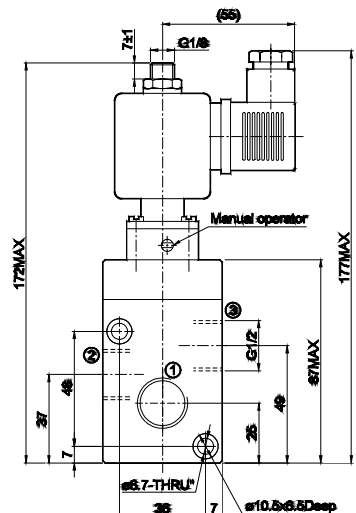
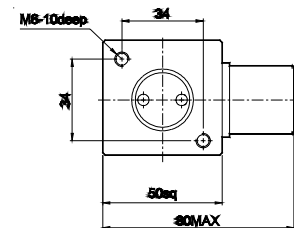
Ref. No.	Coil ( without socket )	Ordering no. for	
		AC	DC
1	220	AC11A	DC12P
	110	AC11B	DC12Q
	48	AC11D	DC12S
	24	AC11G	DC12W
	12	- NA -	DC12R
2	<b>Moving core sub assembly complete</b> consists of 1. moving core subassembly 2. main spring	SSA0311	SSA0711
3	<b>Solenoid valve sub assembly complete</b> ( without coil ) Consists of 1. Solenoid valve sub assembly 2. Screws – 2 no's 3. 'O'rings – 2 no's	E24001-A	E24001-D
	<b>Seal kit</b> consists of all rubber items for the main valve (4)	SK3631	

#### Caution:

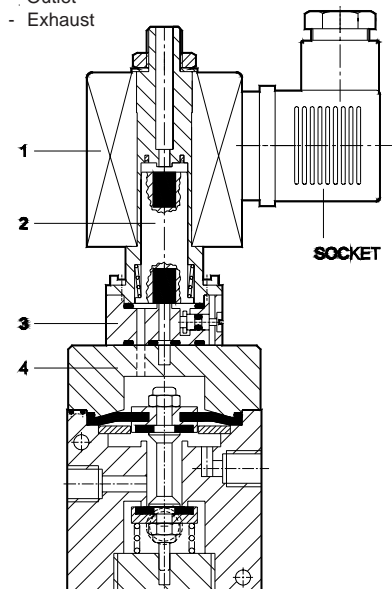
##### A. To ensure proper functioning

1. Please ensure that inlet port is connected to tubing of 10 mm ID minimum from the compressor air source.
2. Exhaust should not be restricted.

##### B. A.C coil should not be used on a D.C coil valve, and vice versa.



- ① - Inlet
- ② - Outlet
- ③ - Exhaust





# SOLENOID VALVE - G1/4

## J Series

Cat No J009 - 04

### 5 port 2 position single solenoid pilot operated valve

#### Features

- ❑ Diaphragm operated poppet seat type.
- ❑ Wide range of coil voltages.
- ❑ Continuous duty cycle.
- ❑ Low temperature of operation.
- ❑ Manual operated ( screw driver type ).
- ❑ Noiseless performance.
- ❑ Good flow characteristics.

#### Technical Specifications

<b>Model #</b>	<b>EL15615</b>	
<b>Port size</b>	Inlet, Outlet, Exhaust - G1/4	
<b>Ambient Temperature</b>	60°C Max.	
<b>Medium</b>	Filtered compressed air	
<b>Orifice (NW)</b>	6	
<b>Operating pressure range (bar)</b>	2 - 10	
<b>Cv value</b>	0.65	
<b>Flow rate (lpm) *</b>	650	
<b>Electrical</b>		
<b>Coil width</b>	32 mm	
<b>Voltage (V) ± 10%</b>	AC ( 50 Hz ) 24, 48, 110, 220	DC 12, 24, 48, 110, 220
<b>Power consumption (Watts)</b>	6	8
<b>Duty cycle</b>	Continuous	
<b>Type of coil protection</b>	IP65	
<b>Class of insulation</b>	Class F	
<b>Materials of construction</b>	Aluminium, Brass, Stainless steel, Nitrile	

# For ordering refer page no.3.1.1

\* at 6 bar inlet, 5 bar outlet , with pressure drop +p = 1 bar

#### Spare parts list

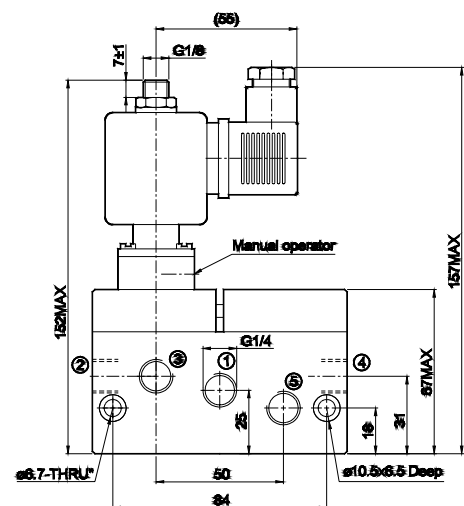
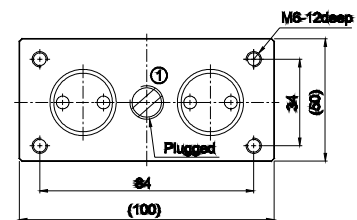
Ref. No.	Coil ( without socket )	Ordering no. for	
	Voltage	AC	DC
1	220	AC11A	DC12P
	110	AC11B	DC12Q
	48	AC11D	DC12S
	24	AC11G	DC12W
	12	- NA -	DC12R
2	<b>Moving core sub assembly complete</b> consists of 1. moving core subassembly 2. main spring	SSA0311	SSA0711
3	<b>Solenoid valve sub assembly complete</b> ( without coil ) Consists of 1. Solenoid valve sub assembly 2. Screws – 2 no's 3. 'O'rings – 2 no's	E24001-A	E24001-D
	<b>Seal kit</b> consists of all rubber items for the main valve (4)	SK5611	

#### Caution:

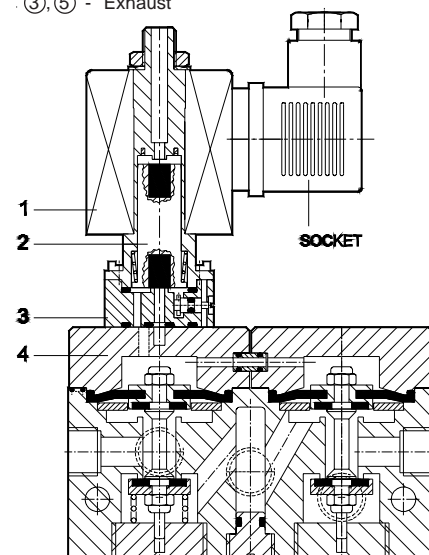
##### A. To ensure proper functioning

1. Please ensure that inlet port is connected to tubing of 6 mm ID minimum from the compressor air source.
2. Exhaust should not be restricted.

##### B. A.C coil should not be used on a D.C coil valve, and vice versa.



- ① - Inlet - 2 nos.
- ②, ④ - Outlet
- ③, ⑤ - Exhaust





# SOLENOID VALVE - G1/2

## J Series

Cat No J010 - 04

### 5 port 2 position single solenoid pilot operated valve

#### Features

- ❑ Diaphragm operated poppet seat type.
- ❑ Wide range of coil voltages.
- ❑ Continuous duty cycle.
- ❑ Low temperature of operation.
- ❑ Manual operated ( screw driver type ).
- ❑ Noiseless performance.
- ❑ Good flow characteristics.



#### Technical Specifications

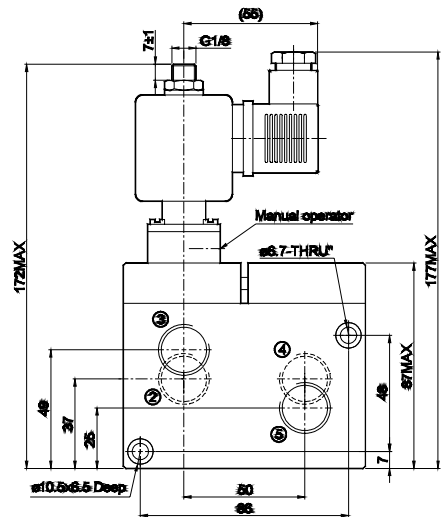
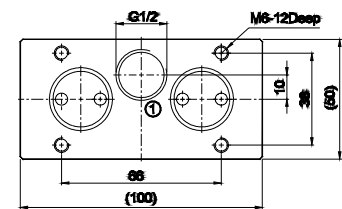
<b>Model #</b>	<b>EL15637</b>	
<b>Port size</b>	Inlet, Outlet, Exhaust - G1/2	
<b>Ambient Temperature</b>	60°C Max.	
<b>Medium</b>	Filtered compressed air	
<b>Orifice (NW)</b>	12	
<b>Operating pressure (bar)</b>	2 - 10	
<b>Cv value</b>	3	
<b>Flow rate (lpm) *</b>	3000	
<b>Electrical</b>		
<b>Coil width</b>	32 mm	
<b>Voltage (V) ± 10%</b>	AC ( 50 Hz ) 24, 48, 110, 220	DC 12, 24, 48, 110, 220
<b>Power consumption (Watts)</b>	6	8
<b>Duty cycle</b>	Continuous	
<b>Type of coil protection</b>	IP65	
<b>Class of insulation</b>	Class F	
<b>Materials of construction</b>	Aluminium, Brass, Stainless steel, Nitrile	

# For ordering refer page no.3.1.1

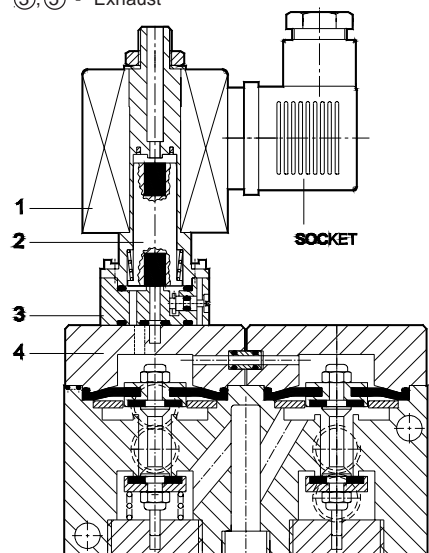
\* at 6 bar inlet, 5 bar outlet , with pressure drop +p = 1 bar

#### Spare parts list

Ref. No.	Coil ( without socket )	Ordering no. for	
		AC	DC
1	220	AC11A	DC12P
	110	AC11B	DC12Q
	48	AC11D	DC12S
	24	AC11G	DC12W
	12	- NA -	DC12R
2	<b>Moving core sub assembly complete</b> consists of 1. moving core subassembly 2. main spring	SSA0311	SSA0711
3	<b>Solenoid valve sub assembly complete</b> ( without coil ) Consists of 1. Solenoid valve sub assembly 2. Screws – 2 no's 3. 'O'rings – 2 no's	E24001-A	E24001-D
	<b>Seal kit</b> consists of all rubber items for the main valve (4)	SK5631	

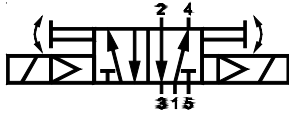


- ① - Inlet
- ②, ④ - Outlet
- ③, ⑤ - Exhaust



#### Caution:

- A. To ensure proper functioning**
1. Please ensure that inlet port is connected to tubing of 10 mm ID minimum from the compressor air source.
  2. Exhaust should not be restricted.
- B. A.C coil should not be used on a D.C coil valve, and vice versa.**



# SOLENOID VALVE - G1/4

## J Series

Cat No J011 - 04

### 5 port 2 position double solenoid pilot operated valve

#### Features

- ❑ Diaphragm operated poppet seat type.
- ❑ Wide range of coil voltages.
- ❑ Continuous duty cycle.
- ❑ Low temperature of operation.
- ❑ Manual operated ( screw driver type ).
- ❑ Noiseless performance.
- ❑ Good flow characteristics.

#### Technical Specifications

<b>Model #</b>	<b>EL25615</b>	
<b>Port size</b>	Inlet, Outlet, Exhaust - G1/4	
<b>Ambient Temperature</b>	60°C Max.	
<b>Medium</b>	Filtered, Lubricated compressed air	
<b>Orifice (NW)</b>	6	
<b>Operating pressure range (bar)</b>	2 – 10	
<b>Cv value</b>	0.65	
<b>Flow rate (lpm) *</b>	650	
<b>Electrical</b>		
<b>Coil width</b>	32 mm	
<b>Voltage (V) ± 10%</b>	AC ( 50 Hz ) 24, 48, 110, 220	DC 12, 24, 48, 110, 220
<b>Power consumption (Watts)</b>	6	8
<b>Duty cycle</b>	Continuous	
<b>Type of coil protection</b>	IP65	
<b>Class of insulation</b>	Class F	
<b>Materials of construction</b>	Aluminium, Brass, Stainless steel, Nitrile	

# For ordering refer page no.3.1.1

\* at 6 bar inlet, 5 bar outlet , with pressure drop +p = 1 bar

#### Spare parts list

Ref. No.	Coil ( without socket )	Ordering no. for	
		AC	DC
1	220	AC11A	DC12P
	110	AC11B	DC12Q
	48	AC11D	DC12S
	24	AC11G	DC12W
	12	- NA -	DC12R
2	<b>Moving core sub assembly complete</b> consists of 1. moving core subassembly 2. main spring	SSA0311	SSA0711
3	<b>Solenoid valve sub assembly complete</b> ( without coil ) Consists of 1. Solenoid valve sub assembly 2. Screws – 2 no's 3. O'rings – 2 no's	E22001-A	E22001-D
	<b>Seal kit</b> consists of all rubber items for the main valve (4)	SK5612	

#### Caution:

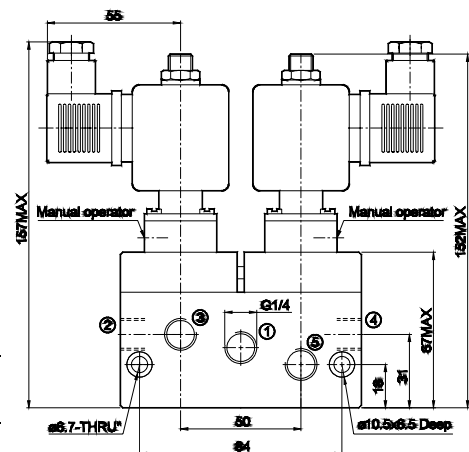
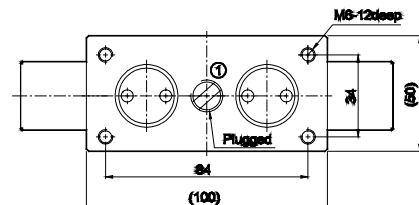
##### A. To ensure proper functioning

1. Please ensure that inlet port is connected to tubing of 6 mm ID minimum from the compressor air source.
2. Exhaust should not be restricted.

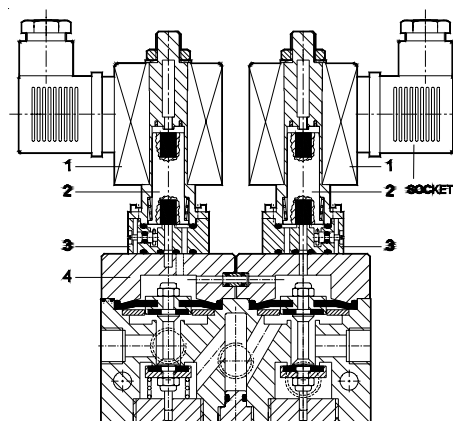
##### B. Stay put function

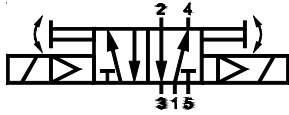
When the valve is in operation, it will be in stay out condition even if the power fails, provided the inlet pressure remains above 2 bar.

##### C. A.C coil should not be used on a D.C coil valve, and vice versa.



- ① - Inlet - 2 nos.
- ②, ④ - Outlet
- ③, ⑤ - Exhaust





# SOLENOID VALVE - G1/2

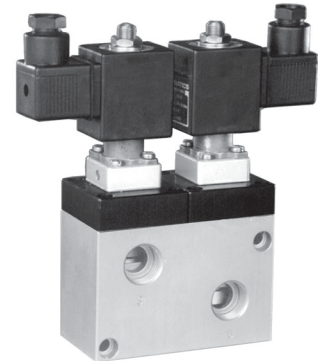
## J Series

Cat No J012 - 04

### 5 port 2 position double solenoid pilot operated valve

#### Features

- ❑ Diaphragm operated poppet seat type.
- ❑ Wide range of coil voltages.
- ❑ Continuous duty cycle.
- ❑ Low temperature of operation.
- ❑ Manual operated ( screw driver type ).
- ❑ Noiseless performance.
- ❑ Good flow characteristics.

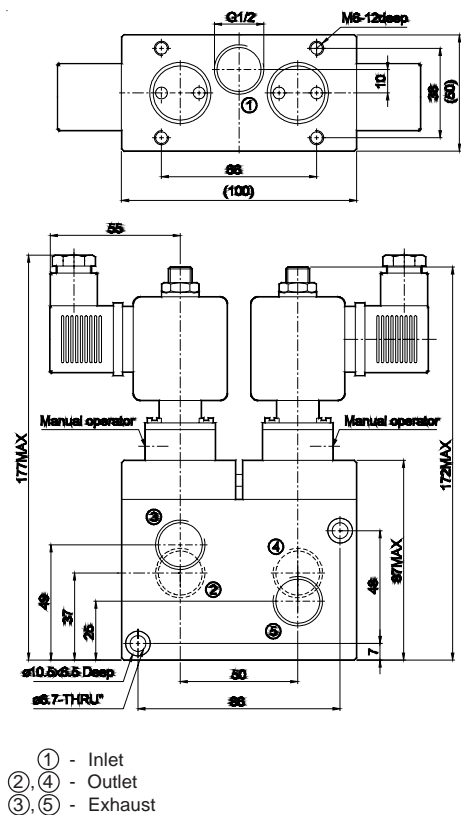


#### Technical Specifications

<b>Model #</b>	<b>EL25637</b>		
<b>Port size</b>	Inlet, Outlet, Exhaust - G1/2		
<b>Ambient Temperature</b>	60°C Max.		
<b>Medium</b>	Filtered , Lubricated compressed air		
<b>Orifice (NW)</b>	12		
<b>Operating pressure range (bar)</b>	2 - 10		
<b>Cv value</b>	3		
<b>Flow rate (lpm) *</b>	3000		
<b>Electrical</b>			
<b>Coil width</b>	32 mm		
<b>Voltage (V) ± 10%</b>	AC ( 50 Hz ) 24, 48, 110, 220	DC 12, 24, 48, 110, 220	
<b>Power consumption (Watts)</b>	6	8	
<b>Duty cycle</b>	Continuous		
<b>Type of coil protection</b>	IP65		
<b>Class of insulation</b>	Class F		
<b>Materials of construction</b>	Aluminium, Brass, Stainless steel, Nitrile		

# For ordering refer page no.3.1.1

\* at 6 bar inlet, 5 bar outlet , with pressure drop +p = 1 bar

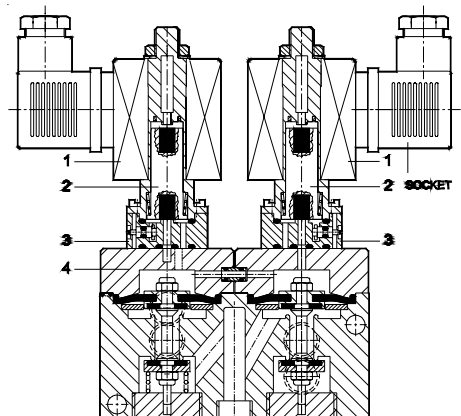


#### Spare parts list

Ref. No.	Coil ( without socket )	Ordering no. for		
		Voltage	AC	DC
1		220	AC11A	DC12P
		110	AC11B	DC12Q
		48	AC11D	DC12S
		24	AC11G	DC12W
		12	- NA -	DC12R
2	<b>Moving core sub assembly complete</b> consists of 1. moving core subassembly 2. main spring	SSA0311	SSA0711	
3	<b>Solenoid valve sub assembly complete</b> ( without coil ) Consists of 1. Solenoid valve sub assembly 2. Screws – 2 no's 3. 'O' rings – 2 no's	E22001-A	E22001-D	
	<b>Seal kit</b> consists of all rubber items for the main valve (4)	SK5632		

#### Caution:

- A. To ensure proper functioning**
  1. Please ensure that inlet port is connected to tubing of 10 mm ID minimum from the compressor air source.
  2. Exhaust should not be restricted.
- B. Stay put function**  
When the valve is in operation, it will be in stay out condition even if the power fails, provided the inlet pressure remains above 2 bar.
- C. A.C coil should not be used on a D.C coil valve, and vice versa.**



---

# SOLENOID VALVE

## J Series

---

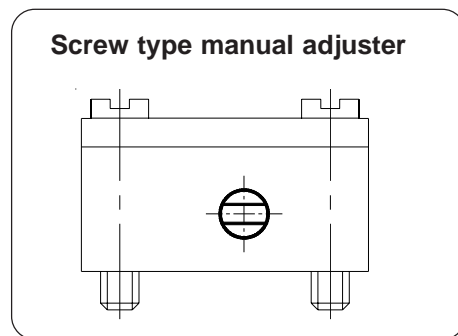
### How to order

While ordering Solenoid operated valves, please mention this suffix along with the model number to indicate the required voltage

A	220V AC	P	220V DC
B	110V AC	Q	110V DC
D	48V AC	S	48V DC
G	24V AC	W	24V DC
		R	12V DC

### Example

The ordering no. for 3 port 2 position pilot operated NC valve with 24V D.C coil is **EL14615W** with screw type manual adjuster (Standard model)



### Knob type manual adjuster

#### Example

The ordering no. for 3 port 2 position pilot operated NC valve with 24V D.C coil is **EL14615W - K** with knob type manual adjuster

