

MANUAL & MECHANICAL VALVES - M5

Series DP2

Cat No DP2 - 01 - 01

MANUAL & MECHANICAL VALVES - M5

Features

- ❑ Poppet seating arrangement
- ❑ Suitable for Panel mounting
- ❑ Mounting provision for individual unit
- ❑ Basic unit common for all the switches
- ❑ Wide range of switches available

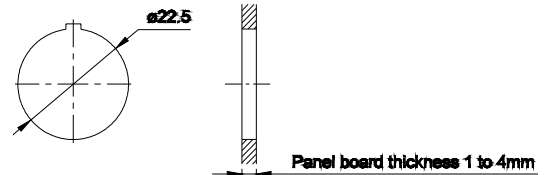


Technical Specifications

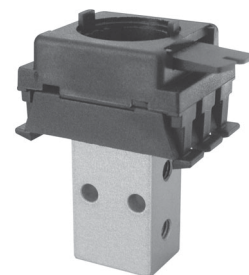
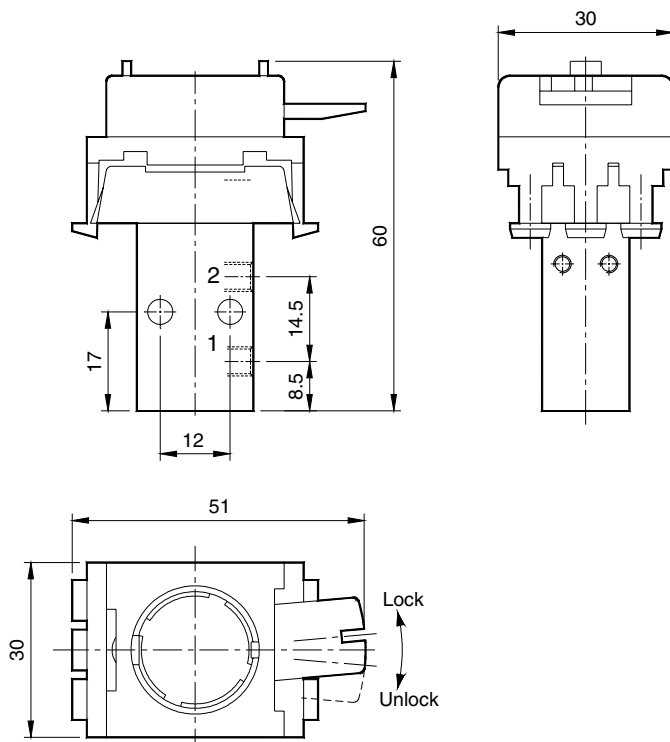
| | |
|------------------------------|--------------------------------------|
| Model | DP2 |
| Port size | M5 |
| Ambient / Medium Temperature | 5° - 60° C |
| Max. Working pressure | 8 bar |
| Stroke | 2.5 mm |
| Medium | Compressed air, Filtered, Lubricated |
| Flow [®] (1 → 2) | 130 lpm |
| Materials of construction | Housing : Aluminium, Seals : Nitrile |

@ Inlet pressure 6 bar, and pressure drop 1 bar

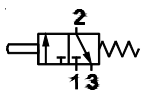
Mounting hole dia



3 / 2 Stem actuated panel mounting valve



1 - Inlet, 2 - Outlet, 3 - Exhaust

| | |
|--------------------|---|
| Ordering No | DP242P70 |
| Symbol |  |

MANUAL & MECHANICAL VALVES - M5

Series DP2

Cat No DP2 - 01 - 01

3/2 Stem actuated panel mounting valve with Actuator

| Mushroom head " Push turn " | | Mushroom head " Push function " | | Tip head | | Flush head | |
|--------------------------------|---------------|------------------------------------|---------------|----------|---------------|------------|---------------|
| Colour | Ordering No | Colour | Ordering No | Colour | Ordering No | Colour | Ordering No |
| Red | DP242P70-MT1A | Red | DP242P70-MP1A | Black | DP242P70-TH3A | Red | DP242P70-FH1A |
| | | | | | | Green | DP242P70-FH2A |

| | | | |
|--|--|--|--|
| | | | |
|--|--|--|--|

| Symmetric head | | Lever head | | Mushroom head with lock and key | |
|----------------|---------------|------------|---------------|------------------------------------|---------------|
| Colour | Ordering No | Colour | Ordering No | Colour | Ordering No |
| Black | DP242P70-SH3A | Black | DP242P70-LH3A | Red | DP242P70-ML1A |

| | | |
|--|--|--|
| | | |
|--|--|--|

How to Order

While ordering Manual & mechanical valves, mention the ordering number given in the corresponding tables.

Subject to change