

COMPACT VALVE - 1/2

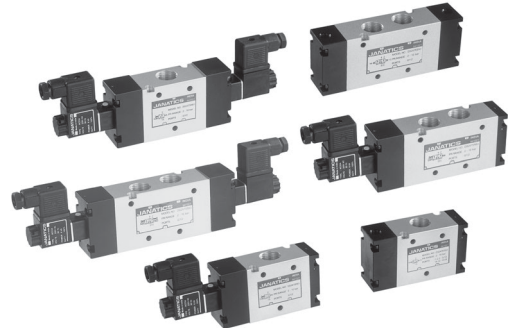
Series DS2

Cat No DS2 - 01 - 09

COMPACT VALVE - G1/2

Features

- ❑ Suitable for manifold mounting
- ❑ Mounting provision for individual unit
- ❑ Compact size
- ❑ Manual override
- ❑ Wide range of manifolds available
- ❑ Wide range of coil voltages

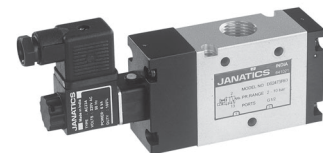
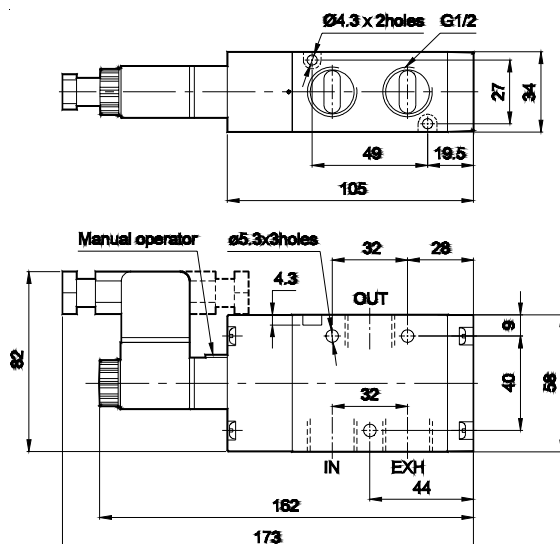


Technical Specifications

Model	DS2		
Type	3/2	5/2	5/3
Design	Spool type		
Port Size	Inlet, Outlet, Exhaust - G1/2,		External pilot - G1/8
Medium	Compressed air - Dry, filtered, lubricated		
Working Pressure range	2 - 10 bar		
External pilot pressure (ER model)	2 - 4 bar		
Recommended oil for lubrication	ISO VG32 (Servo system 32)		
Ambient / Medium temperature	5° - 60° C		
Flow ®	3500 lts/min		
Materials of construction	Aluminium, Nitrile, Brass, Acetal		
Electrical			
Coil width	22 mm		
Voltage (V) ± 10%	AC (50 Hz) - 24, 48, 110, 220		
	DC - 12, 24, 48, 110		
Power consumption	AC - 6 VA, DC - 5 W		
Duty cycle	Continuous		
Class of insulation	Class F		
Type of coil protection	IP65		

@ Inlet pressure 6 bar, and pressure drop 1 bar

3 / 2 Single Solenoid pilot operated valve with spring return



1 - Inlet, 2 - Outlet, 3 - Exhaust

Ordering No*	DS237SR63	DS247SR63
Symbol		

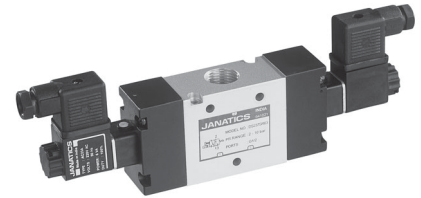
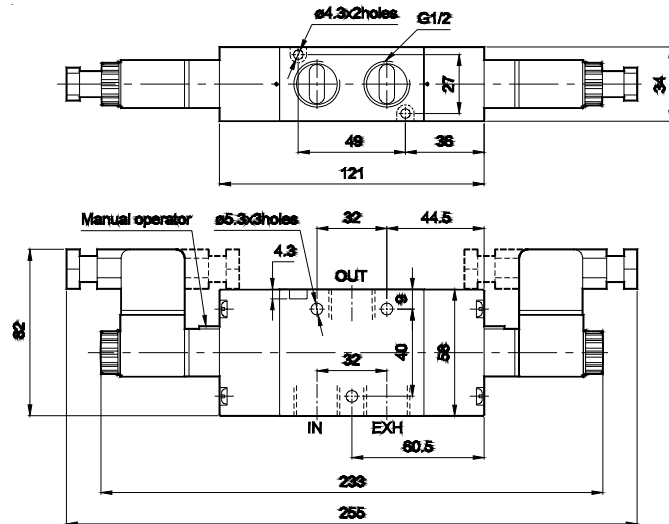
* For ordering No, voltage to be added. Refer page no. 3.2.13

COMPACT VALVE - 1/2

Series DS2

Cat No DS2 - 01 - 09

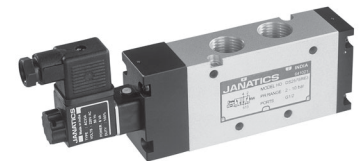
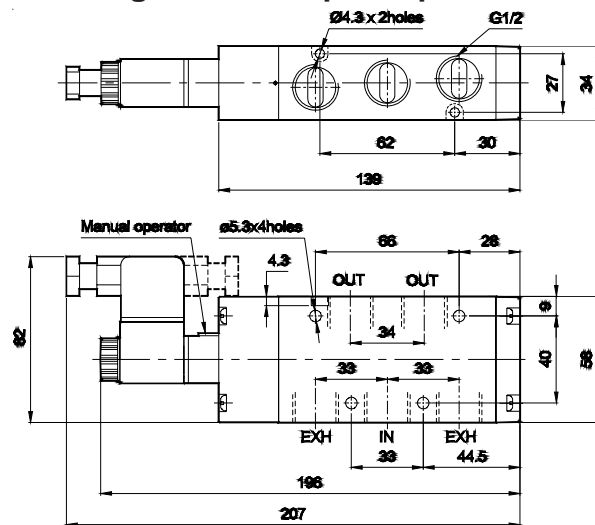
3 / 2 Double solenoid pilot operated valve



1 - Inlet, 2 - Outlet, 3 - Exhaust

Ordering No*	DS237SS63	DS247SS63
Symbol		

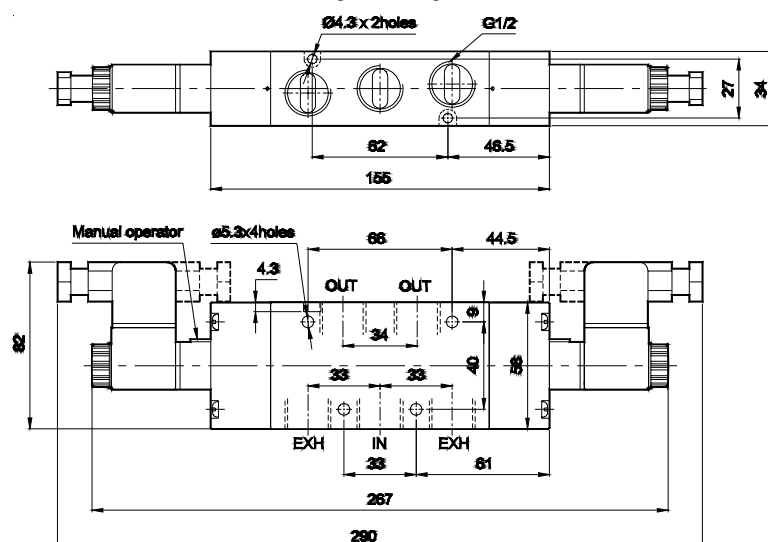
5 / 2 Single solenoid pilot operated valve with spring return



1 - Inlet, 2,4 - Outlet, 3,5 - Exhaust

Ordering No*	DS257SR63
Symbol	

5 / 2 Double solenoid pilot operated valve



1 - Inlet, 2,4 - Outlet, 3,5 - Exhaust

Ordering No*	DS257SS63
Symbol	

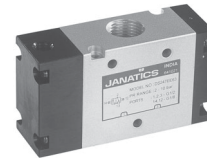
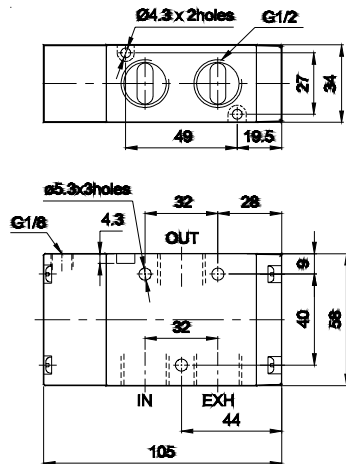
* For ordering No, voltage to be added. Refer page no. 3.2.13

COMPACT VALVE - 1/2

Series DS2

Cat No DS2 - 01 - 09

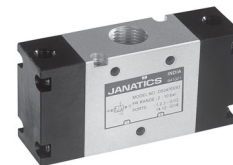
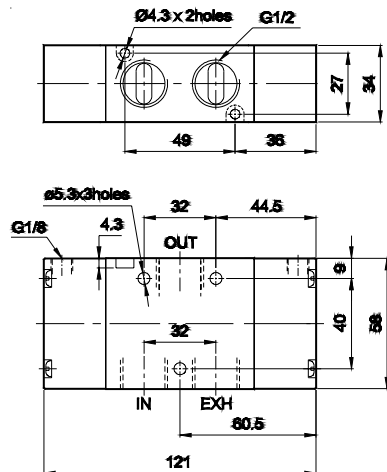
3 / 2 Single External pilot operated valve with spring return



1 - Inlet, 2 - Outlet, 3 - Exhaust 14 - External pilot

Ordering No	DS237ER63	DS247ER63
Symbol		

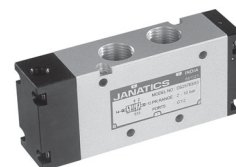
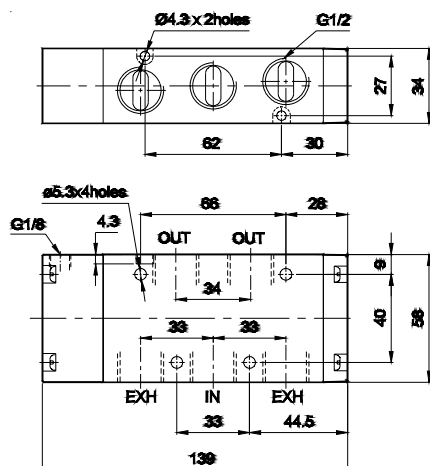
3 / 2 Double External pilot operated valve



1 - Inlet, 2 - Outlet, 3 - Exhaust 14,12 - External pilot

Ordering No	DS237EE63	DS247EE63
Symbol		

5 / 2 Single External pilot operated valve with spring return



1 - Inlet, 2,4 - Outlet, 3,5 - Exhaust, 14,12 - External pilot

Ordering No	DS257ER63
Symbol	

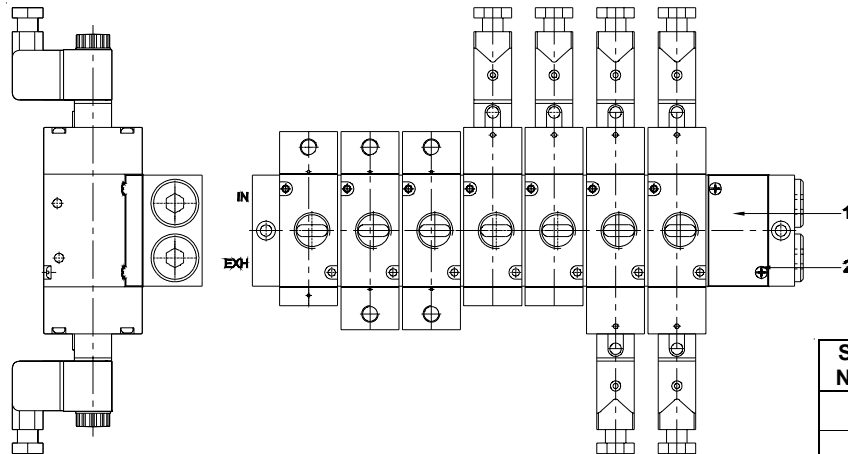
COMPACT VALVE - 1/2

Series DS2

Cat No DS2 - 01 - 09

ACCESSORIES FOR COMPACT VALVE

Cover plate assembly for Manifold Type M051

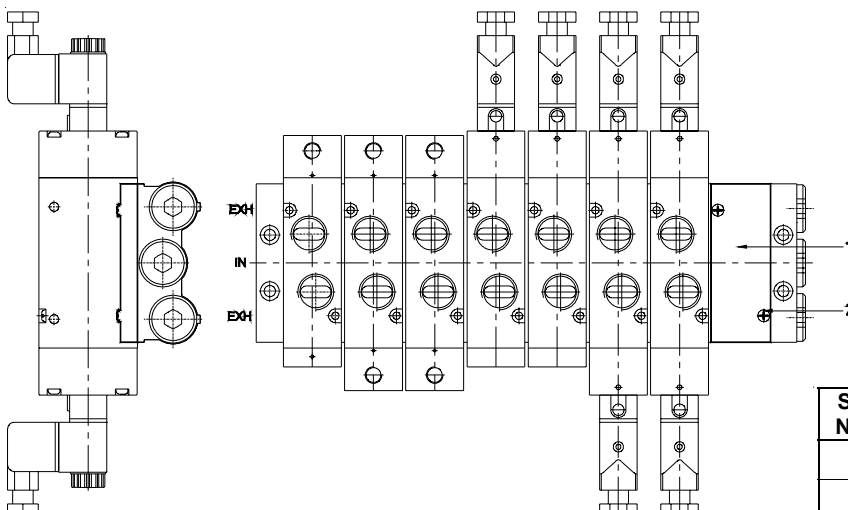


SL. NO.	Item	Qty.	Ordering No
1	Cover plate	1	A4C05
2	Screw - M4x15	2	

Application:

The cover plate assembly can be used to plug the unutilised position in a manifold. For eg., if it is required to mount only 7 valves on manifold no. M0510608, the eighth position can be plugged and made dummy using a cover plate assembly. (refer picture above)

Cover plate assembly for Manifold Type M003



SL. NO.	Item	Qty.	Ordering No
1	Cover plate	1	A4C04
2	Screw - M4x15	2	

Application:

The cover plate assembly can be used to plug the unutilised position in a manifold. For eg., if it is required to mount only 7 valves on manifold no. M0030608, the eighth position can be plugged and made dummy using a cover plate assembly. (refer picture above)

COMPACT VALVE - 1/2

Series DS2

Cat No DS2 - 01 - 09

How to order

1. Solenoid valve + “ Connectors without LED ”

While ordering Solenoid operated valves, please mention the suffix given below along with the model number to indicate the required voltage

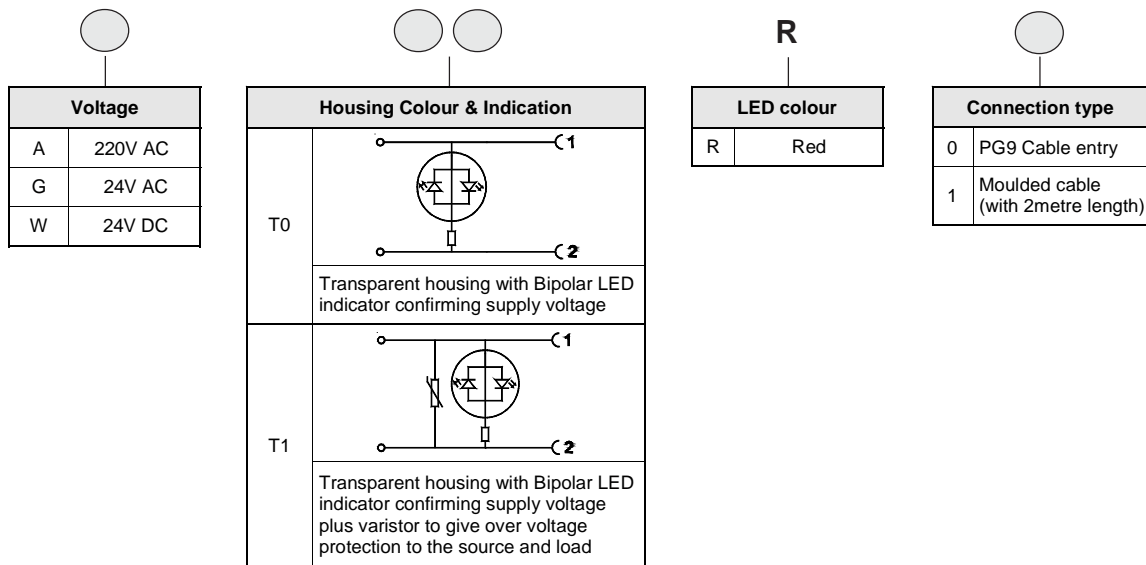
A	220V AC	Q	110V DC
B	110V AC	S	48V DC
D	48V AC	W	24V DC
G	24V AC	R	12V DC

Example

- The ordering no. for 3/2 NC valve, 24V D.C coil with PG cable is **DS247SR63-W**
- The ordering no. for 3/2 NC valve, 24V D.C coil with Moulded cable is **DS247SR63-W1**

2. Solenoid valve + “ Connectors with LED ”

While ordering Solenoid operated valves with LED connectors, given below in the corresponding tables.



Example

The Ordering no for 3/2 NC valve (1/4”), 24V DC, connectors with LED of Transparent colour housing with Bipolar LED and varistor with moulded cable: **DS247SR63-WT1R1**

Note : For more details and to order solenoid connectors separately, refer Cat No K - 01 - 01