

AIR PREPARATION UNITS

FILTER REGULATOR COMBINATION WITH METAL BOWL - Series FRC1M

Cat No FRC1M - 01 - 01

FILTER REGULATOR COMBINATION with Metal Bowl 1/4 3/8 1/2

Features

- ❑ Modular type
- ❑ Suitable for panel mounting
- ❑ Filter
 - Bronze filtering element.
 - Separator and shield for efficient moisture separation.
 - Press type manual drain for easy operation
 - Suitable for automatic drain
- ❑ Regulator
 - Diaphragm operated, relieving type.
 - Pressure compensated by balanced poppet.
 - Flow compensated
 - Non raising ' Press to lock ' adjusting knob
- ❑ Good flow and regulating characteristics.



Application

These type of filters are used for Chemical, Paintshops, Pharmaceutical, Foundry etc.

Technical Specifications

Model	FRC13...M	FRC14...M	FRC15...M
Medium	Compressed air		
Port size	G 1 / 4	G 3 / 8	G 1 / 2
Pressure gauge port size	G 1 / 8	G 1 / 8	G 1 / 8
Flow rate lts / min @	550	1800	3000
Max Supply pressure	20 bar		
Regulating Pressure Range #	0.2 - 2 bar, 0.2 - 4 bar, 0.5 - 7 bar, 0.5 - 10 bar (Standard)		
Ambient / Medium temperature	5 ° - 60 ° C		
Filteration #	5 µm, 25 µm, 40 µm (standard), 50 µm, 100 µm		
Bowl capacity (At max. condensate level)	9 ml	64 ml	90 ml
Bowl material	Aluminium		
Installation	Vertical (as shown in the picture)		
Materials of construction	Aluminium, Bronze, Brass, Steel, Acetal, SS, Nitrile		
Weight	0.30 Kg	0.70 Kg	1.5 Kg
Optional accessories *	Clamp, Modular mounting kit, Pressure gauge		

@ Supply pressure 7 bar , Set pressure 6 bar , pressure drop $\Delta p = 1$ bar (For standard models).

For details see " How to order " .

* For details refer optional accessories Cat No APA - 01 .

Precautions

1. Note the direction of flow before installation and connect piping accordingly.
2. Flush pipings for dirt, dust, rust and other foreign particles.
3. Install in clean atmosphere.
4. Nipples with taper threads (R) to be used with teflon tape. Ensure teflon tape does not enter the unit during tightening.
Nipples with straight threads (G) to be used with sealing washer.

Pressure Setting

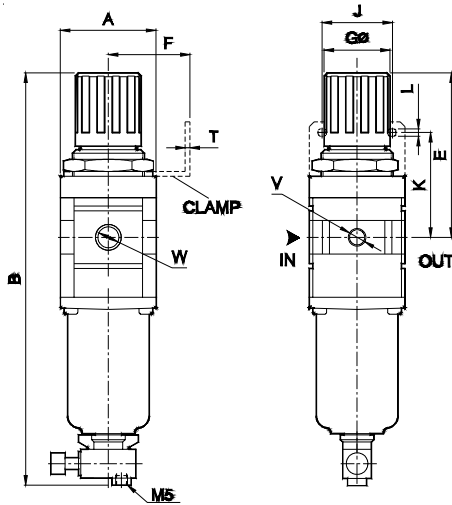
Pull the knob and adjust by turning the knob clockwise to increase the pressure. Push the knob back to its locked position. (Turning the knob counter clockwise will reduce the pressure)

AIR PREPARATION UNITS

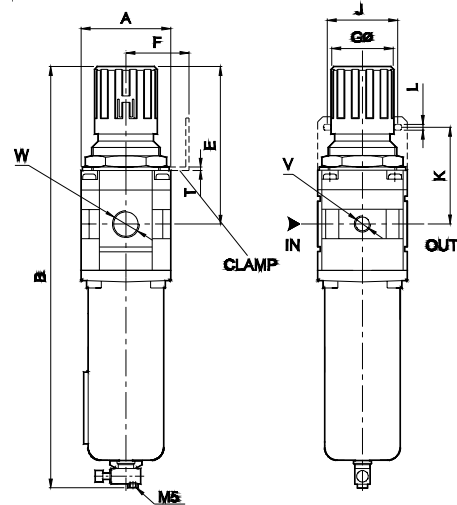
FILTER REGULATOR COMBINATION WITH METAL BOWL - Series FRC1M

Cat No FRC1M - 01 - 01

Model FRC13...M



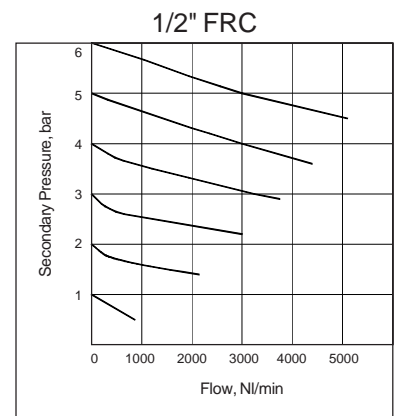
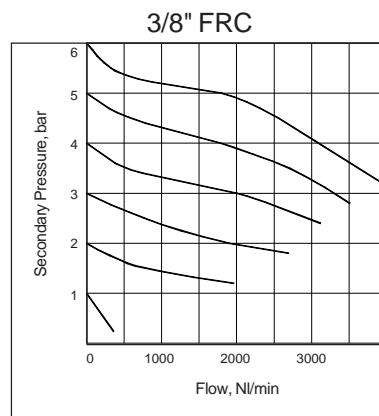
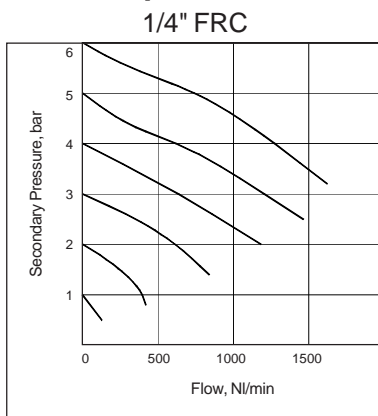
Model FRC14...M & FRC15...M



For Details of Clamp see optional accessories Cat No APA - 01

Model	W	V	A	B	E	K	F	GØ	J	L	T
FRC13...M	G1/4	G1/8	40	172	68	45	30	28	28	5.5	2
FRC14...M	G3/8	G1/8	55	265	95	53	40	40	40	6.5	2
FRC15...M	G1/2	G1/8	70	330	125	62	50	51	55	8.5	2

Flow Graphs



How to order

FRC 1

Body & Port size	Filtration in µm	Pressure Range	M - Metal bowl	Drain arrangement
3 6 1 -- G 1 / 4	1 -- 5	1 -- 0.2 - 2 bar	(Without level Indicator)	M --- Manual Drain (Standard)
4 6 2 -- G 3 / 8	2 -- 25	2 -- 0.2 - 4 bar		A* --- Auto Drain
5 6 3 -- G 1 / 2	3 -- 40 (Standard)	3 -- 0.5 - 7 bar		
	4 -- 50	4 -- 0.5 - 10 bar (Standard)		* Auto Drain - G3/8 & G1/2 model only
	5 -- 100			

Ordering example :- Filter Regulator Combination - 3 / 8 size (with G 3 / 8 port) with 5 µm Filter and pressure range 0.5 - 7 bar and Metal Bowl with Auto drain Ordering No: FRC146213 - MA.
If ordered as FRC 3/8 with Metal bowl, our standard model FRC 146234 - MM, with 40 µm Filter and pressure range 0.5 - 10 bar will be supplied.