

## AIR PREPARATION UNITS

### LUBRICATOR WITH METAL BOWL Series L1M

Cat No L1M - 01 - 01

#### LUBRICATOR WITH METAL BOWL 1/4 3/8 1/2

#### Features

- ❑ For higher pressure range above 10 bar
- ❑ Suitable for Modular mounting
- ❑ Fog / Mist type
- ❑ Fine adjustment of lubrication
- ❑ Lubrication proportional to flow



#### Technical Specification

Model	L13...M	L14...M	L15...M
Medium	Compressed air - Filtered		
Port size	G 1 / 4	G 3 / 8	G 1 / 2
Flow rate lts / min @	1350	3000	5650
Max Supply pressure	20 bar		
Ambient / Medium temperature	5 ° - 60 ° C		
Min operating flow lts / min	12	40	45
Bowl capacity (at maximum condensate level)	20 ml	100 ml	200 ml
Recommended oil	ISO VG 32 (Servo System 32)		
Bowl material	Aluminium		
Installation	Vertical (as in the picture)		
Materials of construction	Aluminium, Bronze, Steel, SS, Nitrile		
Weight	0.20 Kg	0.55 Kg	0.85 Kg
Optional accessories *	Clamp, Modular mounting kit		

@ Supply pressure 6 bar , pressure drop  $\Delta p = 0.5$  bar ( For standard models )

\* For details refer optional accessories Cat No: APA - 01

#### Precautions

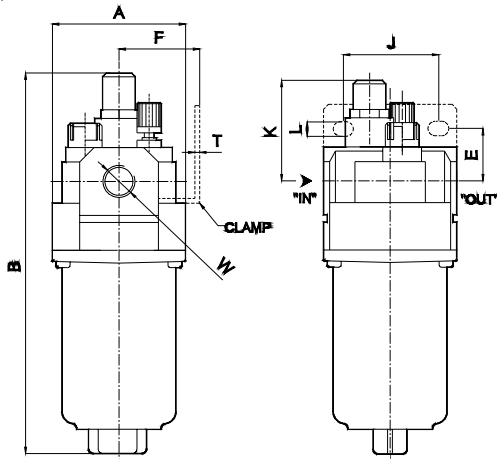
1. Note the direction of flow before installation and connect piping accordingly.
2. Flush pipings for dirt, dust, rust and other foreign particles.
3. Install in clean atmosphere.
4. Nipples with taper threads ( R ) to be used with teflon tape . Ensure teflon tape does not enter the unit during tightening.  
Nipples with straight threads ( G ) to be used with sealing washer.
5. Oil may be filled when under pressure. However it is recommended to vent the air completely before filling the oil.

# AIR PREPARATION UNITS

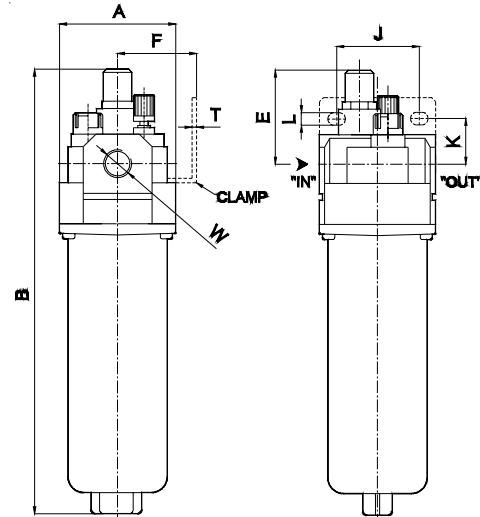
## LUBRICATOR WITH METAL BOWL Series L1M

Cat No L1M - 01 - 01

Model L13



Model L14 & L15

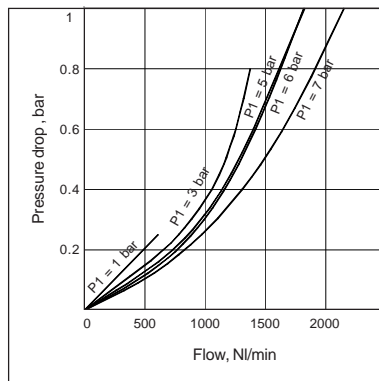


For Details of Clamp see optional accessories Cat No APA - 01

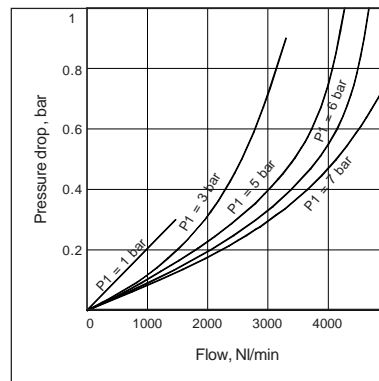
Model	W	A	B	E	K	F	J	L	T
L13...M	G1/4	40	135	42	15	30	28	5.5	2
L14...M	G3/8	55	205	44	25	40	40	6.5	2
L15...M	G1/2	70	240	46	25	50	55	8.5	2

### Flow Graphs

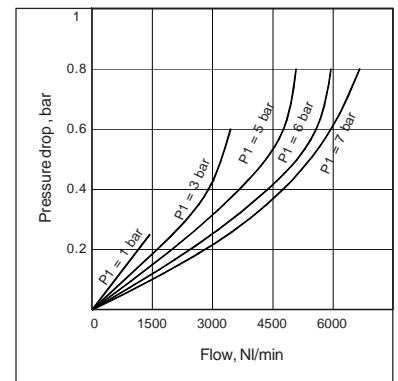
1/4" LUBRICATOR



3/8" LUBRICATOR



1/2" LUBRICATOR



### How to order

L1



**Body & Port size**

3 6 1 -- G 1 / 4

4 6 2 -- G 3 / 8

5 6 3 -- G 1 / 2



**M - Metal bowl**

(without level  
Indicator)

**Ordering example:** Lubricator with Metal bowl - G3/8 port size : Ordering No : L1462-M

### Principle of Operation

A part of the air entering the Lubricator through "IN" pressurises the bowl chamber.

Flow of full air goes through "OUT" deflecting the "Deflector" and creating pressure drop below the sight dome .

The pressure in the Bowl presses the oil through the suction tube and the oil flows through the sight dome. All the oil drops seen through the sight dome mixes with the main stream air and comes through "OUT". The required oil drops can be adjusted by the adjusting needle.