

HOSE BOX (SINGLE)

MILD STEEL



Hose boxes provide the means to store Delivery Hoses and branches in indoor and outdoor locations. They protect the Hoses/Branches from the effects of weather, dust, etc, and allow quick deployment of the same in the event of emergency. Hose Boxes can be mounted on the wall, or if outdoors, on specially fabricated stands.

Brief Description : AAAG Hose Box, Single, made of Carbon (Mild) Steel sheet, 18 gauge thickness, approx. dimensions 450 x 600 x 250, suitable for storage of 1 No. 15 Mtrs. 63 mm Delivery hose, and short branch. Box shall have glass front, and locking arrangement (& small glass window for storing key opener).

1.0 GENERAL DATA

1.1	Make	AAAG
1.2	Size/ Model	Hose Box (Single)
1.3	Material of Construction	Carbon (Mild) Steel
1.4	Reference	--

2.0 MATERIAL OF CONSTRUCTION

2.1	Body	Mild Steel SWG 18 Gauge
2.2	Handle	Nickel Chrome
2.3	Key Box	Mild Steel SWG 18 Gauge
2.4	Lock	Standard Panel Lock/ Godrej

3.0 TESTING AND QUALITY CONTROL

3.1	Dimensional check	See Drawing Below
3.2	Documentation	Internal inspection report, supplier's certificates, approved laboratory test certificates

4.0 OPERATIONAL/ TECHNICAL DATA

4.1	Dimensions (Approx.)	450mm (W) x 600mm (H) x 250mm (D)
4.2	Weight (Approx.)	---

5.0 FINISH

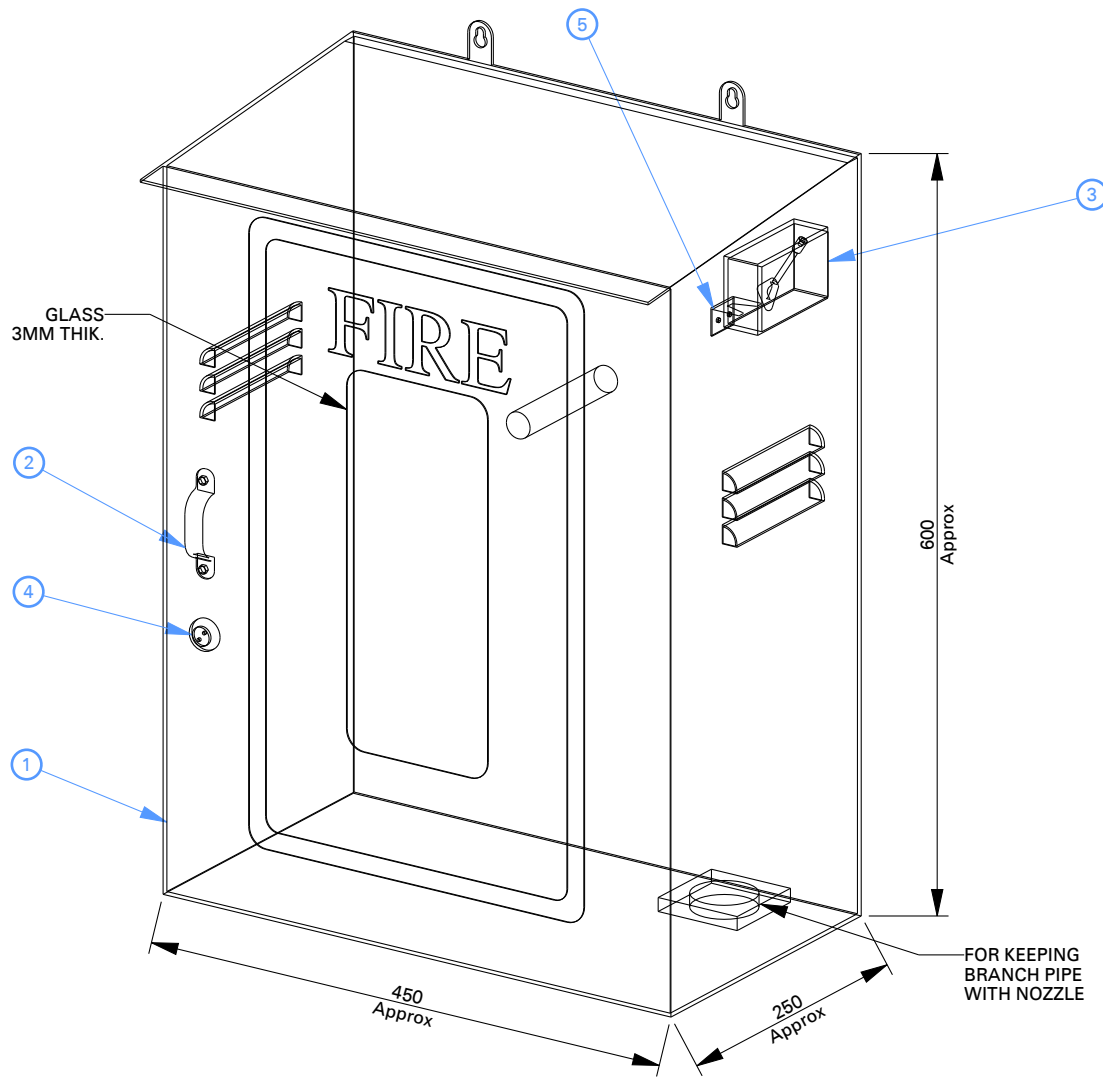
5.1	Branch	2 Coats Anticorrosive Fire Red Paint Outside, and White Inside
-----	--------	--

6.0 APPROVALS & MARKING

6.1	Approvals	--
6.2	Marking on Nozzle	AAAG/ Year of Mfg

7.0 WARRANTY

7.1	Warranty & Guarantee	12 Months from the date of supply
-----	----------------------	-----------------------------------



1	Body	C.S 18 SWG
2	Handle	Chrome Plated
3	Key	M.S Galvanized
4	Lock	Pannel Lock
5	For Keeping M.S Hammer With G.I Chain	
NO	DESCRIPTION	MATERIAL
PART LIST		



Shah Bhogilal Jethalal & Bros.

AHMEDABAD

TITLE :

Hose Box, Single, Carbon Steel,
Conventional Design

SCALE

N.T.S

DRAWING NO:

M251-00BJ

SHEET

1 OF 1

REV.

0