

CONTROLLED DIVIDING BREECH (2 WAY)

ALUMINIUM, 63 mm, CONVENTIONAL



Controlled Dividing Breeches are used in fire fighting operations to split one hose line into two lines. It has one Instantaneous male inlet for water inflow and two female instantaneous outlets for connecting two hoses to discharge water. Additionally, a selector valve (or ball valves on outlets) allows control of flow to either one or both outlets.

Brief Description : AAAG Controlled Dividing Breech (2 Way), Conventional design, made of Gunmetal, having Two Nos. 63 mm size Female Instantaneous Outlets, and One No. 63 mm size Male Instantaneous inlets, suitable for use with 63 mm Fire fighting delivery Hose couplings. Ball Valves on Outlets allow operation of single or both hose lines or complete shut-off.

1.0 GENERAL DATA

1.1	Make	AAAG
1.2	Size	63mm
1.3	Inlet	Male Instantaneous Adaptor (63 mm)
1.4	Outlet	2 Nos Female Instantaneous Adaptor (63 mm)
1.5	Material of Construction	Aluminium
1.6	Reference	SBJ drawing (see below)

2.0 MATERIAL OF CONSTRUCTION

2.1	Body	Aluminium, 4450 IS:617
2.2	Male/Female Coupling	Aluminium, 4450 IS:617
2.3	Lugs	Aluminium, 4450 IS:617
2.4	Ball Valve	SS304, IS:3444 Grade I
2.5	Washer	Rubber

3.0 TESTING AND QUALITY CONTROL

3.1	Dimensional check	See drawing below
3.2	Hydrostatic Pressure test	21 kgf/cm ² for 2.5 minutes
3.3	Documentation	Internal inspection report, supplier's certificates, approved laboratory test certificates

4.0 OPERATIONAL/ TECHNICAL DATA

4.1	Working Pressure Range	Upto 12 Kgf/cm ²
4.2	Weight (approx.)	4.2 Kgs. (approx)

5.0 FINISH

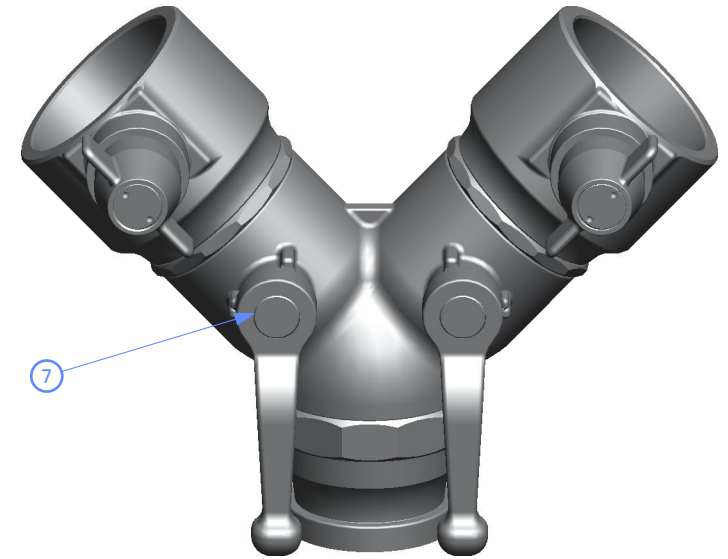
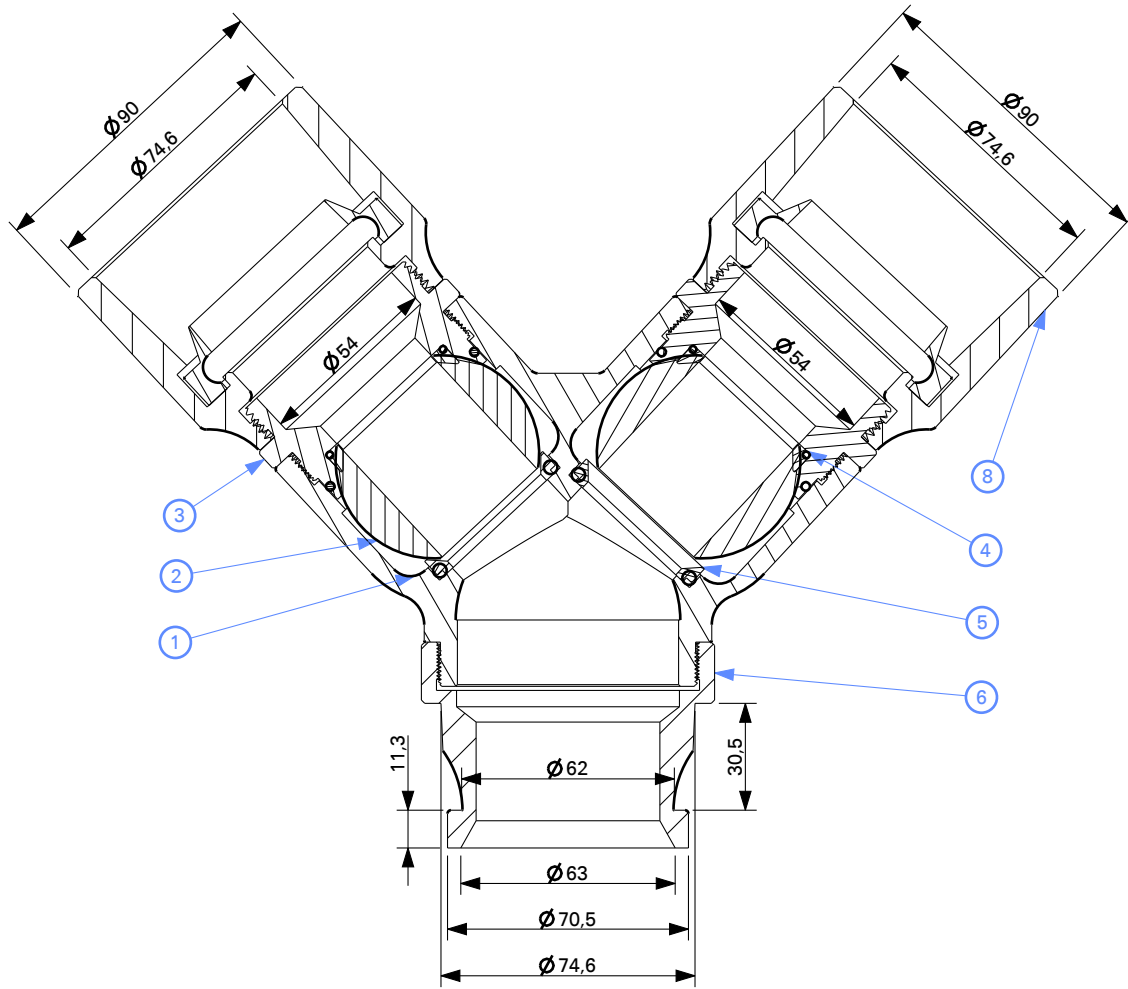
5.1	Body	Painted - Fire Red Color
5.2	Female/Male Coupling	Polished

6.0 APPROVALS & MARKING

6.1	Approvals	--
6.2	Marking	AAAG/ Year of Mfg./SI No

7.0 WARRANTY

7.1	Warranty & Guarantee	12 Months from the date of supply
-----	----------------------	-----------------------------------



1	BODY	ALUMINIUM IS: 617
2	BALL	ALUMINIUM IS: 617
3	CONNECTOR	ALUMINIUM IS: 617
4	TEFLON SHEET	TEFLON
5	TEFLON SHEET	TEFLON
6	MALE INST.INLET	ALUMINIUM IS: 617
7	PIN DRIVE LOCK	M.S
8	FEMALE INST.OUTLET	ALUMINIUM IS: 617
NO.	DESCRIPTION	MATERIAL
PART LIST		



Shah Bhogilal Jethalal & Bros.

AHMEDABAD

TITLE : Control Dividing Breech (2-Way), Aluminium, Ball Valve Design

SCALE

N.T.S

DRAWING NO:

A183A-63BJ

SHEET

1 OF 1

REV.

0