

## CONTROLLED DIVIDING BREECH (2 WAY)

SS316, 63 mm, CONVENTIONAL



Controlled Dividing Breeches are used in fire fighting operations to split one hose line into two lines. It has one Instantaneous male inlet for water inflow and two female instantaneous outlets for connecting two hoses to discharge water. Additionally, a selector valve (or ball valves on outlets) allows control of flow to either one or both outlets.

**Brief Description :** AAAG Controlled Dividing Breech (2 Way), Conventional design, made of Stainless Steel (SS316) having 2 Nos. 63 mm size Female Instantaneous Outlets, & 1 No. 63 mm size Male Instantaneous inlet, suitable for use with 63 mm Fire fighting Hose couplings. Ball Valves on Outlets allow operation of single or both hose lines or complete shut-off.

### 1.0 GENERAL DATA

1.1	Make	AAAG
1.2	Size	63mm
1.3	Inlet	Male Instantaneous Adaptor (63 mm)
1.4	Outlet	2 Nos Female Instantaneous Adaptor (63 mm)
1.5	Material of Construction	Stainless Steel (SS316)
1.6	Reference	IS:5131

### 2.0 MATERIAL OF CONSTRUCTION

2.1	Body	SS316, IS:3444 Grade IV
2.2	Male/Female Coupling	SS316, IS:3444 Grade IV
2.3	Lugs	SS316, IS:3444 Grade IV
2.4	Ball Valve	SS316, IS:3444 Grade IV
2.5	Washer	Rubber

### 3.0 TESTING AND QUALITY CONTROL

3.1	Dimensional check	See drawing below
3.2	Hydrostatic Pressure test	21 kgf/cm <sup>2</sup> for 2.5 minutes
3.3	Documentation	Internal inspection report, supplier's certificates, approved laboratory test certificates

### 4.0 OPERATIONAL/ TECHNICAL DATA

4.1	Working Pressure Range	Upto 12 Kgf/cm <sup>2</sup>
4.2	Weight (approx.)	9.0 Kgs. (approx)

### 5.0 FINISH

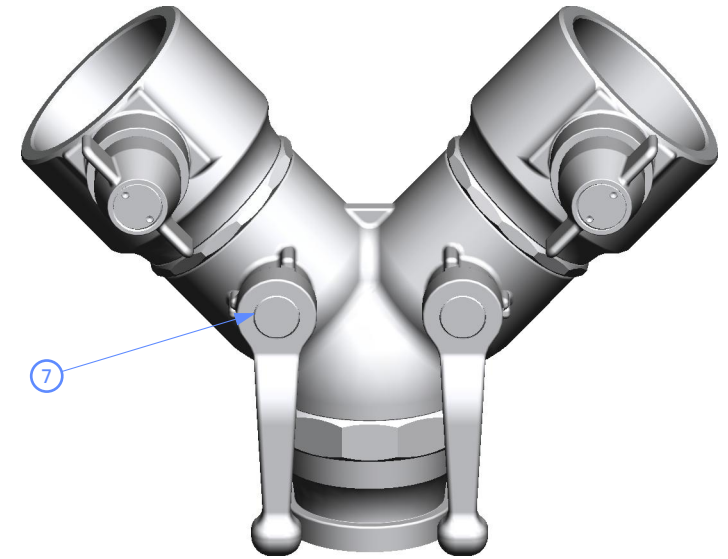
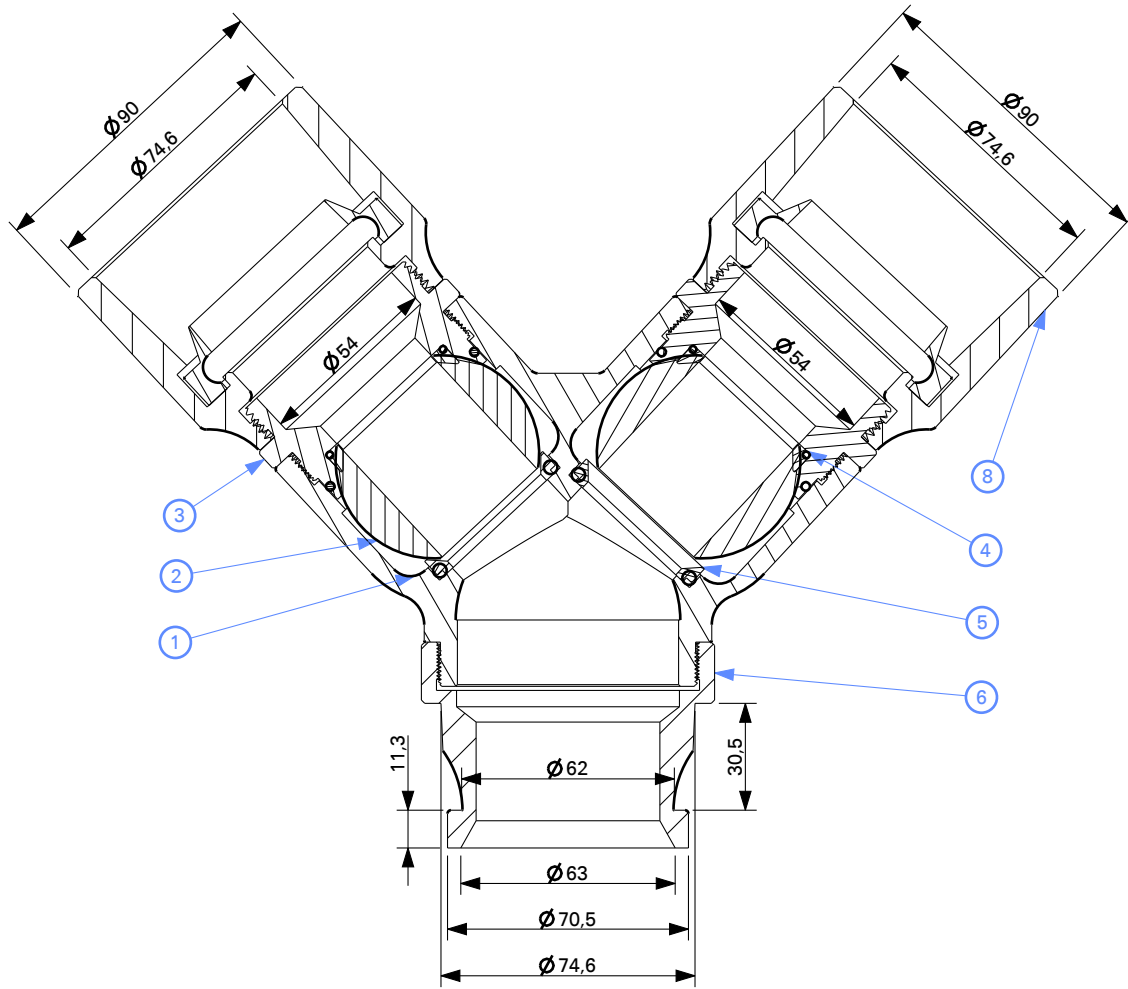
5.1	Body	Painted - Fire Red Color
5.2	Female/Male Coupling	Polished

### 6.0 APPROVALS & MARKING

6.1	Approvals	--
6.2	Marking	AAAG/ Year of Mfg./SI No

### 7.0 WARRANTY

7.1	Warranty & Guarantee	12 Months from the date of supply
-----	----------------------	-----------------------------------



1	BODY	S.S 316 (IS: 3444 Gr.4)
2	BALL	S.S 316 (IS: 3444 Gr.4)
3	CONNECTOR	S.S 316 (IS: 3444 Gr.4)
4	TEFLON SHEET	TEFLON
5	TEFLON SHEET	TEFLON
6	MALE INST.INLET	S.S 316 (IS: 3444 Gr.4)
7	PIN DRIVE LOCK	M.S
8	FEMALE INST.OUTLET	S.S 316 (IS: 3444 Gr.4)
NO.	DESCRIPTION	MATERIAL
PART LIST		



**Shah Bhogilal Jethalal & Bros.**

AHMEDABAD

**TITLE :** Control Dividing Breech (2-Way),  
SS 316, Ball Valve Design

SCALE

N.T.S

DRAWING NO:

SM183A-63BJ

SHEET

1 OF 1

REV.

0