

MOD-QT SERIES

Single Phase Quarter Turn





MOD-QT

Single Phase

Quarter Turn Electrical Actuators

KEY FEATURES

SUPPLY VOLTAGE

220 V AC – (+ 10%), 50 / 60 Hz
110 V AC, 24V DC, 12V DC (Available on request)

ENCLOSURE – IP 67/68

Weatherproof – IS / IEC 60529
Flameproof or Ex-Proof – IS / IEC 60079 | Zone II, Gas Group IIB T4

TORQUE RANGE

50 Nm to 2800 Nm

INTEGRAL STARTER UNIT

Selector Switches	Open / Stop / Close Auto / Manual or Remote / Local
Indicator Lamps	Open / Close / Error

VARIOUS OPTIONS

ON/OFF Type.
Modulating Control (Signal Input - 4 ~ 20mA / 1 ~ 5V DC / 2 ~ 10V DC).
Potentiometer Feedback (4 ~ 20mA).
Auxiliary Limit Switches (2 Units).
2 Wire for ON/OFF Operation.



Design Approvals



Widely Used in Fields Such as

- ~ Water Treatment
- ~ Municipal Water Supply Board
- ~ Petroleum
- ~ Chemical Industry
- ~ Power Plant
- ~ Metallurgy
- ~ Pharmacy
- ~ Paper Industry
- ~ Energy
- ~ Textile
- ~ Food Processing
- ~ Automation etc...

Motorized Valves

- ~ Ball Valves
- ~ Butterfly Valves / Damper Valves
- ~ Fire Safe Ball Valves
- ~ Jacketed Ball Valves
- ~ Wafer Ball Valves
- ~ UPVC / PP Ball Valves

MOD-QT SERIES

Single Phase Quarter Turn

MANUFACTURING STANDARDS

- **Actuator Manufacturing Standard**
IEC / EN 15714 – 2 (Electrical Actuator for Industrial Valves)
- **Actuator Enclosure Standard – IP 67 / 68**
IS / IEC 60529 – 2009
(Degree of Protection provided by Enclosure)
IS / IEC 60079 (EX Proof Part - 1 Equipment Protection by Flame Proof Enclosures “d”)
- **Actuator Motor Standard**
IEC- 60034 – 1 (Rotating Electrical Machines)
IS-996 (Single Phase Induction Motor)
- **Actuator Mounting Standard**
ISO 5211 (Mounting Standard for Industrial Valves)

APPLICABLE DIRECTIVES

- **EC Machinery Directive – 2006 / 42 / EC**
- **Low Voltage Directive – 2006 / 95 / EC**
- **EMC Directive – 2004 / 105 / EEC**

TECHNICAL DATASHEET

STANDARD SPECIFICATIONS

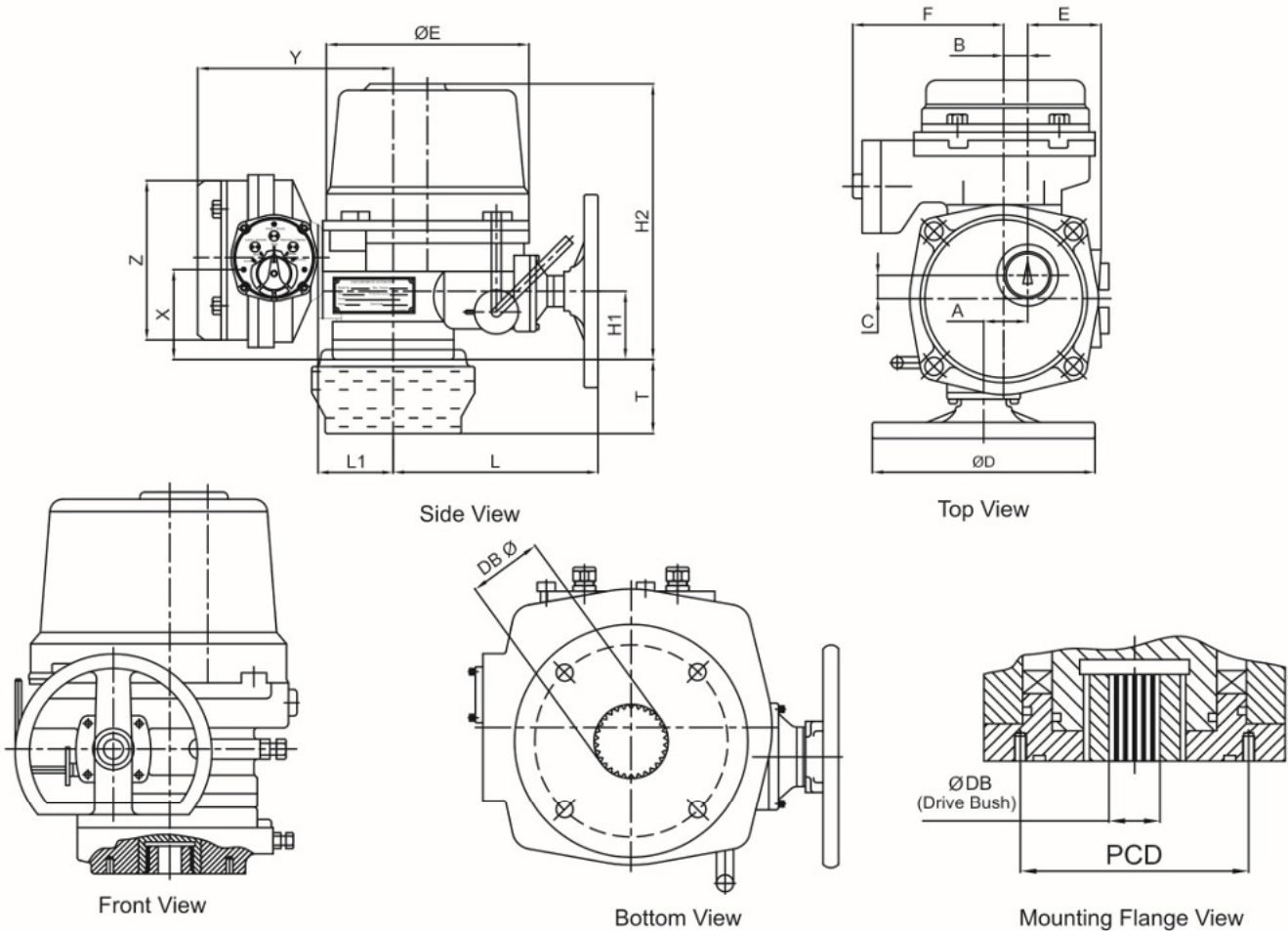
Model No.	Max Torque NM	Motor Watt	Rotation time Second / 90°	220V AC Motor Current			Manual Over Ride
				START (A) at 30mS	RUN (A)	LOCK Rotor (A)	
MOD-QT 10	100	25	18	1.05	0.7	1.05	
MOD-QT 20	200	40	18	1.3	1.1	1.3	
MOD-QT 60	600	90	18	2.1	1.6	2.1	
MOD-QT 100	1000	200	30	4.5	3.3	4.5	
MOD-QT 150	1500	180	45	4	3	4	Aluminium Alloy Wheel With Clutch Drive
MOD-QT 200	2000	200	45	4.5	3.3	4.5	
MOD-QT 250	2500	200	45	4.5	3.3	4.5	

Note : Specifications mentioned here are subject to revision without notice due to continuous product improvements. (Rev.-1)

MOD-QT SERIES

Single Phase Quarter Turn

Dimension Details

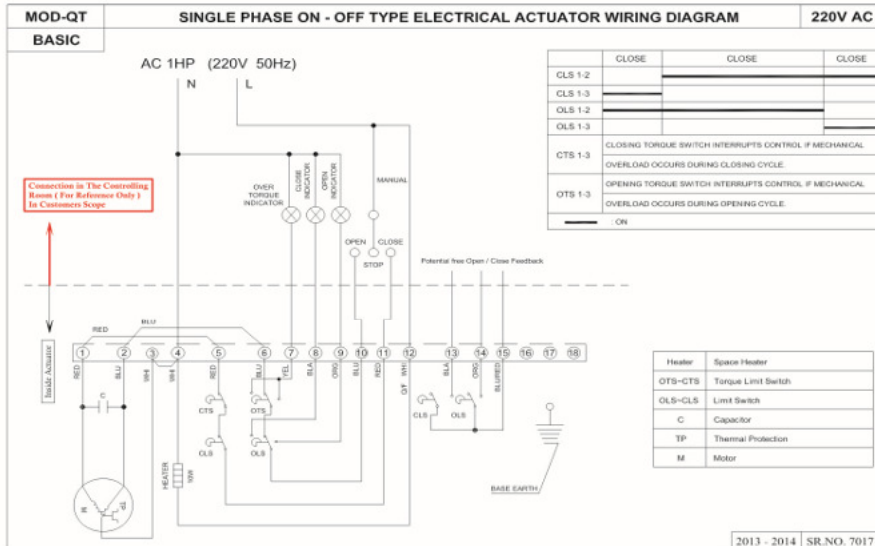


(ALL DIMENSION ARE IN MM)

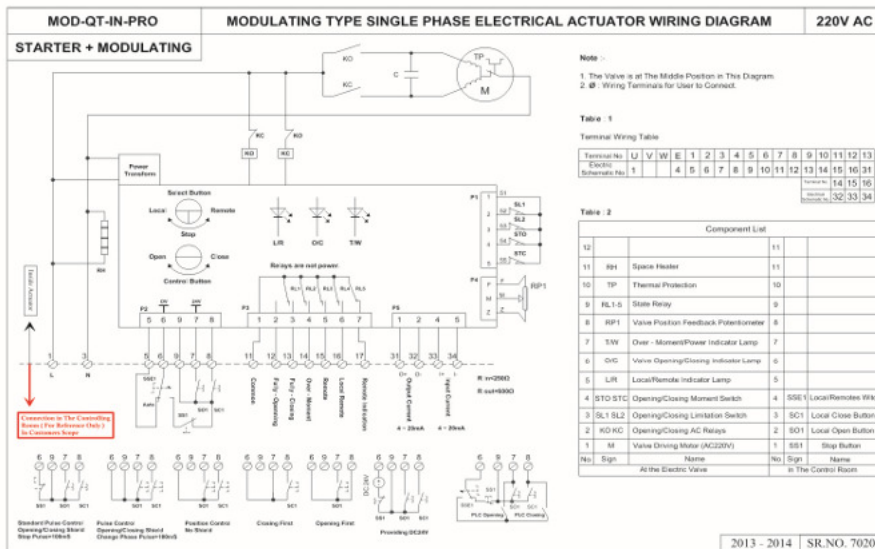
Model No.	A	B	C	E	F	ØD	ØE	T	H1	H2	L	L1	X	Y	Z	Mounting PCD	ØDB (Drive Bush)
MOD-QT 05	49.5	22.5	30	77.5	150	200	200	27.5	64	263	190	85	113	198	190	F05, F07	22
MOD-QT 10	49.5	22.5	30	77.5	150	200	200	27.5	64	263	190	85	113	198	190	F07, F10	42
MOD-QT 20	49.5	22.5	30	77.5	150	200	200	27.5	64	263	190	85	113	198	190	F07, F10	42
MOD-QT 40	60	33	35	77	150	200	220	27.5	70	304	205	88	119	203	190	F10	58
MOD-QT 60	70	43	38	92	150	250	260	27.5	78	342	228	106	127	220	190	F10, F14	58
MOD-QT 80	70	43	38	92	150	250	260	27.5	78	342	228	106	127	220	190	F12, F14	58
MOD-QT 100	70	43	38	92	150	250	260	27.5	78	342	228	106	127	220	190	F12, F14	58
MOD-QT 150	70	43	38	92	150	250	260	112	78	342	228	106	127	220	190	F14	72
MOD-QT 200	70	43	38	92	150	250	260	112	78	342	228	106	127	220	190	F14, F16	72
MOD-QT 250	70	43	38	92	150	250	260	112	78	342	228	106	127	220	190	F14, F16	72

Wiring Diagram

On - Off Duty



Modulating



General Instructions

Important Notices and Maintenance Guidelines

- Check for correct voltage prior to wiring.
- Turn off power before service or for maintenance purposes.
- Use sealant to seal conduit connections after power distribution to prevent from dust or water.
- The electric actuator must not be installed below the horizon or upside down.
- Avoid installing near explosive atmospheres.*

- Not intended for vacuum spaces.
- Actuators should be stored at a clean and dry place, and protected with outer carton from being affected by great temperature difference or serious vibration.
- When more than one electric actuator is needed to operate simultaneously, please connect with individual cables to avoid parallel connection.
- Please connect the ground wire to PE inside the electric actuator.
- The warranty period is one year.

For any queries please contact : Cair Euromatic Automation Pvt. Ltd. - info@cairindia.in