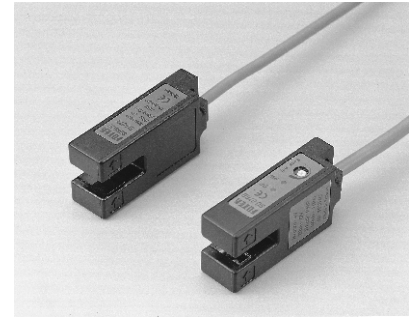


# SU-07 series

# U TYPE MARK & LABEL SENSOR

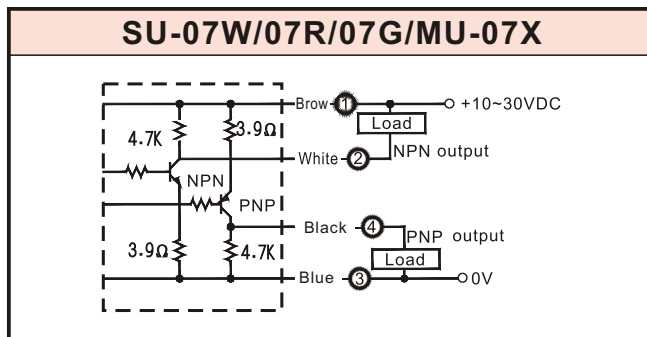
- ※ WHITE LIGHT MARK SENSOR
- EASY TO DETECT THE “REEN” OR “RED” MARK
- ※ HIGH STABILITY & RELIABILTY
- ※ LOW COST & HIGH QUALITY



## SPECIFICATION

TYPE 型式	MARK SENSOR			LABEL SENSOR
Model 型號	SU-07W	SU-07G	SU-07R	MU-07X
Emitter 發射光源	White Led	Green Led	Red Led	Infrared Led
Operating voltage 工作電壓	10-30 VDC; Ripple < 20% of peak to peak			
Current consumption 消耗電流	30 mA max.			
Sensitivity adjuster	270° Trimmer			
Output method 輸出方式	NPN & PNP two output			
Output current 輸出電流	150 mA max.			
Output status 輸出狀態	Standard : NO Type ; SU-07 -B : NC Type			
Protection circuit 保護迴路	Short Circuit & Polarity Reversed Protection			
Sensible object 可被檢測物	Transparent Object			Semi-Transparent
Min.sensible object 最小可檢測物	2.0 φ			
Response frequency 響應頻率	1 K Hz			
Illumination 耐外亂光	Lamplight <5000 LUX ; Sunlight < 10,000 LUX			
Connection method 接線方式	4 φ / 4 φ X 2m			
Housing material 外殼材質	Intensive ABS			
Operating temp/hum 工作環境	-20°C ~ + 60°C ; 35% ~ 85 % RH			
Protection 保護等級	IP-65			

## Output Circuit & Connection Diagram



## Dimension

