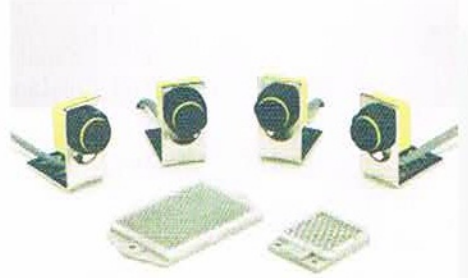


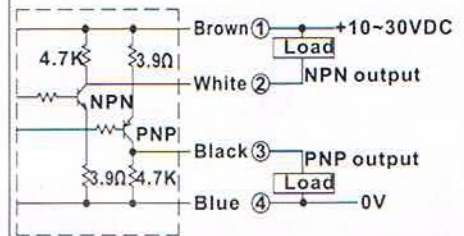
- Ultra short body length : 30 mm
- Ultra long setting distance : 30m
- Twice output : NPN & PNP
- High solid compact structure



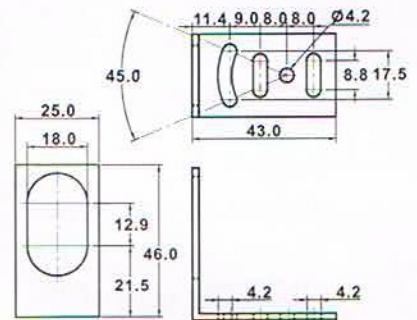
◆ General Specification / 共同規格

Specification	Data
Operating voltage 工作電壓	10 ~ 30VDC
Ripple of power 電源漣波	20% peak to peak
Output method 輸出方式	NPN & PNP two way output
Output current 輸出電流	150mA max.
Output status 輸出狀態	Standard : NO ; Appended with 「B」 : NC
Residual voltage 殘留電壓	0.1V max.
Leakage current 洩露電流	0.8mA max.
Protection circuit 保護電路	Short circuit & polarity reversed protection
Housing material 外殼材質	Intensive PBT
Illumination 耐外亂光	Lamp light <10,000Lux ; Sunlight <20,000Lux
Noise resistance 抗干擾	2kv / 1μs
Dielectric strength 電介強度	2.5kv / 1 minute min.
Insulation strength 絕緣強度	100 MΩ / 500vdc
Operating circumstance 工作環境	-25°C ~ +80°C ; 35% ~ 85% RH
Protection class 保護等級	IP-67
Approval 認證	CE

Connection diagram / 接線圖



Fixed Bracket / 固定架



◆ Outline dimension / 外形尺寸圖

Lead wire	M8 Lead wire	M12 Connector

◆ Reflex type / 反射型

Connection method		Lead wire		M8 Lead wire		M12 Connector	
Model	型號	R18-10X	R18-30X	R18-10X-PG	R18-30X-PG	R18-10X-M12	R18-30X-M12
Sensing distance	檢測距離	10 cm	30 cm	10 cm	30 cm	10 cm	30 cm
Sensitivity adjuster	感度調整	270 Trimmer				Non	
Emitter	發射光源	Infrared LED					
Current consumption	消耗電流	30mA max.					
Response time	反應時間	1.0 ms max.					
Approval	認證	CE					

◆ Mirror Reflex type / 鏡片反射型

Connection method		Lead wire			M8 Lead wire		
Model	型號	M18-3MX	M18-1MG	M18-2MRE	M18-3MX-PG	M18-1MG-PG	M18-2MRE-PG
Filter		Non	Non	Polarity	Non	Non	Polarity
Emitter	發射光源	Infrared LED	Blue LED	Red LED	Infrared LED	Blue LED	Red LED
Setting distance	設定距離	0.1~3.0m	0.2~1.2m	0.2~2.0m	0.1~3.0m	0.2~1.2m	0.2~2.0m
Sensitivity adjuster	感度調整	Non	270 Trimmer	270 Trimmer	Non	270 Trimmer	270 Trimmer
Sensible object	可被檢測物	Non-Transparent	Transparent	Non-Transparent	Non-Transparent	Transparent	Non-Transparent
Current consumption	消耗電流	30mA max.					
Response time	反應時間	1.0 ms max.					
Approval	認證	CE					
Connection method		M12 Connector					
Model	型號	M18-3MX-M12		M18-1MG-M12		M18-2MRE-M12	
Filter		Non		Non		Polarity	
Emitter	發射光源	Infrared LED		Blue LED		Red LED	
Setting distance	設定距離	0.1~3.0m		0.2~1.2m		0.2~2.0m	
Sensitivity adjuster	感度調整	Non		Non		Non	
Sensible object	可被檢測物	Non-Transparent		Transparent		Non-Transparent	
Current consumption	消耗電流	30mA max.					
Response time	反應時間	1.0 ms max.					
Approval	認證	CE					

◆ Thru beam type / 透過型

Connection method		Lead wire		M8 Lead wire		M12 Connector	
Model	型號	T18-30MX	T18-6MX	T18-30MX-PG	T18-6MX-PG	T18-30MX-M12	T18-6MX-M12
Sensing distance	設定距離	0~30m	0~6m	0~30m	0~6m	0~30m	0~6m
Sensitivity adjuster	發射光源	Infrared LED					
Emitter	感度調整	Non					
Current consumption	消耗電流	30mA max.					
Response time	反應時間	1.0 ms max.					
Approval	認證	CE / UL					