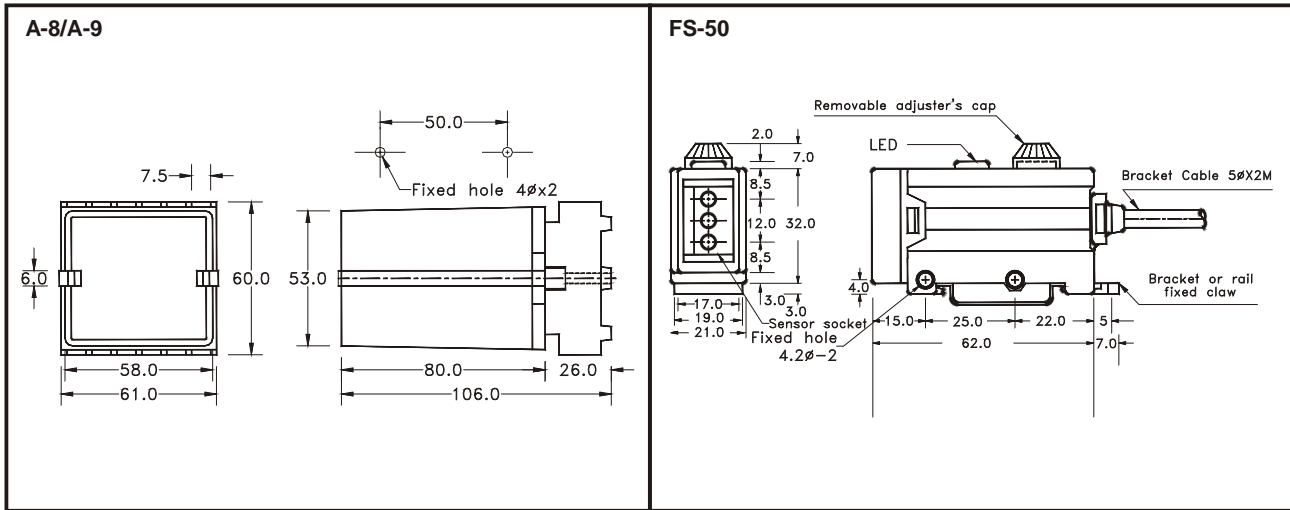


Amplifier Unit

Type	AC Type		DC Type
Model	A-8	A-9	FS-50
Operating Voltage	110/220VAC , 50/60Hz		11~30 VAC
Current Consumption	3VA max.		30mA max.
Response Time	15ms	2ms	2ms
Output Method	Relay , 5A/250 VAC		NPN & PNP , 150mA
Output Control	Non	Timer : 0.01s~10s Adjustable ON Delay OFF Delay One Shot	Non
Output Status	NO / NC Changeable		
Sensitivity Adjuster	270° Trimmer		
Operating Temp./Hum.	-20°C~+60°C ; 35%~250% RH		
Connection Diagram			

Dimension



Sensor Head Unit

Type	Shape & Dimension	Model	Light Source	Sensible Distance	Sensible Object	Illumination	Housing Material	Operating Temp
Thru Beam Type		SV-10	Green LED	15cm	2 φ	Infrared LED	Intensive-ABS	-20 °C +60 °C
		SV-15	Red LED	15cm	0.5 φ			
		SV-30	Red LED	30cm	1 φ			
		SV-50	Red LED	50cm	2 φ			
		SV-2M	Infrared	200cm	2 φ			
		SH-10	Green LED	15cm	2 φ	Lamp-light ≤ 10,000 LUX		
		SH-15	Red LED	15cm	0.5 φ			
		SH-30	Red LED	30cm	1 φ			
		SH-50	Red LED	50cm	2 φ			
		SH-2M	Infrared	200cm	2 φ			
	SC-10	Green LED	15cm	2 φ	Sunlight ≤ 30,000 LUX			
	SC-15	Red LED	15cm	0.5 φ				
	SC-30	Red LED	30cm	1 φ				
	SC-50	Red LED	50cm	2 φ				
	SC-2M	Infrared	200cm	2 φ				
Reflex Type		SB-03	Red LED	3m	2 φ	Lamp-light < 5,000 LUX		
		SB-10	Infrared LED	10cm	1 φ	Sunlight < 10,000 LUX		