



D164-OT

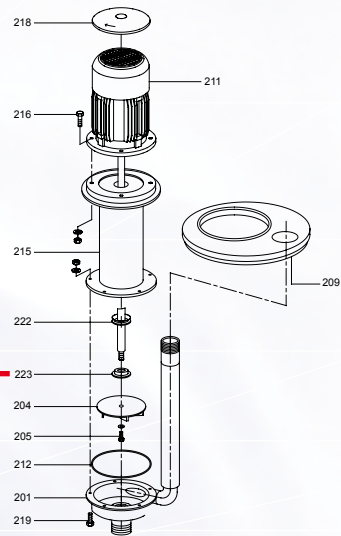


D161-X

(X = welded discharge pipe and PP mounting plate)



D165



2.000 - 40.000 l/h

Typical applications

- Alkaline cleaners
- Electroless nickel

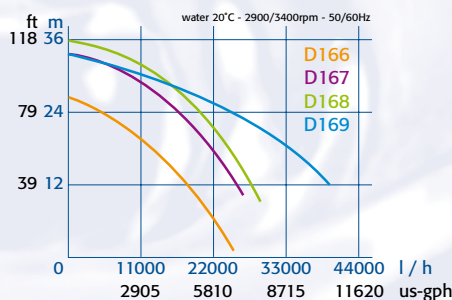
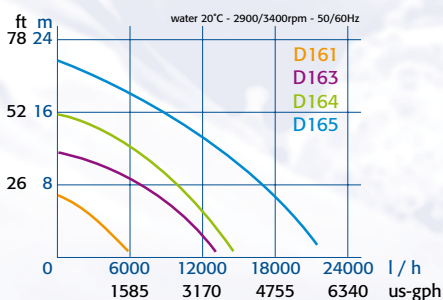
Features

- Sealless
- Self priming
- Integral drive shaft
- Fume protection

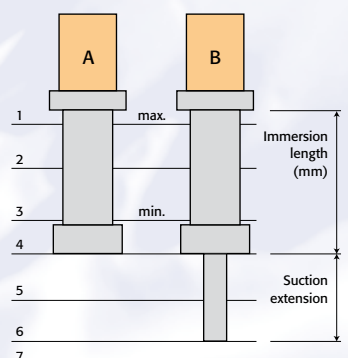
Options

- Suction extension pipe
- Customised mounting plate
- Customised immersion length
- Out of tank version (OT)
- MPT threaded discharge pipe (X version)

Vertical pumps series D160 - SS316



www.hendor.com



Type	kW	HP	Immersion length (mm)	In BSP	Out BSP	Out # X BSP
D161-(X)(OT)	0,37	1/2	270	3/4"	3/4"	3/4"
D163-(X)(OT)	0,75	1	378	1"	1"	1"
D164-(X)(OT)	1,1	1 1/2	382	1 1/4"	1"	1 1/4"
D165-(X)(OT)	1,5	2	393	1 1/2"	1 1/4"	1 1/2"

Type	kW	HP	Immersion length (mm)	In BSP	Out BSP	Out # X BSP
D166-(X)(OT)	2,2	3	393	1 1/2"	1 1/4"	1 1/2"
D167-(X)(OT)	3	4	399	2"	1 1/2"	1 1/2"
D168-(X)(OT)	4	5 1/2	399	2"	1 1/2"	2"
D169-(X)(OT)	5,5	7	399	2"	1 1/2"	2"