

Kinox KJD-1, Jet Hand Dryer

TECHNICAL DATA

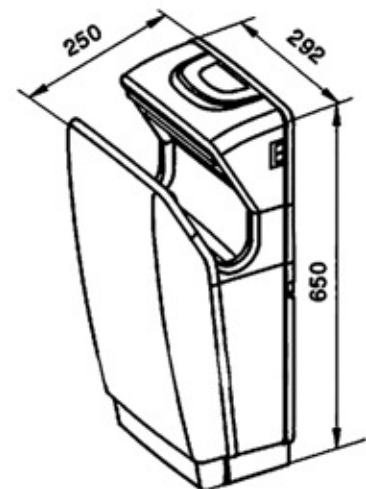
TECHNICAL SPECIFICATIONS

- Construction: Polycarbonate-ABS casing
- Mounting: Wall mounted on pressed galvanized steel back plate
- Operation: Touch-Free Infra-Red activation
- Hand Dry Time: Less than 10 seconds
- Auto Cutoff: 18 seconds
- Noise Level: 80 db(A)
- Motor: Brushless DC type
- Motor Speed: 18,000 RPM

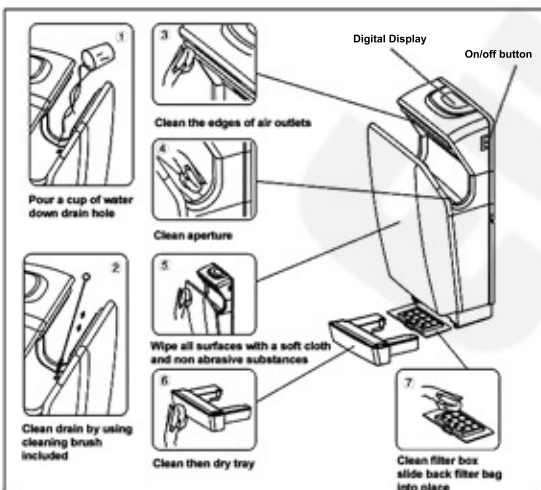
- Voltage: 220V/50Hz
- Rated Power: 850W
- Current: 6.5A
- Water Splash: IPx1
- Blowing Volume: 150m3/h
- Air Speed: 86 m/s
- Weight: 11 kgs
- Colour: White

FEATURES

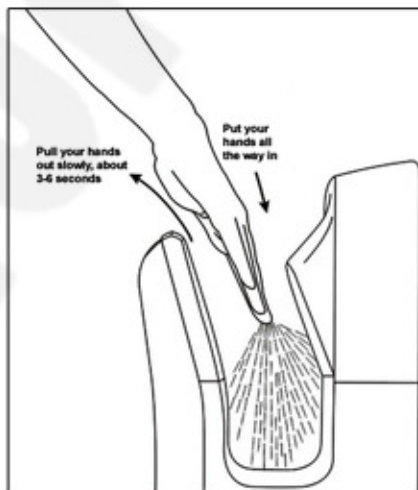
- Saves Electricity and Costs less to run - Dries Hand in less than 10 Seconds using 80% less energy than Normal warm Hand Dryer
- Carbon Footprint - The best Hand Drying alternative for environment with 70% smaller carbon footprint than Paper Towels
- Cost Effective - Compared to paper towels, the Euronics Jet Hand Dryer costs 95% less to operate and represents 83% less impact on our environment.
- Jet Hand Dryer dries 22 PAIR OF HANDS in the cost of 1 Paper Towel
- More Hygienic – Scraping water from hands like a windshield wiper (using air pressure not heating element), it's more hygienic than Normal Warm Dryer
- Cleanliness - Where paper towels dispensers contribute to waste paper thrown on the floor, the Euronics Jet Hand Dryer keeps a clean and sanitary environment at all times.
- Labor Cost - Further expenses related to paper towels include having employees fill dispensers, pick up litter, empty trash bins.



(Dimensions in mm)



MAINTENANCE

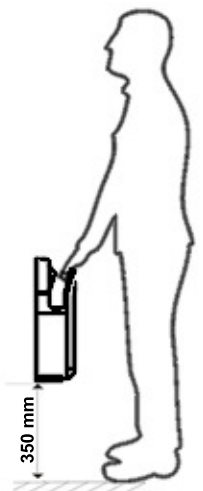


USING

RECOMMENDED MOUNTING HEIGHTS

From floor level

Men	Ladies	Disabled
13 inch	11 inch	4 inch
350 mm	300 mm	100 mm



Euronics