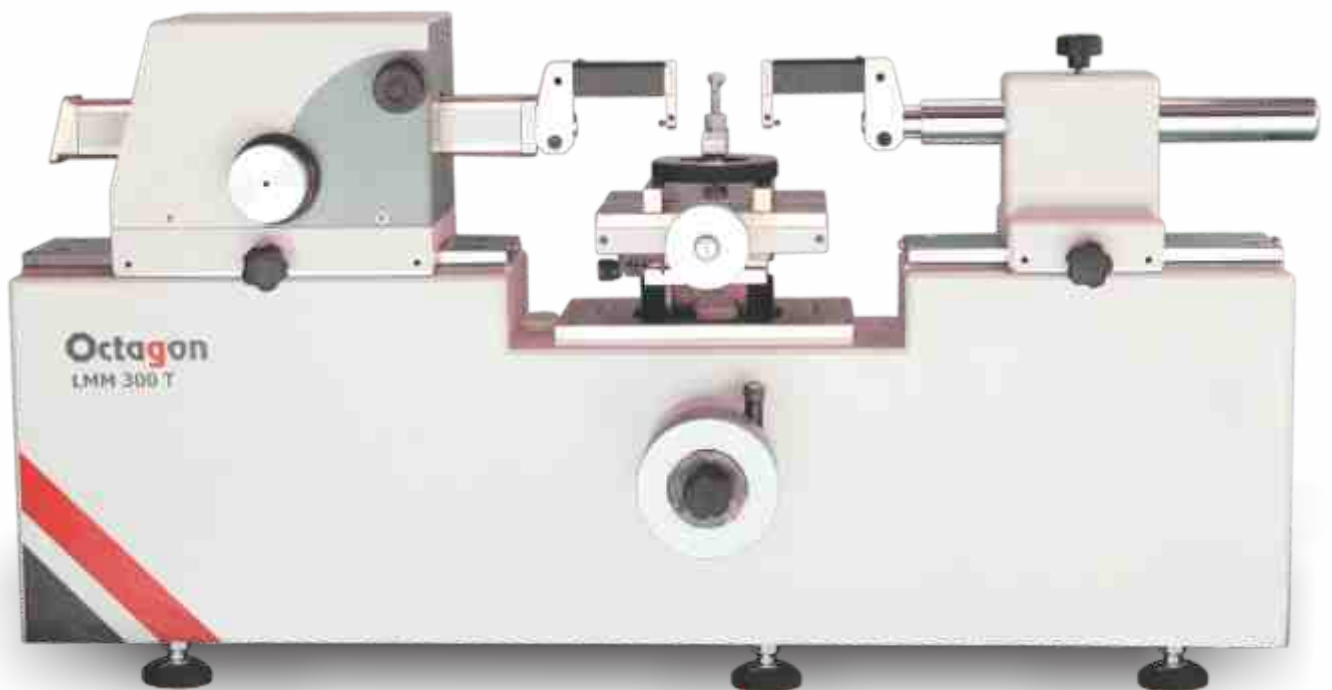


# LMM 300

Gauge Calibration

---

## Universal Length Measuring System



## LMM 300 / LMM 300T

### Universal Length Measuring Machine



#### Features :

- A model of Universal measuring machine specially designed as standard quality assurance tool in general engineering industry & reference instrument for gauge and test equipment calibration.
- Compliance with Abbe's comparator principle
- Precision work table provided with 5 axis adjustments for easy location of inversion point.
- Constant measuring force over entire measuring range
- High precision electronic incremental encoder system.
- Provided with variety of accessories to cater wide measurement applications.
- Most affordable price
- Taper measuring facility available with machine model LMM 300T which facilitates taper thread measurements also .
- A machine can be interfaced with Gauge measurement and management software.
- Optional facility for real time thermal error corrections through software.

Technical Specifications:	
<b>Measuring Range</b>	
Absolute	100 mm
Differential	400 mm
<b>Application Range</b>	
External Plain	0-400 mm
Internal Plain	3-300 mm
External Taper	up to 350 mm
Internal Taper*	3-100 mm
Cylindrical Thread External (d2) (Pitch: 0.2 - 6mm)	1-350 mm
Cylindrical Thread Internal (D2) (Pitch: 0.5 - 6mm)	3-300 mm
Taper Thread External (d2)*	up to 350 mm
Taper Thread Internal (D2)*	3 - 100 mm
Gear External (MdK)	7 - 300 mm
Gear Internal (MdK)	20 - 300 mm
<b>Measuring Instruments</b>	
Dial Indicators, Dial test indicators, Cylinder bore gauges, int. micrometer 3 point	up to 100 mm
External Micrometer, Internal micrometer - 2 point	up to 400 mm

Technical Specifications:	
<b>Performance data</b>	
X axis resolution	0.1 $\mu$ m
Measurement uncertainty	0.5 + L / 1000 $\mu$ m
Measuring force	0.2 N, 2 N
<b>Work Table / Vertical Axis</b>	
Work table dimension	160 x 160 mm
Height adjustment	75 mm
Resolution	0.1 $\mu$ m
Float	20 mm
Rotation	$\pm$ 1.5°
Tilt	$\pm$ 1.5°
Load Capacity	10 kg
<b>Dimensions, weight and operational conditions</b>	
L x W x H	850 x 250 x 470
Weight (kg)	70 kg
Power supply	230 VAC, 50 Hz
Display System	DRO / PC based

#### Notes:

- In some cases additional standards & optional accessories are required to archive the measuring range.
- Special accuracies, measuring ranges are available upon request.
- \* Available with Model LMM 300T

## Octagon ULM Inspect Gauge Measurement and Management Software



### Octagon ULM Inspect.

#### Features :

- Online Data acquisition from ULM
- Facility for thermal error corrections (Manual / Online)
- Automatic Reversal Point detection for dynamic data
- Operator guided measurement program for plain gauges, thread gauges, spline gauges and inspection / calibration measuring instruments like dial indicators, bore gauges and micrometers.
- Calibration report generation in the format complying to ISO/IEC 17025.
- Gauge record management including calibration date, user details, gauge type, due dates etc.



#### Basic Module:

- Operator guided measurement program for plain and thread gauges.
- Automatic Tolerance calculations for Plain gauges as per IS 3455 & ISO 919 metric thread gauges as per IS 4218, IS 2334 & ISO 965.
- Thread formulae evaluation for over wire / ball measurements.
- Facility for thermal error corrections ( Manual / on-line ), correction of systematic machine errors.
- Maintenance of Gauge records

#### Add-on Module 1

- Thread Gauge inspection program.
- This add-on module facilitates automatic tolerance calculations and measurement program for various types of thread gauges including ISO metric M, ISO metric MJ, Unified UN -UNR -UNJ, Withworth, ISO pipe G threads, ISO Trapezoidal, ACME Trapezoidal, Stub trapezoidal, Miniature, Buttress, Knuckle screw threads as per various National & International standards.

#### Add-on Module 2

- Inspection program for Gauge block / length Bar. This add-on module facilitates automatic tolerance calculations and measurement program for gauge blocks as per ISO 3650, IS 2984 and length Bars as per IS 7014.

#### Add-on Module 3

- Inspection program for Internal / external micrometers. This add-on module facilitates automatic tolerance calculations and measurement program for Internal micrometer as per IS 2966 and external micrometers as per IS 2967 standards.

#### Add on Module 4

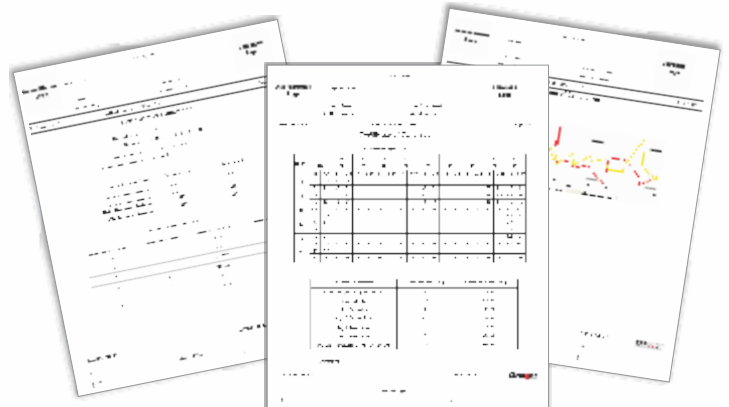
- Inspection program for Dial indicators & Cy. Bore Gauges. This add-on module facilitates automatic tolerance calculations and measurement program for Dial Indicators as per IS 2092, Dial test indicators as per IS 11498 and Cy. Bore Gauges as per JIS 7515 Standard.

#### Add on Module 5

- Inspection program for Spline Gauges This add-on module facilitates automatic tolerance calculations and measurement program for spline gauges as per ISO 4156.

#### Add on Module 6

- Inspection program for Taper Gauges. This add-on module facilitates automatic tolerance calculations and measurement program for Taper gauges as per IS 9475, IS 2251 and Taper thread gauges as per BS 21, ANSI/ASNE B1.20.1(NPT)

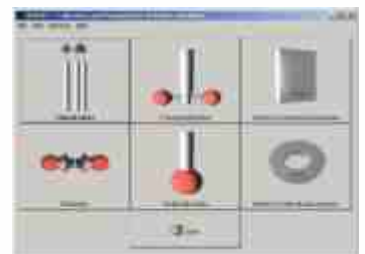


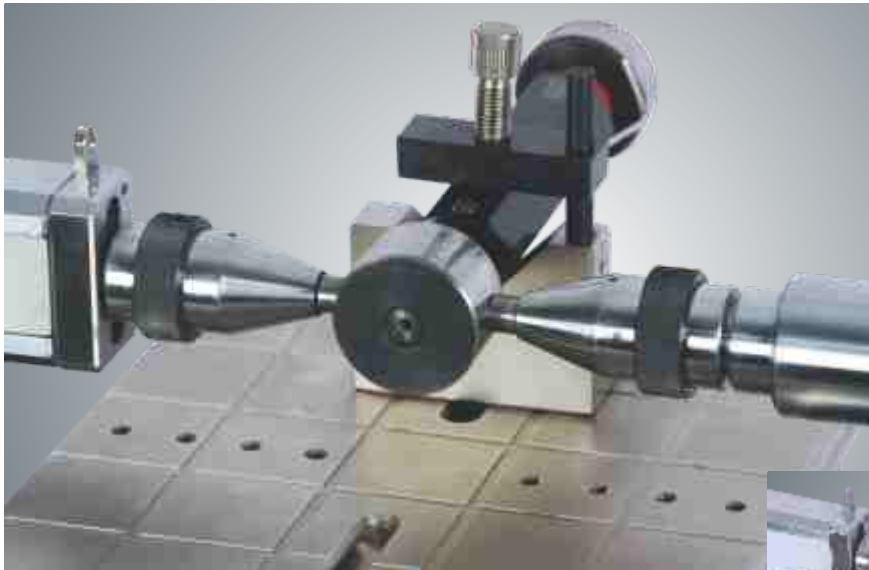
### QMSOFT® Gauge Management Software

Octagon Length Measurement machines can also be offered with QMSOFT® Software package from L&W GmbH as an alternative option.

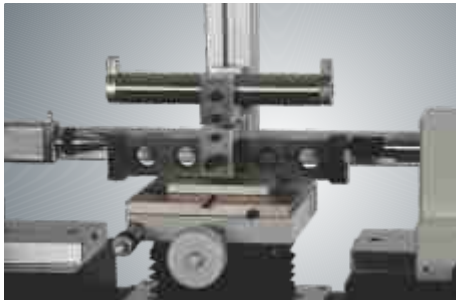
#### Features :

- All nominal sizes and tolerances for all related DIN or ISO standards as well as for ANSI standards, British standards and partly for Japanese, French or Korean standards are calculated by the program system.
- Gauge inspections will be started directly from the gauge management system and will be performed with inspection programs specially designed for the gauge type selected.
- Predefined inspection procedures does the following exactly the given rules and standards. So you do not need any preparation before starting a measurement.





Plug Gauge (below 40 mm) measurement : Hold in Vee block holder

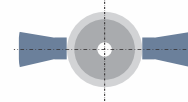


Plug Gauge (plate type) measurement : Hold on universal holder

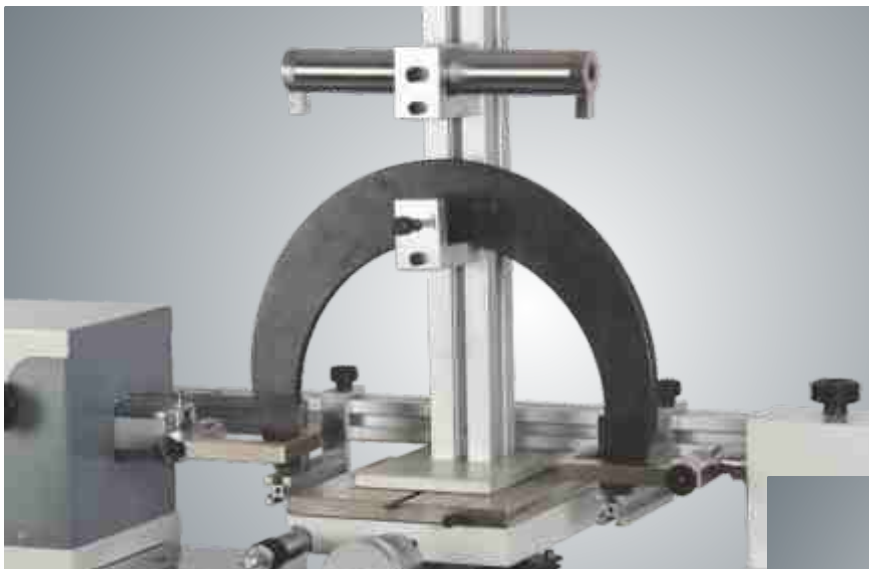


Plug Gauge (above 40 mm) measurement : Hold on parallel blocks

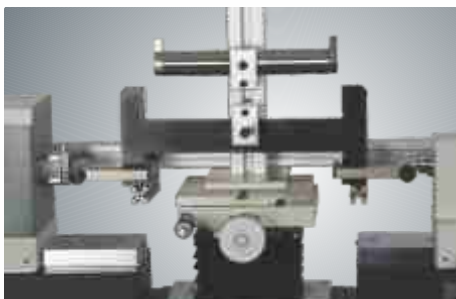
**External Measurements**  
**Plain Plug Gauge / Cy. Standard Measurement :**  
By using a pair of Flat Anvils 8 mm dia.



Measurement of cylinder diameter across flat anvils

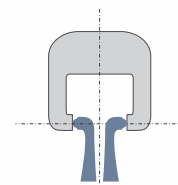


Snap Gauge C Type (above 300 mm) measurement : Hold on universal holder



Snap Gauge ( I type) measurement : Hold on universal holder

**Internal Measurements**  
**Snap Gauge Measurement :**  
By using fixed dual arms



Measurement of gap by using spherical contact fixed dual arms

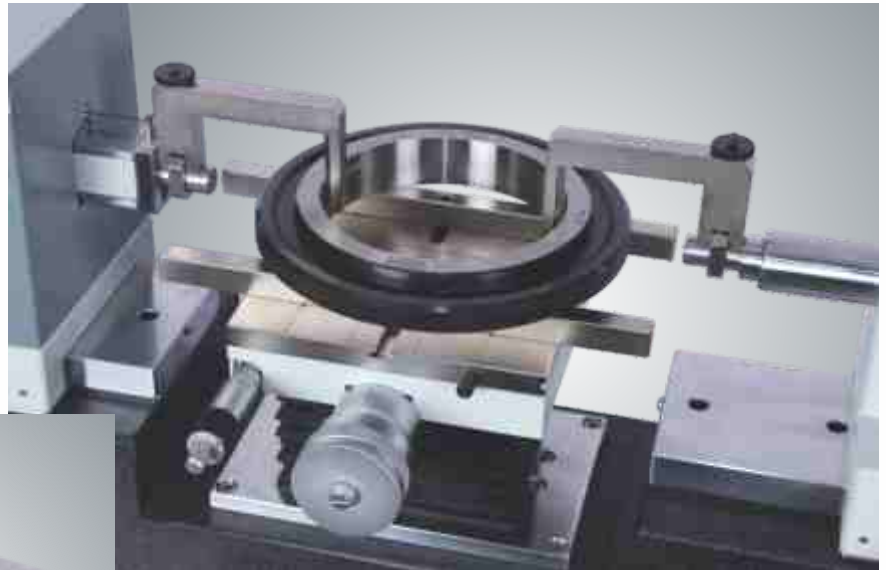


Snap Gauge (below 300 mm) measurement : Hold on snap gauge holding attachment

**Internal Measurements**

**Ring Gauge Measurement :**

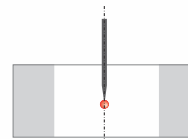
By using Single Arm measuring attachment and / Or by using a pair of fixed dual arms.



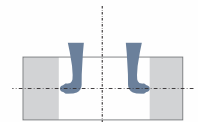
Plain ring diameter (above 10 mm) measurement : Using a pair of fixed arms



Plain ring diameter (above 2 mm) measurement : Using a Single Ruby Ball Stylus with bi-directional probing system of single arm measuring attachment



Measurement of internal diameter by using single arm measuring attachment with one axis bi-directional probing

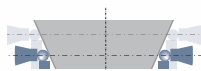


Measurement of internal diameter by using spherical contact fixed dual arms

**External & Internal Taper Measurements :**

**Taper Plug Gauge / Taper Ring Gauge**

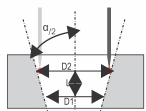
By using Single Arm measuring attachment and / Or by a pair of Flat Anvils 8 mm dia.



Measurement of Taper angle and diameter by Precision cylindrical pin gauges.



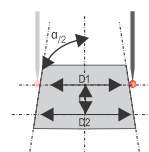
Taper plug gauge measurement : By using cylindrical pin gauges (over pin measurement)



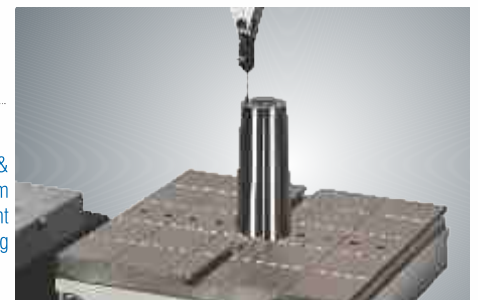
Measurement of Taper angle and diameter by using single arm measuring attachment with two axis bi-directional probing



Taper ring gauge measurement : Using a Single Ruby Ball Stylus with bi-directional probing system of single arm measuring attachment



Measurement of Taper angle & diameter by using single arm measuring attachment with two axis bi-directional probing



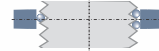
Taper Plug gauge measurement : Using a Single Ruby Ball Stylus with bi-directional probing system of single arm measuring attachment



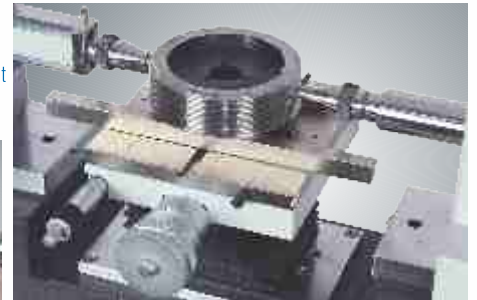
**Cylindrical Thread Measurement ( External )**

**Thread Plug Gauge Measurement :**

By using three wire method : a pair of Flat Anvils 8 mm dia. & Thread measuring wires



Three Wire Method For Measurement Of Effective Diameter (d2) Of External Thread



Cy. Thread Plug Gauge (below 100 mm) measurement : Hold between center table

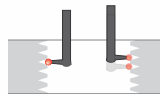
Cy. Thread Plug Gauge Measurement of Effective diameter Below 40 mm : Hold in Vee block holder

Above 40 mm : Hold on parallel blocks

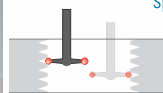
**Cylindrical Thread Measurement ( Internal )**

**Thread Ring Gauge Measurement :**

Single Arm Measurement /Dual Arms Measurement



Thread ring gauge measurement of Effective Diameter (D2) by using flexible dual arm & spherical ruby styli

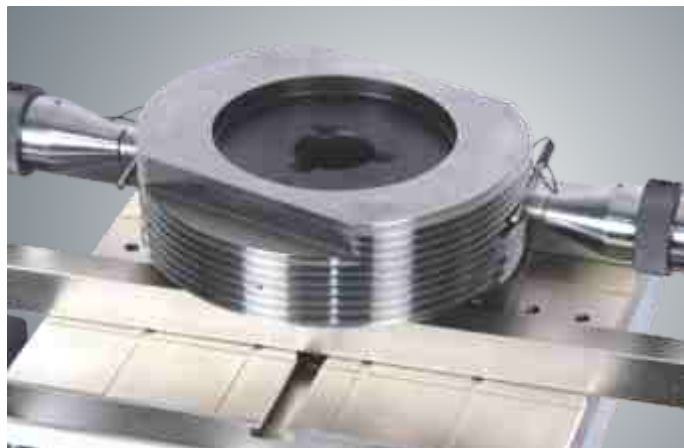


Thread ring gauge measurement of Effective Diameter (D2) by using single arm measurement attachment with single axis bi-directional probe & T-shape stylus



Cy. Measurement of effective diameter by using single arm measuring attachment & Precision Ruby T-Shape styli

Cy. Thread Ring gauge measurement of effective diameter by Precision Ruby ball styli and flexible dual measuring arms



Measurement of effective diameter by thread measuring wires

**Taper Thread Plug Gauge Measurement :**

By using thread measuring wires and a pair of flat Anvils (8 mm) and / or by using Single Arm Measuring attachment with  $\mu_{2d}$  probe (Two axis bi-directional probing) and T-shape Ruby stylus.



Taper Thread plug gauge measurement of d2 by using thread measuring wires and a pair of flat anvils



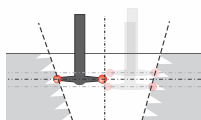
Taper thread plug gauge measurement of d2 by using single arm measurement attachment



Measurement of effective diameter by T Shape Ruby Stylus Two axis bi-directional probing

**Taper Thread Ring Gauge Measurement :**

By using Single Arm Measuring attachment with  $\mu_{2d}$  probe (Two axis bi-directional probing) and T-shape Ruby stylus.

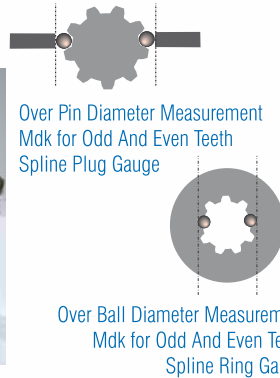


Taper thread ring gauge measurement of D2 by using single arm measurement attachment



Measurement of effective diameter by T Shape Ruby Stylus Two axis bi-directional probing

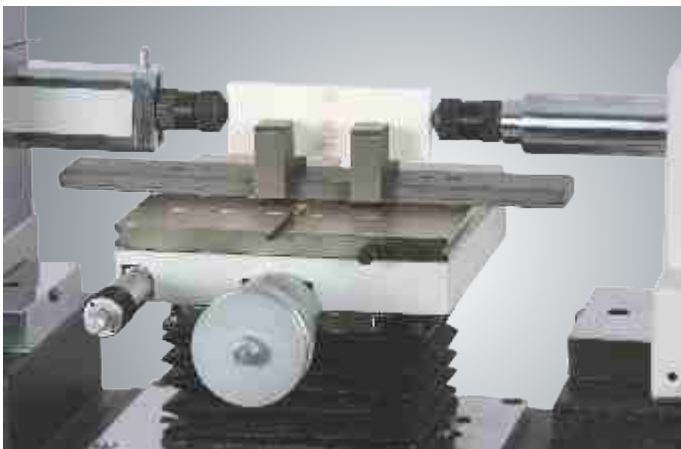
**Gear Measurement :**  
**Spline Plug Gauge, Spline Ring Gauge measurement**



Spline plug gauge measurement by using cylindrical pins and a pair of flat anvils

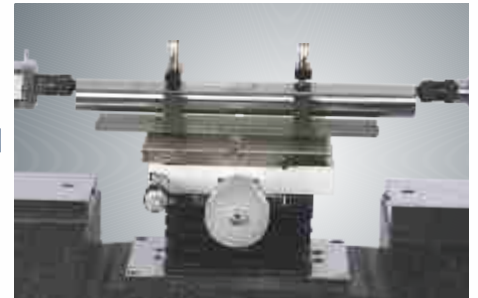
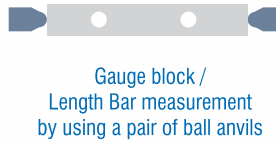


Spline ring gauge measurement by using fixed dual arm and precision spherical styli : Hold on floating table.



Gauge block measurement : Hold on table by using holding attachment

**Calibration / Inspection of measuring instruments :**  
**Gauge Block, length Bar, setting standards measurements :**  
By using a pair of spherical Anvils



Length bar measurement : Hold on table by using holding attachment

**Calibration / Inspection of measuring instruments :**  
Dial Indicators, Dial Test Indicators, Bore Gauge



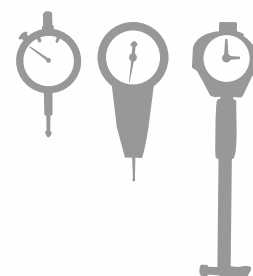
Dial Indicator Calibration : Hold on table by using holding attachment



Bore Gauge Calibration : Hold on table by using holding attachment and machine spindle drive unit.

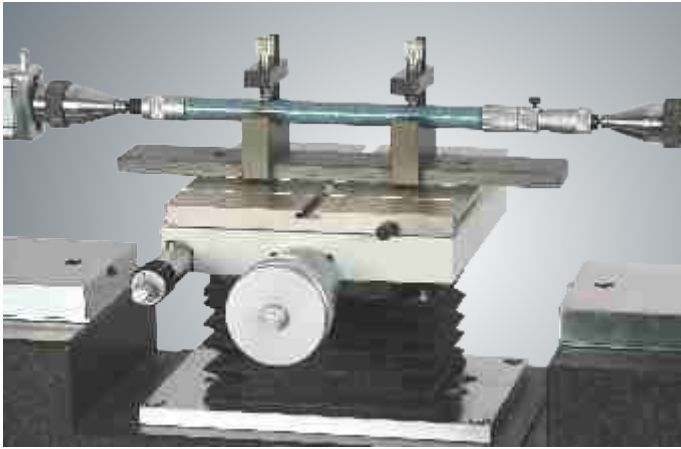


Dial Test Indicator Calibration : Hold on table by using holding attachment



# Universal Length Measuring System For Calibration Metrology

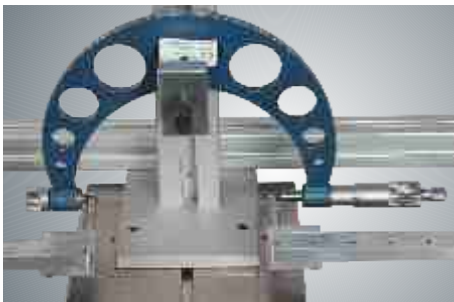
**Calibration / Inspection of measuring instruments :**  
External Micrometers / Internal Micrometers, Calipers.



Internal Micrometer (2 point) Calibration : Hold on table by using holding attachment



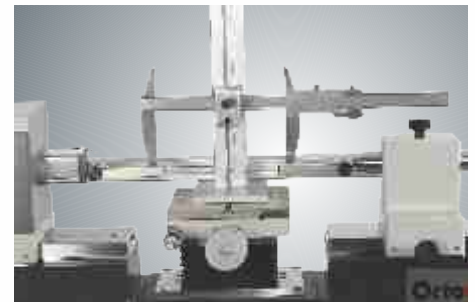
Internal micrometer (3 point) Calibration : By using V reference standards and Flat anvil.



External Micrometer (above 150 mm) Calibration :  
Hold on universal holder.



External Micrometer (Below 150 mm) Calibration :  
Hold on table by using C clamp



Caliper Calibration : Hold on universal holder



**Octagon**<sup>®</sup>  
PRECISION

**Octagon Precision (India) Pvt. Ltd.**

Regd. Off. : 3 / 19 Girija Society, M.I.T. College Road, Kothrud, Pune 411029. India  
Plant : S.No. 15 A/2, J7 & J8, GKD Industrial Estate, Nandedgaon, Sinhgad Road, Pune 411041.  
Tel. : + 91 - 20 - 3231 8697  
Fax : + 91 - 20 - 2543 9282  
E-mail : sales@octagon.co.in  
Web : www.octagon.co.in