

CORNER GUARDS

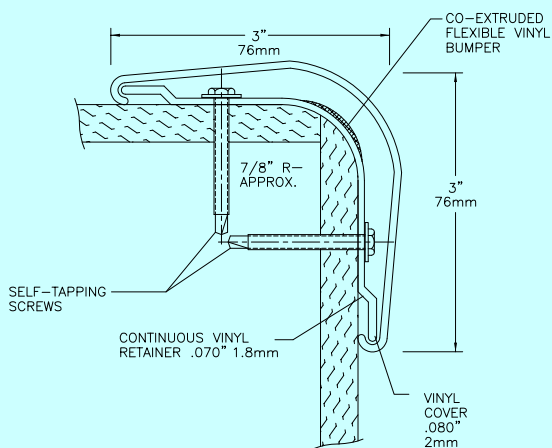


CORNER GUARDS

Corner Guards are constructed from high impact resistance NATURAL rubber. They are designed to protect the edges of columns in structures. Corner Guards (Column-Guards) relieves the tension of chipped & broken corners of pillars / columns. They are mounted onto the edges of, preferably all the 4 edges of square columns of basement parking as well as the edges of walls in industrial premises. They are suitable for medium & heavy traffic areas & also moving trolleys / objects. They are a perfect solution for chipped edges in car parks, hospitals, nursing homes, laboratories, hotels, schools, sports areas and a multitudes of other commercial properties.

FEATURES:-

- Corner Guards come in a standard length of 1 meter, 1.2 meters & 1.5 meters. Other sizes available on request.
- Standard color of Corner Guard is black, but Yellow cover strips are available on request.
- The guard is available with or without galvanized - iron insert clips.
- Appropriate for Indoor and Outdoor Protection.
- Application include car-parks, basement parkings, industrial & commercial premises.
- In-plant corners protection from moving objects.
- Resistant to all type of weather.
- Installs easily with the help of anchor fasteners and epoxy.
- One piece construction.
- Chipping of the column edges is prevented, hence maintenance is avoided.



Kiran
Rubber
Industries

135, Shiv-Krupa Industrial Estate,
LBS Road, Opp. Raj Legacy,
Vikhroli (W), Mumbai 400 083.

Tel. : +91 (0) 22 4263-7400
Fax : +91 (0) 22 4263-7499
E-Mail : info@kiranrubber.com
Website : www.kiranrubber.com