

# DL Series

Submersible pumps for solid-laden wastewater. Made in cast iron and stainless steel, with mechanical seal and versions with single-channel impeller and Vortex impeller.

## Specifications

Delivery: up to 42 m<sup>3</sup>/h  
Head: up to 22 m  
Power supply: three-phase and single-phase 50 and 60 Hz  
Power: 0.6 kW to 1.5 kW  
Maximum immersion depth: 5 m  
Temperature of pumped liquid: 0°C to +50°C (with pump totally immersed)  
0°C to +25°C (with pump partially immersed)  
Liquids with suspended solids: up to 45 mm (DL80-90-105 Minivortex-Vortex)  
up to 50 mm (DL109-125, DLV100-115)  
Protection: IP68  
Length of cable: 5 m

## Materials

Pump body: Cast iron  
Suction flange, feet, shaft extension, motor casing, impeller: Stainless steel  
Elastomers: NBR  
Mechanical seal: Carbon/Ceramic/NBR  
Discharge elbow: Cast iron

## Applications

Pumping of sewage with suspended solids and filaments

Draining of septic tanks, sumps and wastewater discharge tanks

Emptying of drains and tanks in industrial and ecological applications

Emptying of tanks or reservoirs

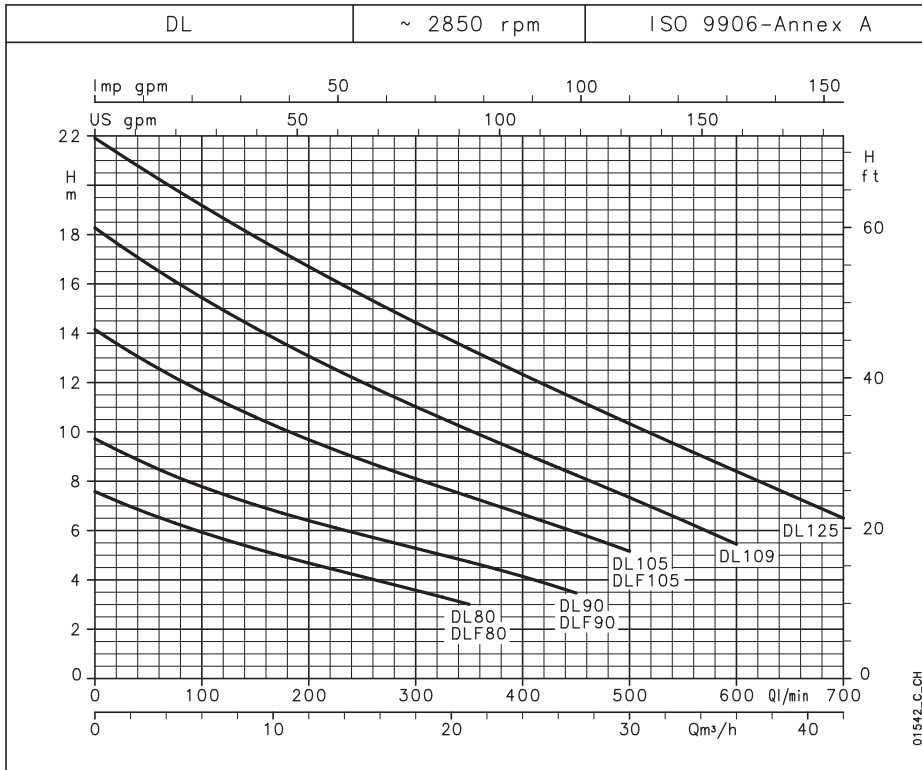
Emergency draining in flooded areas



# DL SERIES

## Operating characteristics at 50 Hz, 2 poles

3



# DL SERIES

## Hydraulic performance table

PUMP TYPE	RATED POWER		Q = DELIVERY												
			l/min	0	100	150	200	250	300	350	400	450	500	600	700
	kW	HP	m³/h	0	6	9	12	15	18	21	24	27	30	36	42
H = TOTAL HEAD METRES COLUMN OF WATER															
DL(M) 80-DLF(M) 80	0,6	0,8	7,6	5,9	5,3	4,7	4,1	3,6	3,0						
DL(M) 90-DLF(M) 90	0,6	0,8	9,7	7,8	7,0	6,4	5,8	5,3	4,7	4,1	3,5				
DL 105 - DLF105	1,1	1,5	14,1	11,6	10,6	9,7	8,9	8,1	7,4	6,7	5,9	5,2			
DL(M) 109	1,1	1,5	18,3	15,4	14,2	13,1	12,0	11,0	10,1	9,2	8,2	7,3	5,4		
DL 125	1,5	2	21,9	19,2	17,9	16,7	15,5	14,4	13,4	12,3	11,3	10,3	8,4	6,5	

These performances are valid for liquids with density  $\rho = 1,0 \text{ kg/dm}^3$  and kinematic viscosity  $\nu = 1 \text{ mm}^2/\text{s}$ .

dl-2p50-en\_b\_th

## Electrical data

PUMP TYPE	ABSORBED POWER*	ABSORBED CURRENT*	CAPACITOR
SINGLE-PHASE	kW	A	
DLM80-DLFM80	0,79	3,91	25
DLM90-DLFM90	0,89	4,27	25
-	-	-	-
DLM109	1,55	6,87	35
-	-	-	-

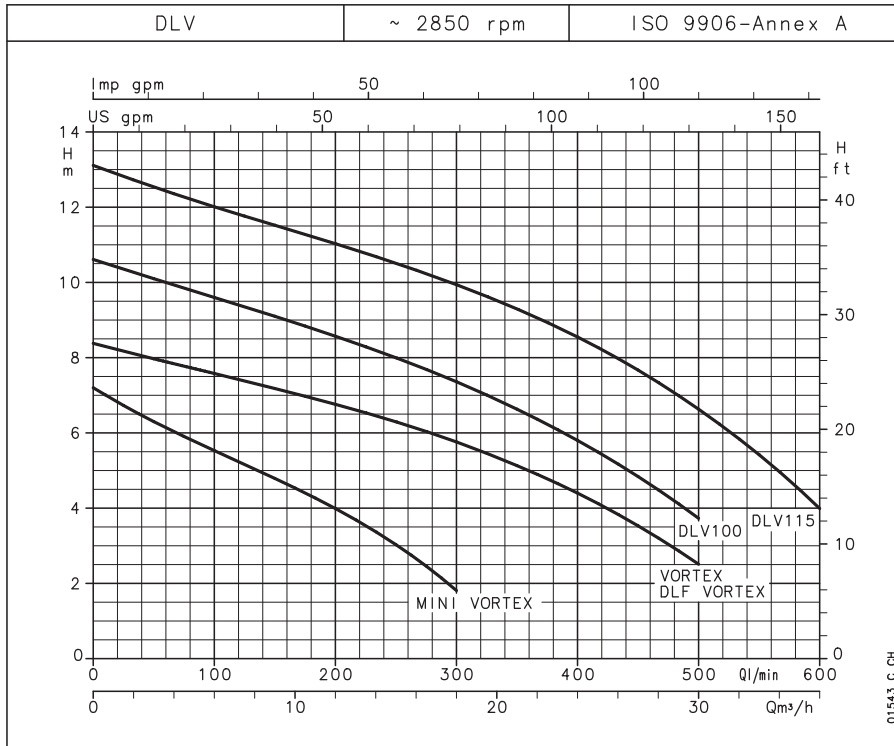
PUMP TYPE	ABSORBED POWER*	ABSORBED CURRENT*	ABSORBED CURRENT*
THREE-PHASE	kW	A	A
DL80-DLF80	0,8	-	2,09
DL90-DLF90	0,92	3,81	2,2
DL105-DLF105	1,43	4,66	2,69
DL109	1,54	5,44	3,14
DL125	2,14	6,58	3,8

\*Maximum values within operating range.

dl-2p50-en\_b\_te

# DLV SERIES

## Operating characteristics at 50 Hz, 2 poles



# DLV SERIES

## Hydraulic performance table

PUMP TYPE	RATED POWER		Q = DELIVERY												
			l/min	50	100	150	200	250	300	350	400	450	500	600	
			m³/h	3	6	9	12	15	18	21	24	27	30	36	
H = TOTAL HEAD METRES COLUMN OF WATER															
MINI VORTEX(M)	0,6	0,8	7,2	6,3	5,5	4,8	4,0	3,0	1,8						
VORTEX-DLF VORTEX	1,1	1,5	8,4	8,0	7,6	7,2	6,8	6,3	5,8	5,1	4,4	3,5	2,5		
DLV(M) 100	1,1	1,5	10,6	10,1	9,6	9,1	8,6	8,0	7,4	6,6	5,8	4,8	3,7		
DLV 115	1,5	2	13,1	12,5	12,0	11,5	11,0	10,5	9,9	9,3	8,5	7,7	6,6	4,0	

These performances are valid for liquids with density  $\rho = 1,0 \text{ kg/dm}^3$  and kinematic viscosity  $\nu = 1 \text{ mm}^2/\text{s}$ .

dlv-2p50-en\_b\_th

## Electrical data

PUMP TYPE	ABSORBED POWER*	ABSORBED CURRENT*	CAPACITOR	PUMP TYPE	ABSORBED POWER*	ABSORBED CURRENT*	ABSORBED CURRENT*
	kW	A	$\mu\text{F} / 450 \text{ V}$		kW	A	A
MINI VORTEX M	1,05	4,82	25	MINI VORTEX	1,10	-	2,36
-	-	-	-	VORTEX-DLF VORTEX	1,66	5,11	2,95
DLVM100	1,64	7,30	35	DLV 100	1,65	5,63	3,25
-	-	-	-	DLV 115	2,25	6,81	3,93

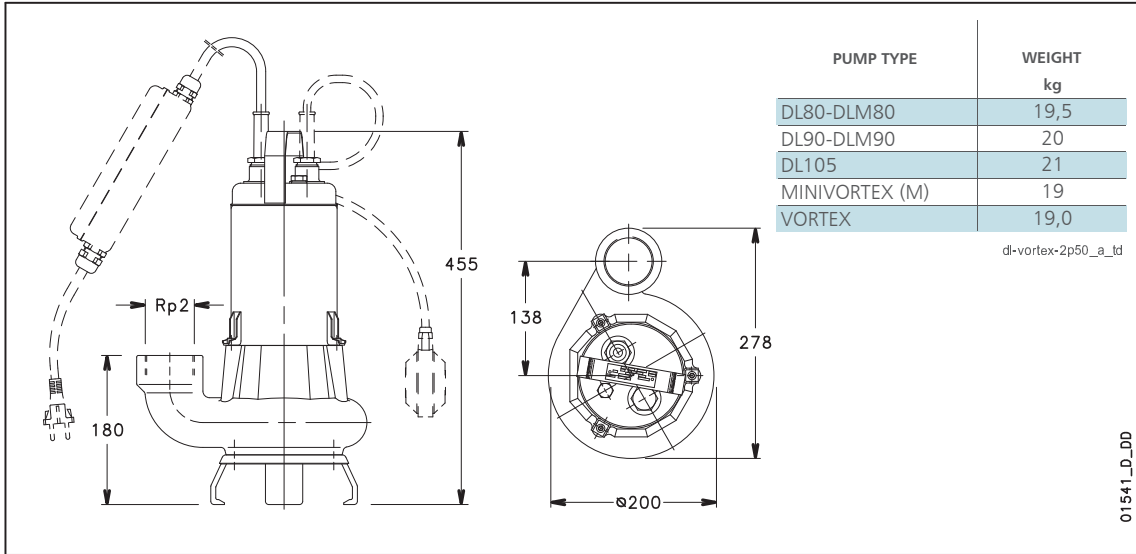
\*Maximum values within operating range.

dlv-2p50-en\_b\_te

# DL - VORTEX SERIES

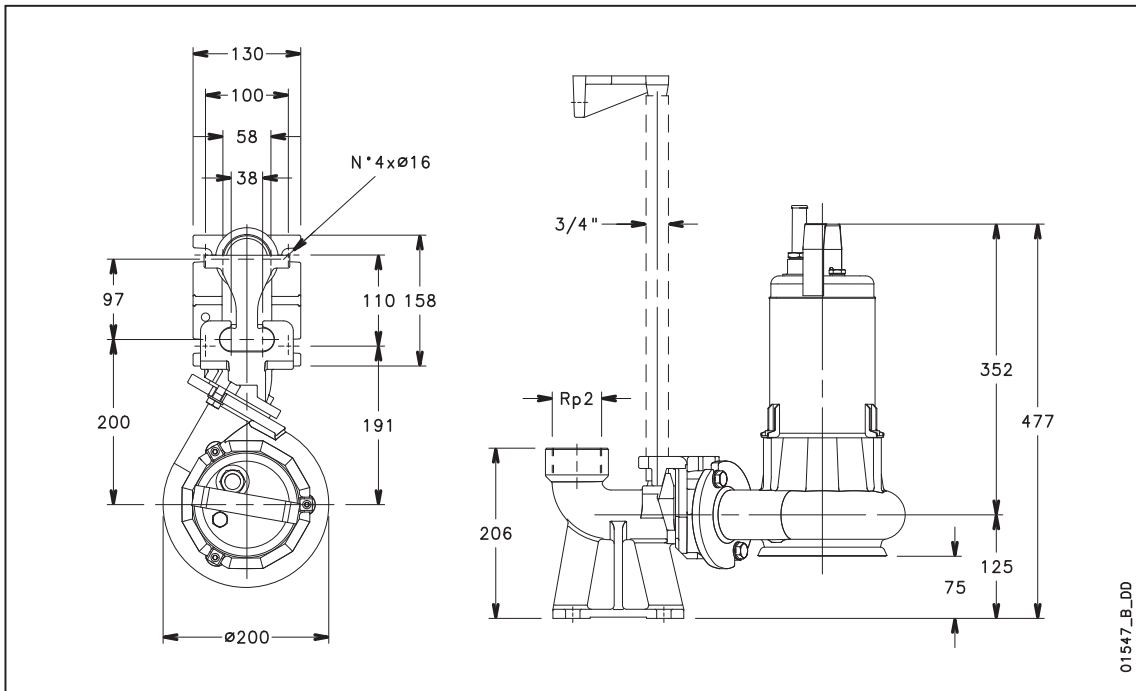
## Dimensions and weights

3



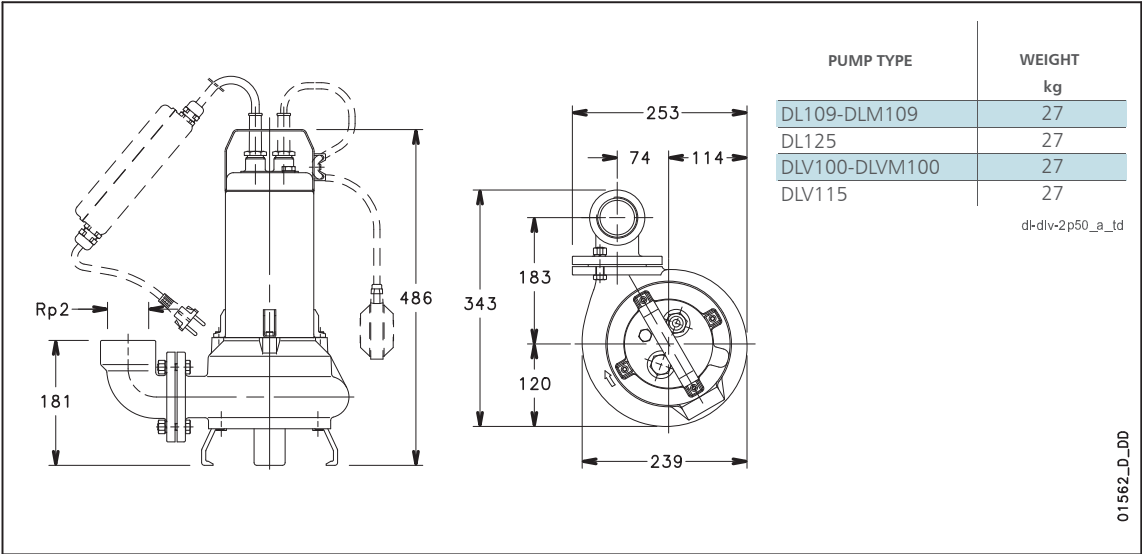
# DLF SERIES

## Installations examples



# DL - VORTEX SERIES

## Dimensions and weights



3

# DL - VORTEX SERIES

## Installations examples

