



**Designed for Closed Hydronic
Heating and Cooling Systems**

ASME Expansion Tanks Series "B" Full Acceptance Pre-Charged Bladder Tanks

- **Increases System Performance**
- **Reduces Oxygen Corrosion**
- **Prevents Waterlogging**
- **Replaceable Bladder**
- **Meets ASME Section VIII, Division 1 Standards**
- **125 PSI Working Pressure Standard**
- **High Maximum Operating Temperature 240°F**
- **Seismic Restraints Available**
- **Sight Glass Available**
- **Higher Working Pressure of 175 PSI & 250 PSI Available**

Series "B" Full Acceptance Tanks

DESCRIPTION

Series "B" expansion tanks are ASME rated pre-charged bladder-type pressure vessels. The Series "B" tank is designed to absorb the expansion forces of heating/cooling system water while maintaining proper system pressurization under varying operating conditions. The heavy duty bladder contains system water thereby eliminating tank corrosion and waterlogging problems.

OPERATING DATA

Maximum working pressure 125 PSI (862kPa)
Maximum operating temperature 240°F (115°C)

MATERIALS OF CONSTRUCTION

System Connection: Forged Steel
Shell: Carbon Steel
Bladder: Heavy Duty Butyl Rubber
Designed and Constructed per ASME Section VIII, Division 1

Dimensions: Gallons (Ltrs.), Inches (mm), Weights: LBS. (KG)

PART NUMBER	MODEL NUMBER	TANK VOLUME	ACCEPTANCE VOLUME	A	B	C (NPTF)	D	E	F	APPROX. SHPG. WT.	APPROX. WT. 100% FULL*
116550	B-200	53 (200)	53 (200)	24 (610)	36 ⁷ / ₈ (936)	1	3/4	19 (483)	3/16 (5)	192 (87)	629 (285)
116551	B-300	80 (300)	80 (300)		50 ⁷ / ₈ (1292)					268 (122)	928 (421)
116552	B-400	106 (400)	106 (400)		64 ³ / ₄ (1644)					309 (140)	1184 (537)
116553	B-500	132 (500)	132 (500)	30 (762)	78 (1981)	1	1	24 (610)	328 (149)	1417 (643)	
116554	B-600	158 (600)	158 (600)		63 ³ / ₄ (1619)				510 (232)	1814 (823)	
116555	B-800	211 (800)	211 (800)	36 (914)	81 ³ / ₄ (2076)	1 1/2	1 1/4	30 (762)	656 (297)	2306 (1046)	
116556	B-1000	264 (1000)	264 (1000)		73 (1854)				691 (313)	2869 (1301)	
116557	B-1200	317 (1200)	317 (1200)		85 ³ / ₈ (2169)				779 (353)	3394 (1539)	
116558	B-1400	370 (1400)	370 (1400)	48 (1219)	97 ³ / ₄ (2483)	2	1 1/2	42 (1067)	905 (410)	3958 (1795)	
116559	B-1600	422 (1600)	422 (1600)		69 ¹ / ₈ (1756)				1183 (537)	4665 (2116)	
116560	B-2000	528 (2000)	528 (2000)	54 (1372)	84 (2145)	3	1 1/2	54 (1372)	1264 (573)	5620 (2549)	
116793	B-2500	660 (2500)	660 (2500)		100 ⁷ / ₈ (2562)				1445 (655)	6890 (3125)	
116794	B-3000	792 (3000)	792 (3000)		118 ¹ / ₈ (3000)				1630 (739)	8164 (3703)	
116795	B-3500	925 (3500)	925 (3500)	60 (1524)	111 (2820)	2	1 1/2	54 (1372)	2110 (957)	9741 (4418)	
116796	B-4000	1057 (4000)	1057 (4000)		124 ¹ / ₂ (3163)				2230 (1011)	10950 (4967)	
116819	B-5000	1321 (5000)	1321 (5000)	72 (1829)	128 (3251)	3	1 1/2	54 (1372)	2450 (1111)	13403 (6079)	
116841	B-7500	1980 (7500)	1980 (7500)		127 (3326)				4000 (1814)	20500 (9299)	
116842	B-10000	2640 (10000)	2640 (10000)		159 (4039)				4900 (2223)	26890 (12197)	
116843	B-15000	3963 (15000)	3963 (15000)	233 (5918)	233 (5918)	6000 (2721)	39010 (17695)				

Dimensions subject to change. Not to be used for construction purposes *Approximate weight 100% full occurs if bag fails or if air charge is lost. Refer to submittals for optional seismic restraints.

TYPICAL HYDRONIC HEATING/COOLING APPLICATION

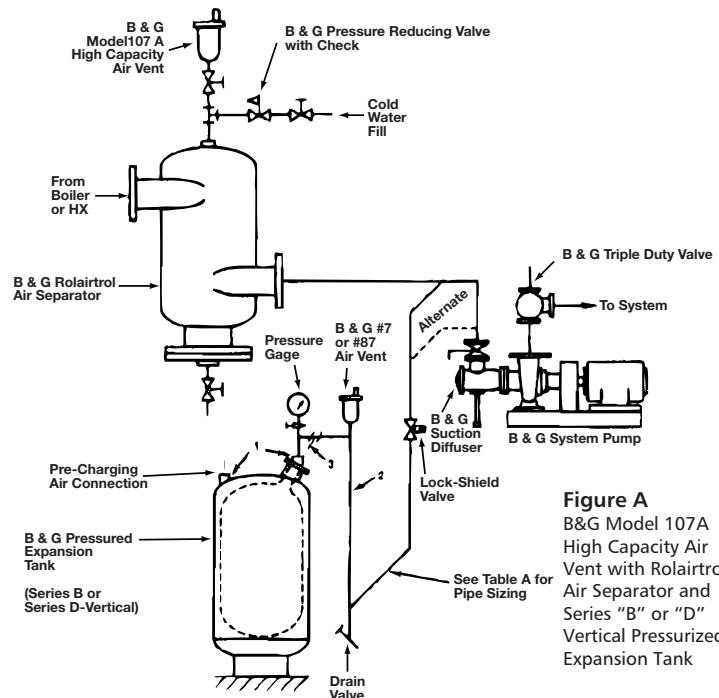
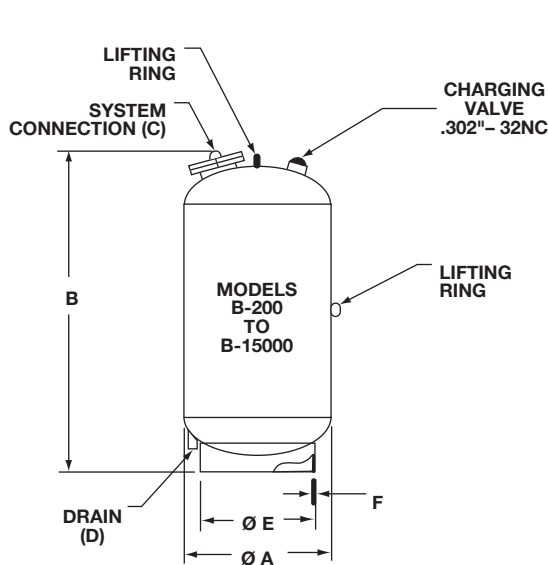


Figure A
B&G Model 107A High Capacity Air Vent with Rolairtrol Air Separator and Series "B" or "D" Vertical Pressurized Expansion Tank

NOTE: Tanks are factory pre-charged at 12 PSI (83 kPa).



Xylem Inc.
8200 N. Austin Avenue
Morton Grove, Illinois 60053
Phone: (847) 966-3700
Fax: (847) 965-8379
www.xylem.com/brands/bellgossett

Bell & Gossett is a trademark of Xylem Inc. or one of its subsidiaries.
© 2011 Xylem Inc. A-350C June 2007