

MB1 Low Temperature Metallic Bellow Seals



Your Partner for Sealing Solutions . . .

Application

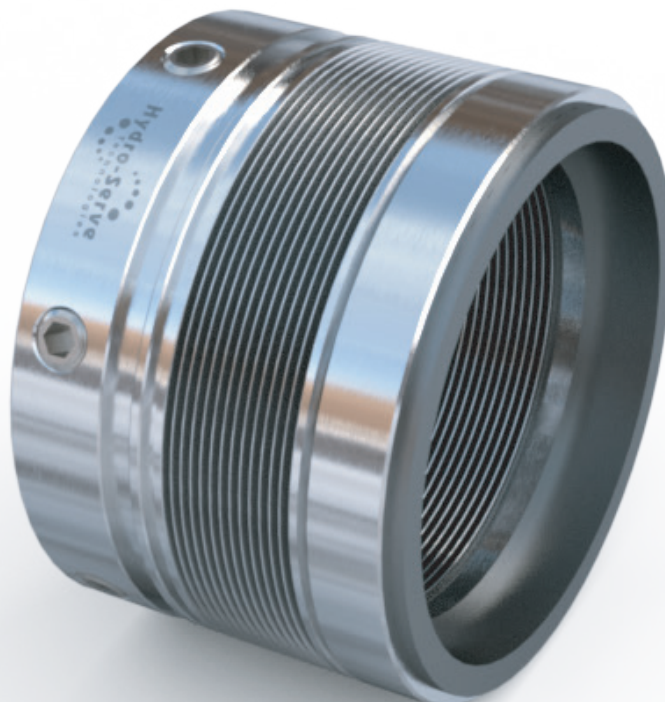
The MB1 metal bellow seals are widely utilized in applications involving moderate temperature oils and hydrocarbons. These seals offer several advantages in such environments. One notable feature of the MB1 seal is its high degree of axial flexibility, which allows it to compensate for shaft misalignment or lack of concentricity. This flexibility enables the seal to maintain effective sealing performance even in situations where the shaft undergoes thrust movement. Additionally, the MB1 seals are particularly well-suited for high-temperature applications commonly found in industries such as refineries, petrochemical plants, and the oil and gas sector. The seals are designed to withstand the extreme temperatures typically encountered in these environments. This makes them a reliable sealing solution for processes involving hot oils, hydrocarbons, and other high-temperature fluids. An important advantage of the MB1 seals is that they do not incorporate dynamic O-rings. This design choice eliminates the issue of fretting, which refers to the damage caused by the repeated movement or rubbing of a dynamic O-ring against the shaft or sleeve. By eliminating dynamic O-rings, the MB1 seals minimize the potential for fretting and extend the service life of the sealing system.

Operating Parameters

Shaft Dia.: 18 to 150mm
Pressure: up to 10 Bars
Temp.: -20 to 180°C
Speed: up to 25 m/s

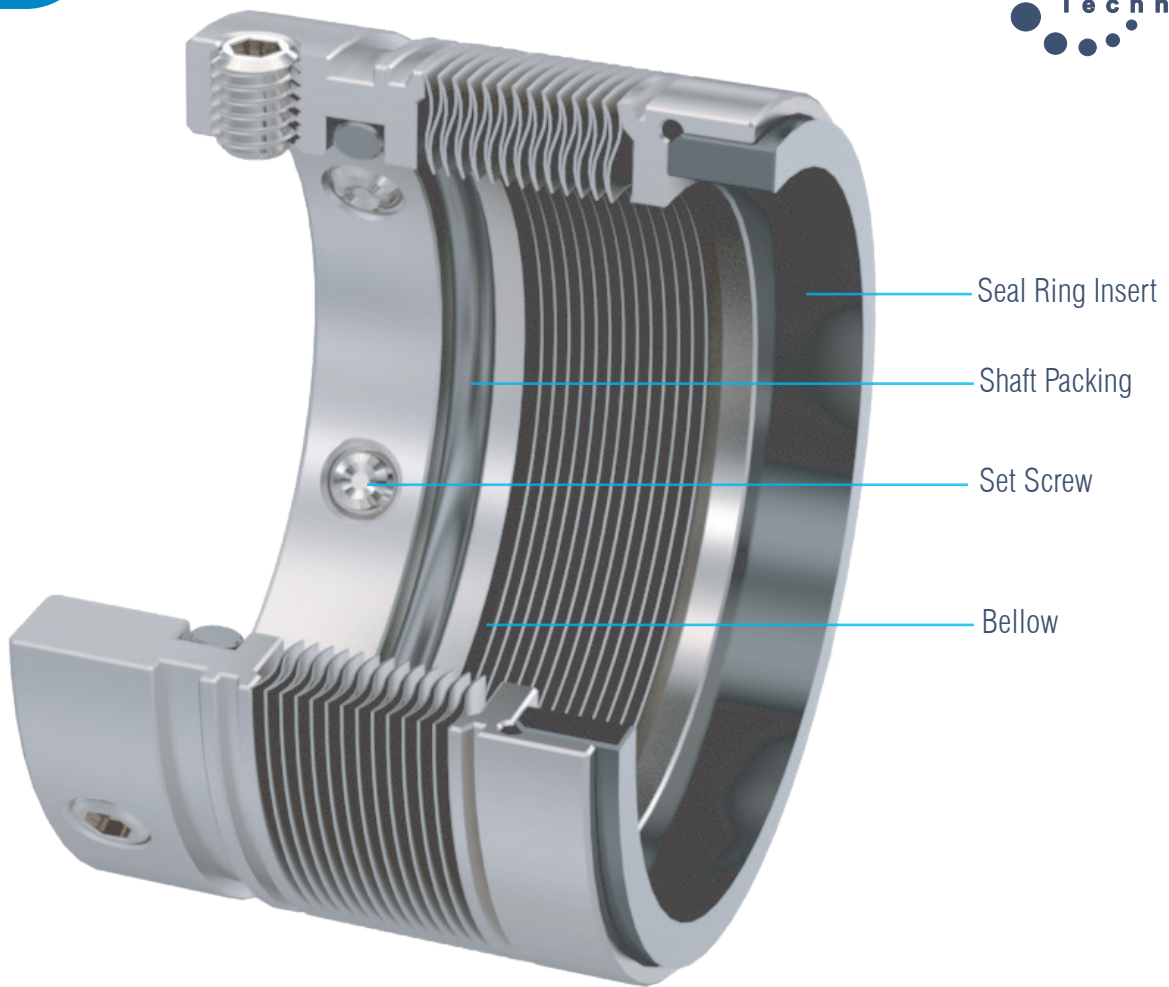
Materials

Seal Faces: Carbon/Sic/TC
Secondary Seals: FFKM/FKM/PTFE
Metal Components: SS-316/Hast-C/Inconel-718
Bellows: Incone-718/Hast-C/AM-350



MB1

Metric



Features



Easy Installation



Inherently Balanced



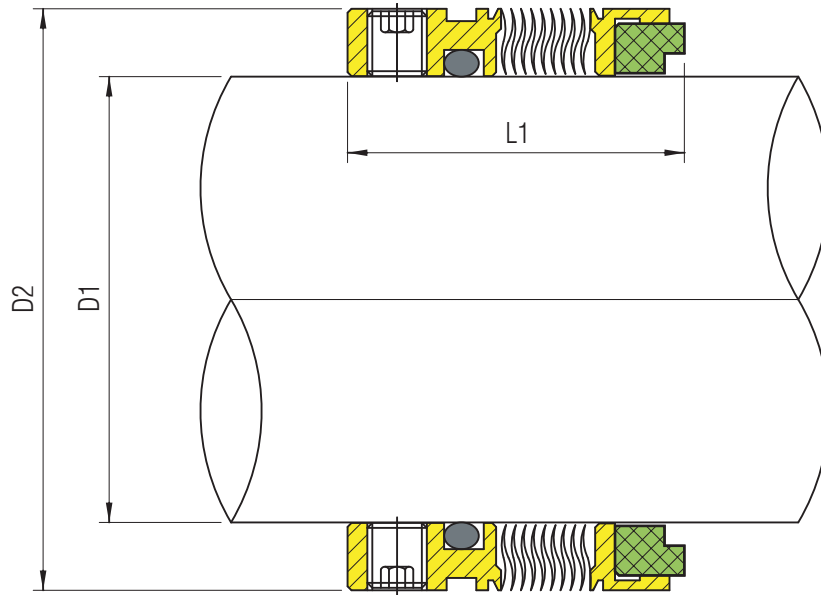
Requires Minimum Axial & Radial Space for installation



Minimum Parts



No Dynamic O Ring to Damage Shaft/Sleeve



MB1 Dimensional Data Metric

Seal Size/D1 mm	D2	L1
18	32	27.5
20	33.3	27.5
22	36	27.5
24	38.1	30
25	39	30
28	42	32.5
30	44	32.5
32	46	32.5
33	47	32.5
35	49.2	32.5
38	52.4	34
40	55.6	34
43	58.7	34
45	58.7	34
48	61.9	34
50	65.1	34.5
53	68.3	34.5
55	71	34.5
60	74.6	39.5
65	84.1	39.5
70	87.3	45
75	95.3	45
80	98.4	44.5
85	104.8	44.5
90	108	49.5
95	114.3	49.5
100	120.7	49.5

Seal Size/D1 mm	D2	L1
105	131.7	48.3
110	138.1	48.3
115	144.5	48.3
120	144.5	48.3
125	150.8	48.3
130	157.8	48.3
140	170.5	48.3
150	176.9	48.3

Note: Contact Hydro-Serve Design team for special requirements and customization



HYDRO-SERVE TECHNOLOGIES

UNIT 1
6, Zoroastrian Compound, Adarsh Nagar
New Link Road, Jogehwari (West)
Mumbai - 400102
INDIA
Email: support@hydro-serve.com
Phone: +91 9004261601

UNIT 2
Plot No. 19/20,
Sidhpur - 384151, North Gujarat.
INDIA
Email: support@hydro-serve.com
Phone: +91 9004261601

NOTE: If the products featured are intended for use in a potentially dangerous or hazardous process, it is essential to consult with a Hydro-Serve representative before selecting and using those products. Hydro-Serve emphasizes the importance of obtaining expert guidance to ensure safety and proper product suitability.