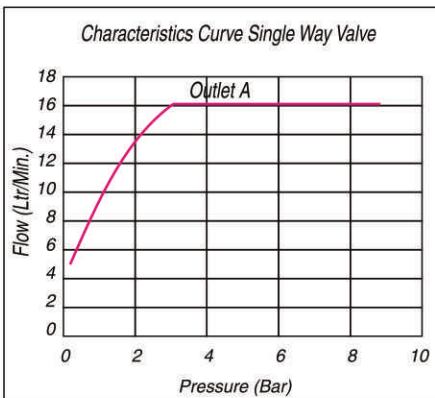




# MAGNETIC VALVE



## FUNCTIONAL PERFORMANCE



MODEL NO.	PRESSURE (KG/CM <sup>2</sup> )	FLOW RATE (LIT./MIN.)			LIQUID TEMP. (°C)	INPUT PRESSURE (KG/CM <sup>2</sup> )	LEAK PROOF (KG/CM <sup>2</sup> )
		A	B	C			
A3	0.25	2.5	1.0	2.5	<80°C	0.25<Pin<10	0.25 – 10
	1	8.0	4.0	8.0			
	2.5	14	7	14			
A2	0.25	2.5	-	2.5	<80°C	0.25<Pin<10	0.25 – 10
	1	8.0	-	8.0			
	2.5	14	-	14			
A1	0.25	2.5	-	-	<80°C	0.25<Pin<10	0.25 – 10
	1	8.0	-	-			
	2.5	14	-	-			
D1	0.06	1.2	-	-	<80°C	0.06<Pin<10	0.06-10

## ELECTRICAL PERFORMANCE

MODEL NO.	NOMINAL VOLTAGE (±15%)	LOW VOLTAGE OPERATION (Volts)	INPUT POWER (Watts)	HVAC	INSULATION RESISTANCE @ 500 VDC (MΩ)	INSULATION CLASS	TEMP. RISE
A1,A2,A3/1T	115 V AC/60Hz	<85	<6.6	1800 VAC /1 mA/1 sec.	> 100	B	<75°C
A1,A2,A3/2T	230 V AC/50Hz	<170	<6.6	1800 VAC /1 mA/1 sec.	> 100	B	<75°C
D1/3T	24 V DC	<22	<7.2	200VAC /1 mA/1 sec.	> 100	B	<75°C

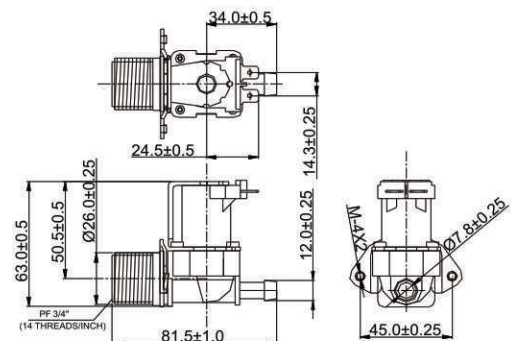
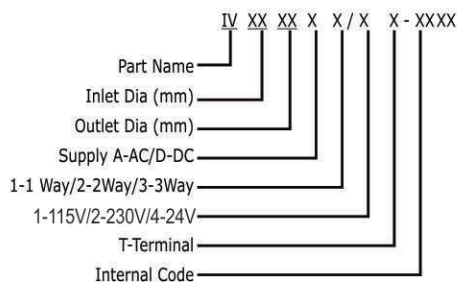
## ENVIRONMENTAL AND PACKAGING TESTS

MODEL NO.	TEMP. & HUMIDITY	DROP TEST	VIBRATION	BUMP TEST
ALL	10 to 50°C & 45±5°C, 90+5% RH 168 hrs	50 cm in orig. packing	10 min./plane <15Hz, 2mm amplitude	2000 bumps/Side @ 40G @ 2-3 bumps/Sec

## LIFE AT RATED VOLTAGE

MODEL NO.	LIFE (ON/OFF)
ALL	>500000 Cycles

MAGNETIC VALVE



All Dimensions in mm





# MAGNETIC VALVE



## FUNCTIONAL PERFORMANCE

MODEL NO.	PRESSURE (m bar)	MAX.FLOW RATE (LIT./MIN.)	Liquid (TEMP)
LPV 0808BD/3T-1	< 60	3@head of 170 mm	25°C to 98°C
LPV 0808BA/2T-1	< 60	3@head of 170 mm	25°C to 98°C

## ELECTRICAL PERFORMANCE

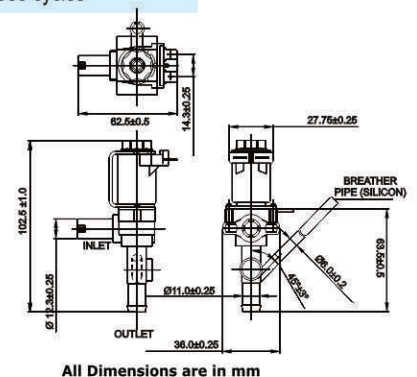
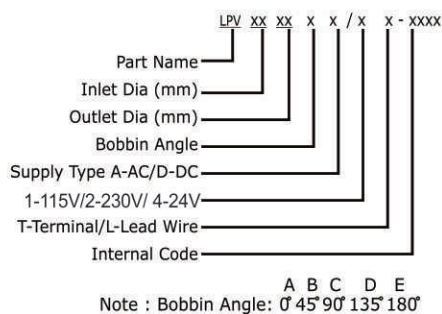
MODEL NO.	NOMINAL VOLTAGE	LOW VOLTAGE OPERATION	INPUT POWER	HVAC	INSULATION RESISTANCE	INSULATION CLASS	TEMP. RISE.
LPV 0808BD/3T-1	24 VDC	< 20 VDC	13 WATTS Max.	200 VAC	>100MOHM @500VDC	CLASS B	80°C max
LPV 0808BA/2T-1	230VAC,50Hz	< 170 VAC	12 WATTS Max.	1800VAC	>100MOHM @500VDC	CLASS B	80°C max.

## ENVIRONMENTAL PERFORMANCE

MODEL NO.	TEMP. & HUMUDITY	DROP TEST	VIBRATION	BUMP TEST
LPV 0808BD/3T-1	-10°C-50°C & 45±5°C,90±5% RH,168 hrs.	50 cm in original packing	10 min/plate, 15HZ 2mm amplitude	2000 bumps, @ 40 G 2-3 bumps/sec.
LPV 0808BA/2T-1	-10°C-50°C & 45±5°C,90±5%RH ,168hrs.	50 cm in original packing	10 min/plate, 15HZ 2mm amplitude	2000 bumps, @ 40 G 2-3 bumps/sec.

## LIFE AT RATED VOLTAGE

MODEL NO.	LIFE CYCLES
LPV 0808BD/3T-1	> 500000 cycles
LPV 0808BA/2T-1	> 500000 cycles



MAGNETIC VALVE

