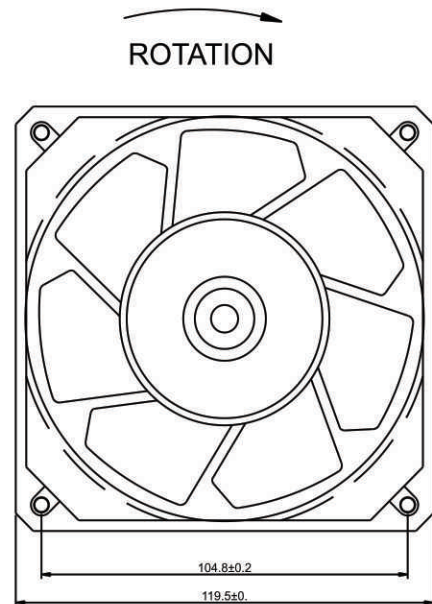
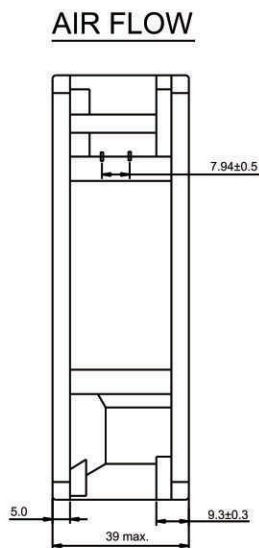


DC/AC AXIAL FAN



DC/AC AXIAL FAN



DC/AC AXIAL FAN

DC FANS

FEATURES :

- Reinforced Plastic Impeller and Housing.
- Air output over struts.
- Long, maintenance free life.
- Mounting position independent.
- Dynamic balanced to 0.4 gm-mm.
- Electronically Commutated Brushless DC Motor.
- Reverse voltage polarity protection in DC.
- Low power consumption.
- Lead wire - SWG 24, 150mm.

AC FANS

AC 120 x 120 x 39 - AXIAL FAN

- Reinforced Plastic Impeller and Metal Housing.
- Air input over struts.
- CW rotation viewed from impeller side.
- Long, maintenance free life.
- Mounting position independent.
- Low winding temperature rise.
- 70 to 95 CFM Airflow.
- Impedance protected.
- 230/115V AC, 1 phase, 50/60 Hz.

OPTIONS :

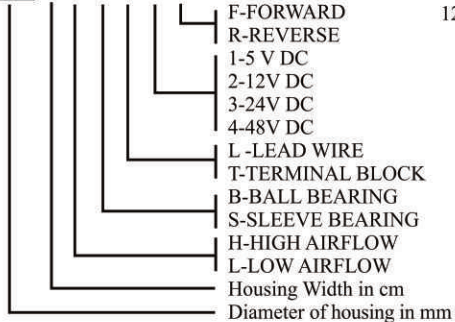
- Ball or sleeve Bearing.
- Reverse Airflow.
- Dual voltage fans : 115/230V AC.
- Low voltage fans.

QUALITY ASSURANCE :

- Inline inspection, testing and recording.
- 100% Final testing.
- 100% pre shipment Burn-In.

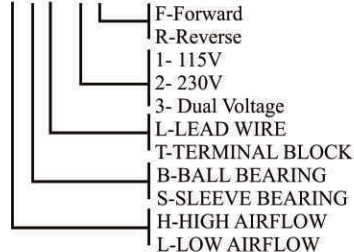
Part No. System

D XXX X X X X-X X

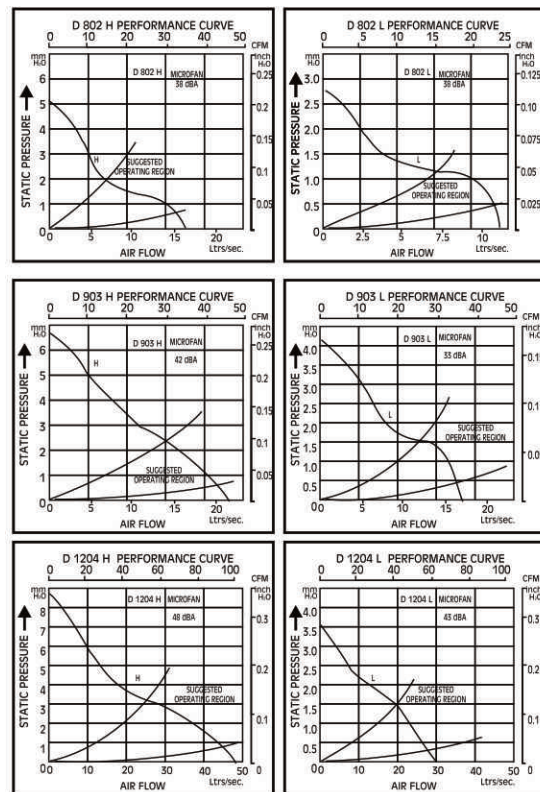


Part No. System

1203 X X X -X X



* Optional features
- contact factory



Dimensions	Airflow CFM (Ltrs/Sec)	Static Pr. mm H ₂ O ± 10%	Noise dBA (Nominal)	Bearing S Sleeve B Ball	Speed RPM ±5%	Temperature Range °C	Current mA max.	Power W max.	Voltage V	Part No.
FANS 12V DC										
80x80x25	35(16.5)	5.0	38	B	3300	-10..+80	220	2.6	8-16	D802HB-2
	25(12.0)	2.6	30	B	2400	-10..+80	130	1.6	8-16	D802LB-2
92x92x32	46 (22.0)	6.4	42	B	3300	-10..+80	220	2.6	8-16	D903HB-2
	36(17.0)	4.0	33	B	2500	-10..+80	130	1.6	8-16	D-903LB-2
120x120x38	104 (49.0)	9.0	48	B	2800	-10..+80	420	5.0	8-16	D1204HB-2
	85(40.0)	6.8	43	B	2300	-10..+80	280	3.5	8-16	D1204LB-2
FANS 24V DC										
80x80x25	35(16.5)	5.0	38	B	3300	-10..+80	110	2.6	18-30	D802HB-3
	25(12.0)	2.6	30	B	2400	-10..+80	65	1.6	18-30	D802LB-3
92x92x32	46 (22.0)	6.4	42	B	3300	-10..+80	110	2.6	18-30	D903HB-3
	36(17.0)	4.0	33	B	2500	-10..+80	65	1.6	18-16	D-903LB-3
120x120x38	104 (49.0)	9.0	48	B	2800	-10..+80	210	5.0	18-30	D1204HB-3
	85(40.0)	6.8	43	B	2300	-10..+80	140	3.5	18-30	D1204LB-3
FANS 24V DC										
80x80x25	35(16.5)	5.0	38	B	3300	-10..+80	63	3.0	38-58	D802HB-4
	25(12.0)	2.6	30	B	2400	-10..+80	37	1.8	38-58	D802LB-4
92x92x32	46 (22.0)	6.4	42	B	3300	-10..+80	63	3.0	38-58	D903HB-4
	36(17.0)	4.0	33	B	2500	-10..+80	37	1.8	38-58	D-903LB-4
120x120x38	104 (49.0)	9.0	48	B	2800	-10..+80	115	5.5	38-58	D1204HB-4
	85(40.0)	6.8	43	B	2300	-10..+80	80	3.8	38-58	D1204LB-4
230VAC/50Hz FANS										
May also be operated at 60 Hz.										
120 x 120 x 38	95(44)	9.0	45	B	2650	-30..+70	160	18	230/50Hz	1203HB-2
	80(38)	6.8	39	B	2150	-30..+70	130	15	230/50Hz	1203MB-2
	100(45)	9.0	46	B	2800	-30..+70	—	—	115-230/50-60Hz	1203MB-3



AC/DC AXIAL FAN 17



MICRO INSTRUMENTS CO.

8, Industrial Area, Ambala Cantt India - 133 006, Phones : +91-171- 2699935/2699529/2698043
Fax : +91-171-2699008/2699221 E-mail: micro1@vsnl.com , Web Site : www.microinstrumentsco.com