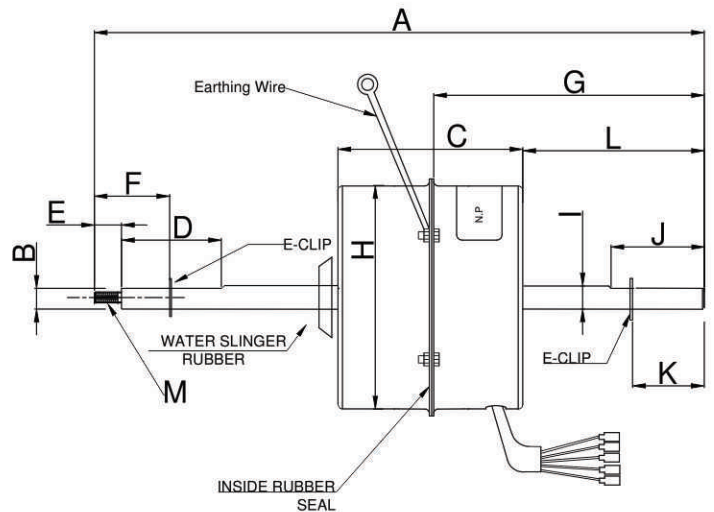
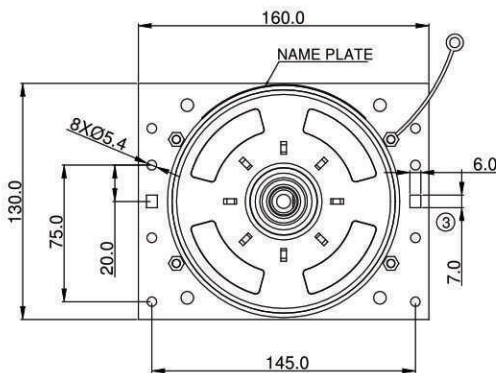
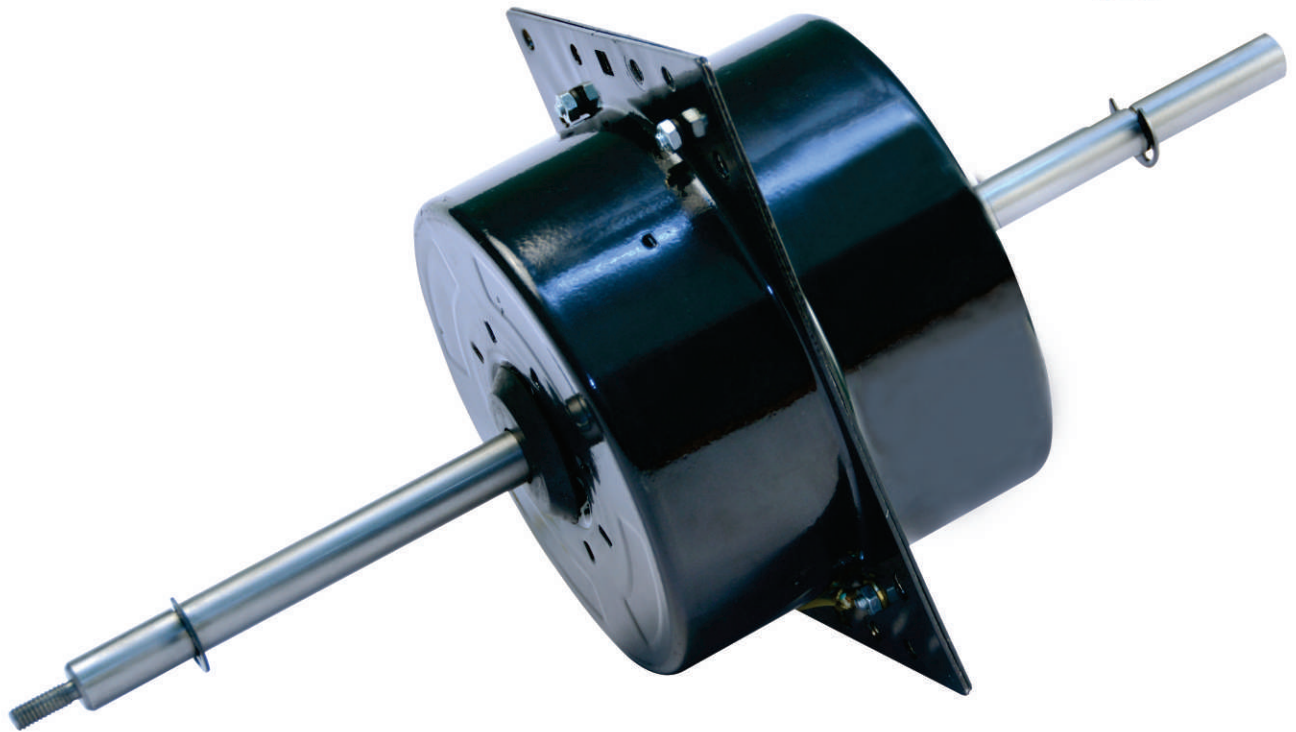




BLDC AIRCON MOTOR

BLDC AIRCON MOTOR



Applications
Air Conditioners
Window
FCU, AHU & General Purpose

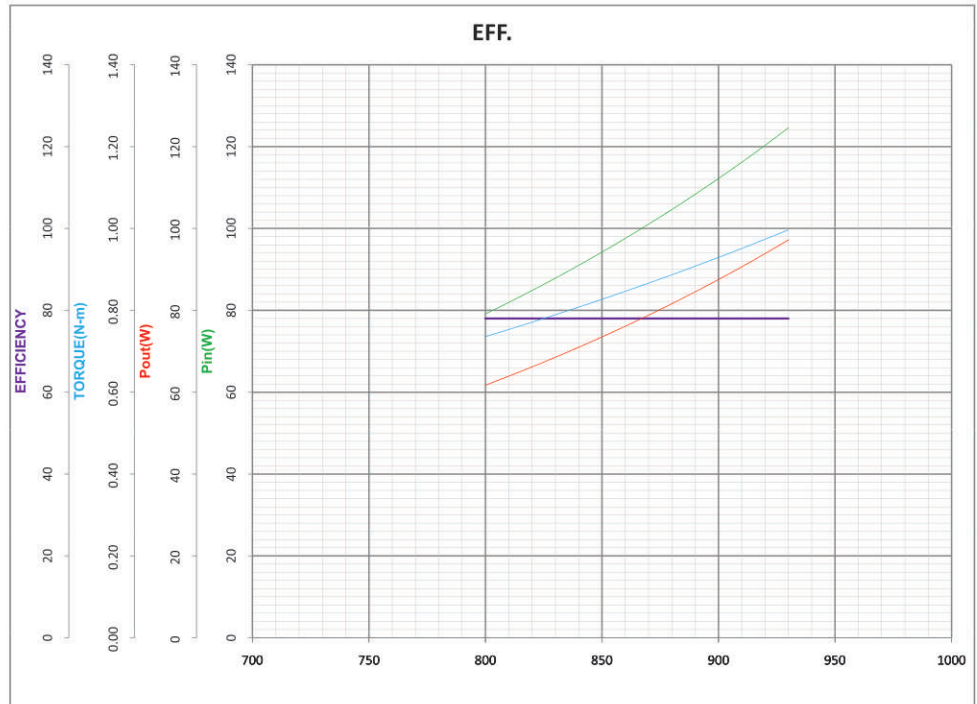
MECHANICAL DIMENSION													
MODEL NO.	A	B	C	D	E	F	G	H	I	J	K	L	M
MEC112B30A/2AL-WK1	336	11.5	102	55	15	41.5	151	123	12.7	51	39.5	102	M6* 1.0, mm R.H. Thread

BLDC AIRCON MOTOR

ELECTRICAL PERFORMANCE

MODEL NO.	FAN SIZES	OPERATING VOLTAGE/ FREQ.	RPM	OUTPUT POWER	INPUT CURRENT	INPUT POWER	CONSTANT RPM (VOLTAGE RANGE)	EFF.
MEC112B30A/2AL-WK1	1.5 Ton W.A.C.	230/50	920	94	0.93	120	200V - 270V	78%
		230/50	880	80	0.81	104	190V - 270V	77%
		230/50	840	70	0.71	91	180V - 270V	77%

MEC112B30A/2AL-WK1
Load 1.5 Ton W.A.C.



MOTOR OPERATING PARAMETERS

Operating Voltage : $150V \leq V_{in} \leq 265V$
 Motor Trip Voltage : $< 160, > 270 V$
 Over Load Trip Current : Factory Set
 RPM vs Voltage : Constant RPM
 Time Delay to Start : ≤ 5 Sec.
 Delays : Remote Sensing Start Delay and Full Speed
 are Achieved in Factory Set Delays
 Operating Temp. : $-10^{\circ}C$ to $+55^{\circ}C$
 Humidity : $\leq 95\%RH@50^{\circ}C$

OPTIONAL FEATURES

Switch/Remote Adjustable Speed Control
 Thermal Protection
 Soft Start for Reducing Inrush Current
 Interchangeable use of Remote and Switches
 Last Speed Saved
 Last Information Saved During Power Failure
 for Speed, Pump and Swing
 Auto Turn ON when Power Resumed

SAFETY PARAMETERS

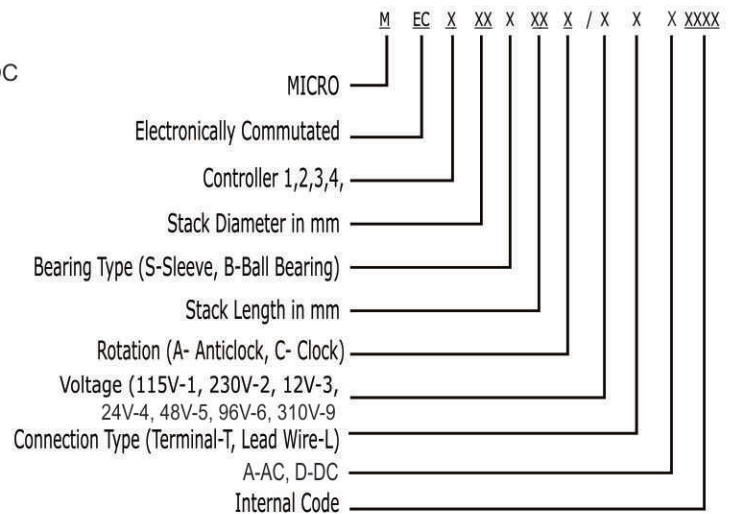
Class-B Insulation
 Insulation Resistance $> 10M\Omega@500V$ DC
 HVAC : $1500VAC, < 5mA$

REMOTE FEATURES

ON/OFF Switch
 Pump ON/OFF
 Swing ON/OFF
 LED Signals for Speeds, Pump, Swing

PROTECTIONS

Auto Power Down for Locked Rotor
 Current Based Trip : Factory Set
 Over/Under Voltage Protection
 3 Trials of Auto Restart before Shut Down
 HVAC : $1500VAC, < 5mA$



BLDC AIRCON MOTOR 17



MICRO INSTRUMENTS CO.

8, Industrial Area, Ambala Cantt India - 133 006, Phones : +91-171- 2699935/2699529/2698043
 Fax : +91-171-2699008/2699221 E-mail: micro1@vsnl.com , Web Site : www.microinstrumentsco.com