



4/6 POLE PSC MOTOR



4/6 POLE PSC MOTOR

Applications

- Air Conditioners
- Pumps
- Fans, Blowers &
- General Purpose

4/6 Pole (PSC Motors)

SPECIFICATIONS (ELECTRICAL)

MODEL NO.	POLES	OPERATING VOLTAGE	POWER WATTS (TYP)	CURRENT Amps (TYP)	SPEED (RPM) (FULL LOAD)	OUTPUT POWER	ROTATION	CAPACITOR	THERMAL OVER LOAD PROTECTION
10S30/2L-P	4 Poles	230V/50 Hz	72 Watts	0.36 Amps	1350, 1250, 1150	35 Watts	CCW	1.5 μ f / 440V	145 $^{\circ}$ \pm 5 $^{\circ}$ C
10S25/2L-O	4 Poles	230V/50 Hz	69 Watts	0.34 Amps	1350, 1250, 1150	32 Watts	CCW	1.5 μ f / 440V	145 $^{\circ}$ \pm 5 $^{\circ}$ C
10S23/2L-N	4 Poles	230V/50 Hz	64 Watts	0.29 Amps	1350, 1250, 1150	29 Watts	CCW	1.5 μ f / 440V	145 $^{\circ}$ \pm 5 $^{\circ}$ C
10S20/2L-R	4 Poles	230V/50 Hz	57 Watts	0.28 Amps	1350, 1250, 1150	23 Watts	CCW	1.5 μ f / 440V	145 $^{\circ}$ \pm 5 $^{\circ}$ C
95S30/2L-CK6	4 Poles	230V/50 Hz	78 Watts	0.56 Amps	1280, 1200, 1120, 1040	34 Watts	CCW	2.0 μ f / 440V	145 $^{\circ}$ \pm 5 $^{\circ}$ C

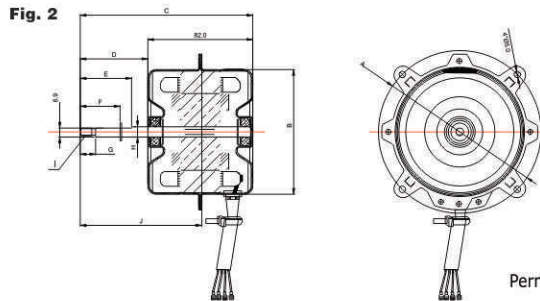
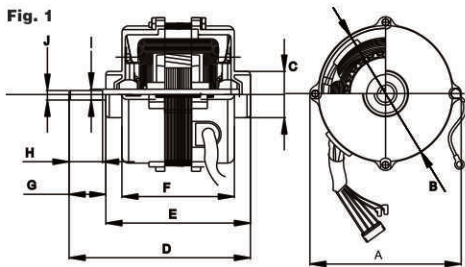
MODEL NO.	POLES	OPERATING VOLTAGE	POWER WATTS (TYP)	CURRENT Amps (TYP)	SPEED (RPM) (FULL LOAD)	OUTPUT POWER	ROTATION	CAPACITOR	THERMAL OVER LOAD PROTECTION
95B254C1E/2L-CJ8	4 Poles	230V/50 Hz	80	0.36 Amps	1350	30 Watts	CW	2.5 μ f	145 $^{\circ}$ \pm 5 $^{\circ}$ C
95B256C1E/2L-CJ12	6 Poles	230V/50 Hz	83	0.37 Amps	860	32 Watts	CW	2.5 μ f	145 $^{\circ}$ \pm 5 $^{\circ}$ C
95B306A1E/2L-CK21	6 Poles	230V/50 Hz	78	0.35 Amps	900	38 Watts	CCW	2.5 μ f	145 $^{\circ}$ \pm 5 $^{\circ}$ C
95B306A1E/2L-CK33	6 Poles	230V/50 Hz	98	0.44 Amps	890	50 Watts	CCW	3.15 μ f	145 $^{\circ}$ \pm 5 $^{\circ}$ C
95B304C1E/2L-CK27	4 Poles	230V/50 Hz	96	0.45 Amps	1050	45 Watts	CW	2.5 μ f	145 $^{\circ}$ \pm 5 $^{\circ}$ C
95B306C1E/2L-CK17	6 Poles	230V/50 Hz	106	0.48 Amps	900	54 Watts	CW	3 μ f	145 $^{\circ}$ \pm 5 $^{\circ}$ C
95B384C1E/2L-CM02	4 Poles	230V/50 Hz	144	0.56 Amps	1200	65 Watts	CW	2.5 μ f	145 $^{\circ}$ \pm 5 $^{\circ}$ C

Dielectric Strength	1500 V / 1 Minute / 1m A max
Insulation Resistance	500 V D C / 100 M Ω M In.

INSULATION CLASS - B

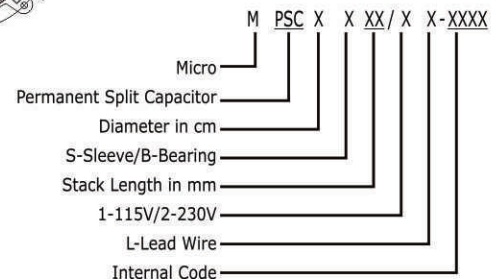
SPECIFICATION (MECHANICAL)

MODEL NO.	A	B	C	D	E	F	G	H	I	J	K
10S30/2L-P	117	ϕ 102	ϕ 34	211	124	86	87	20	ϕ 12.0	7.0	—
10S25/2L-O	117	ϕ 102	ϕ 34	208	119	81	89	20	ϕ 08.0	7.0	—
10S23/2L-N	117	ϕ 102	ϕ 34	130	103	79	27	25	ϕ 08.0	7.0	—
10S20/2L-R	117	ϕ 102	ϕ 34	130	100	76	30	25	ϕ 08.0	7.0	—
95S30/2L-CK6	118.5	ϕ 99	ϕ 34	186	110	86	88	25	ϕ 08.0	7.0	—
95B254C1E/2L-CJ8	127	ϕ 97.5	120.0	38.0	22	—	—	8	—	80	—
95B256C1E/2L-CJ12	127	ϕ 97.5	134.5	52.5	41	—	12	8	M6,L.H.	95	—
95B306A1E/2L-CK21	127	ϕ 97.5	172.0	89.5	30	30	10	8	M6,R.H.	134	—
95B306A1E/2L-CK33	127	ϕ 97.5	150.5	68.5	41	—	12	8	M6,R.H.	111	—
95B304C1E/2L-CK27	127	ϕ 97.5	159.5	77.5	43	—	11	8	M6,L.H.	120	—
95B306C1E/2L-CK17	127	ϕ 97.5	134.5	52.5	41	—	12	8	M6,L.H.	95	—
95B384C1E/2L-CM02	127	ϕ 97.5	151.5	69.5	61	—	—	8	—	112	—



ENVIRONMENTAL

(1) Operating Temperature	-10 $^{\circ}$ C to \pm 40 $^{\circ}$ C
(2) Drop Test	50 cm in Original Packing
(3) Vibration	10 Minutes/Plane, 15Hz, 2mm – Amplitude
(4) Bump Test	2000 bumps, 40G, 2-3 bumps/sec.
(5) Humidity	45 \pm 5 $^{\circ}$ C, 90 \pm 5% RH, 168 hrs



MICRO INSTRUMENTS CO.

8, Industrial Area, Ambala Cantt India - 133 006, Phones : +91-171- 2699935/2699529/2698043
 Fax : +91-171-2699008/2699221 E-mail: micro1@vsnl.com , Web Site : www.microinstrumentsco.com