

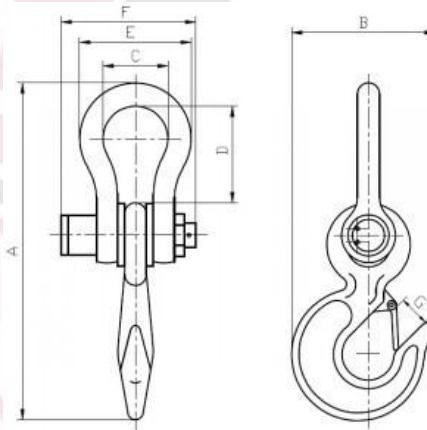
WIRELESS HANDY DISPLAY CRANE SCALE

Features:

1. High-quality alloy steel load receptor
2. Aluminum die-casting enclosure
3. High-duty bow shackle and eye hook
4. High capacity rechargeable battery
5. Infrared remote controller

Functions:

1. Zero / Tare / Hold
2. Low voltage alarm
3. Digital calibration
4. 5 digits LCD/LED, 7 indicators
5. kg/lb switchable
6. Gravity acceleration value set



Model	Max. Capacity (kg)	Division	Divi No.	Size (mm)							Packing size (cm)	Net Weight (kg)
				A	B	C	D	E	F	G		
OCS-WZ-2T	2000	1kg	2000	319	126	72	88	132	198	33	45x27x21	6.5
OCS-WZ-3T	3000	1kg	3000	319	126	72	88	132	198	33	45x27x21	6.5
OCS-WZ-5T	5000	2kg	2500	407	161	88	123	160	219	42	45x27x21	11.5
OCS-WZ-10T	10000	5kg	2000	484	202	96	172	160	246	50	58x31x26	17.5
OCS-WZ-15T	15000	5kg	3000	585	210	126	195	214	263	55	58x31x26	25
OCS-WZ-20T	20000	10kg	2000	621	284	142	210	251	294	75	72x41x26	31
OCS-WZ-30T	30000	10kg	3000	858	344	174	344	302	356	90	91x53x45	69
OCS-WZ-50T	50000	20kg	2500	1020	470	200	250	360	436	135	94x54x145	161