



SIMANDHAR TECHNOLOGY

MFG. BRAND:
SHRI SAI & SIMANDHAR



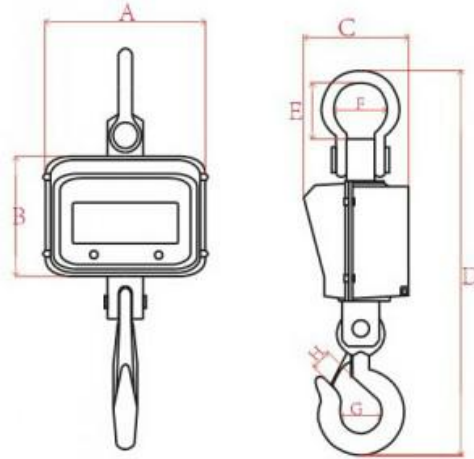
CRANE SCALE

MODEL : CRSH

Specifications:

- # capacity : 2T, 3T,5T,10T,15T
- # Die casting body.
- # Tare Range : 100% F.S.
- # Settling Time : 5-8s
- # Safe Overload : 125% F.S.
- # Limited Load : 150% F.S.
- # Overload alarm : 100% F.S.
- # Battery : 6v/4AH.
- # Battery Life : >80h
- # New circuit design, longer standby time and more stable.
- # Quality in one sensor design, weighing fast accurate and stable.
- # high quality sealed maintenance free rechargeable batteries, shock-resistant high- strengthAluminium alloy chassis.
- # stability : the perfect program, do not crash, do not hop.
- # U.S : Fashion appearance, Patented design.
- # Ultra bright led digital display, Character height 30mm / 5
- # operating Temperature : -10°C~40°C
- # Province : Handheld remote control, Convenience.





| MODEL | MAX. CAPACITY (KG) | DIVISION (KG) | Dimensions | | | | | | | | NET WEIGHT (KG) |
|-----------|--------------------|---------------|-------------|-----|-----|-----|-----|----|----|----|-----------------|
| | | | SIZE (MM) | | | | | | | | |
| | | | A | B | C | D | E | F | G | H | |
| CRS-H -2T | 2000 | 500G | 255 | 190 | 205 | 580 | 70 | 67 | 46 | 35 | 13.5 |
| CRS-H-3T | 3000 | 500G | 255 | 190 | 205 | 580 | 70 | 67 | 46 | 35 | 13.5 |
| CRS-H-5T | 5000 | 1KG | 255 | 190 | 205 | 680 | 88 | 73 | 60 | 45 | 18.5 |
| CRS-H-10T | 10000 | 2KG | 255 | 190 | 205 | 780 | 114 | 92 | 71 | 59 | 30 |
| CRS-H-15T | 15000 | 5KG | 255 | 190 | 205 | 830 | 120 | 97 | 77 | 65 | 36.5 |

INCLUDE ACCESSORIES



Battery



Remote control



Adaptor