

(Model : Wireless Steel crane scale )

## Product Details

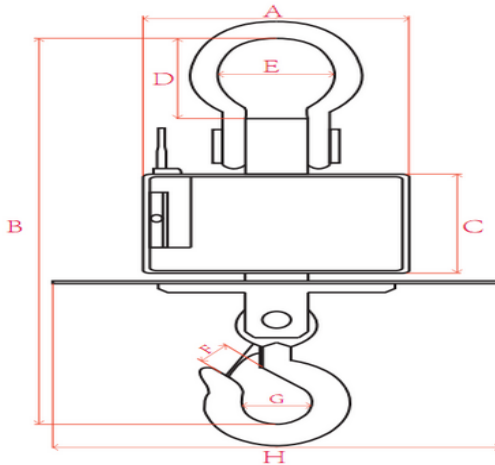
### Features

- â††High-strength load cell
- â††Steel chrome plated case
- â††American standard bow shackle
- â††American standard eye hook

### Optional colours

As picture

### Size and weight



Model	Max Capacity kg	Division kg	Number of divisions	Crane scale Size mm							Weight kg
				A	B	C	D	E	F	G	
OCS-3T	3000	1	3000	265	160	550	104	65	33	50	31
OCS-5T	5000	2	2500	265	160	640	115	84	55	65	31
OCS-10T	10000	5	2000	265	160	750	135	102	65	80	41
OCS-15T	15000	5	3000	265	190	810	188	116	65	80	62
OCS-20T	20000	10	2000	331	200	970	230	140	85	100	85
OCS-30T	30000	10	3000	331	200	1020	165	145	117	127	115
OCS-50T	50000	20	2500	420	317	1450	400	233	130	160	338

## Functions

<b>Products Standard</b> --GB/T11883-2002--Electronic crane scale
<b>Accuracy Class</b> --OIML
<b>A/D transfer speed</b> -- 50times/sec
<b>Loadcell input Voltage</b> --DC 5V
<b>Sensor connection</b> --4 - wire
<b>Max. internal code</b> -- 1,000,000yd
<b>Nonlinearity</b> -- <0.01%F.S
<b>Digital Calibration</b> --Using keyboard
<b>Serial communication interface</b> --RS232C
<b>Data storage</b> : Accoding to Serial No.& Art.No.store separately, total 2000 groups of records
<b>Display</b> : 192*64 matrix LCD( with backlight)
<b>Temperature Range</b> : Body -10--f--+50--f
<b>Humility Range</b> --85%
<b>Frequency</b> --450MHZ
<b>Distance</b> : 20m without obstacle— will be less if any partition between scale and wireless display

## Specification

Accuracy class	OIML III
Tare range	100%F.S.
Radio frequency	450MHZ
Safe Overload	120%F.S.
Limited Load	400%F.S.
Overload alarm	100%F.S.
Battery	5-10T:6V/4AH ; 10-50T: 6V/12AH
Zero range	4%F.S.
Battery life	>100h

## Included Accessory



Battery (5-10T:6V/4AH)



Battery (10-50T: 6V/12AH)



Adaptor