

AV-257 Cast Iron Y-Type Strainer (Screwed Ends)

Features

BSP Taper Threads as per BS 21

Test Pressure

Body : 300 Psig (Hyd.)

Max. Steam Working Pressure : 150 Psig

Max. Working Temp. : 220°C

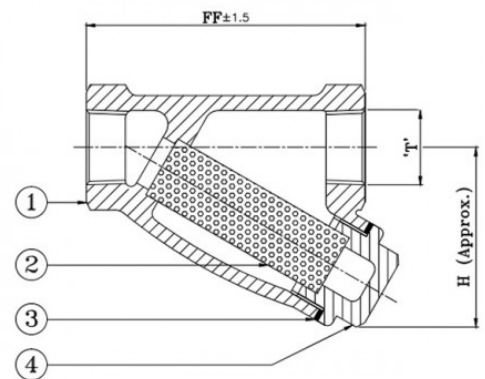
Suitability

Water, Steam, Oil



Material Combination

P.No.	Name of Part	Material	Specification
1	Body	Cast Iron	IBR 86 to 93 Gr.A
2	Screen	Stainless Steel	Type 304 1mm Perforation
3	Gasket	C.A.F	-
4	Cover	Cast Iron	IBR 86 to 93 Gr.A



Dimensional Data

Nominal Size (mm)	FF ± 1.5	H	T
15	76	62	1/2"
20	98	71	3/4"
25	140	90	1"
32	152	115	1.1/4"
40	178	142	1.1/2"
50	222	162	2"