

AV-279 C.C.S. Y-Type Strainer

Features

Flanged End as per BS-10 Table 'J' FF (Undrilled)

Test Pressure

Body : 700 Psig (Hyd.)

Max. Working Pressure : 350 Psig (Steam)

Max. Working Temp. : Upto 400°C

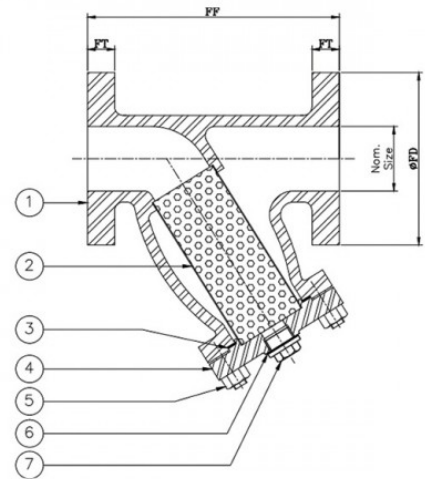
Suitability

Water, Steam, Oil



Material Combination

P.No.	Name of Part	Material	Specification
1	Body	C.C.S.	ASTM A216 Gr. WCB
2	Screen	Stainless Steel (Type 304)	Ø1mm Perforation
3	Gasket	C.A.F.	-
4	Cover	C.C.S.	ASTM A216 Gr. WCB
5	Studs And Nuts	Carbon Steel	-
6	Gasket	C.A.F.	BS 1832
7	Drain Plug	Stainless Steel	ASTM A276 Type 410



Dimensional Data

Nominal Size (mm)	FF	ØFD	FT
25	181 ±2	120.7	19.1
40	260 ±2	139.7	22.3
50	277 ±2	165.1	25.4
65	277 ±2	184.2	25.4
80	294 ±2	203.2	31.8
100	403 ±3	228.6	34.9
125	429 ±3	279.4	38.1
150	476 ±3	304.8	38.1
200	670 ±4	368.3	41.3