

AV-134 Gun Metal Y-Type Strainer (Screwed Ends)

Features

S.S. Screen with 1mm Dia Perforations, Screwed Female BSP Parallel Threads to BS 21

Test Pressure

Body : 300 Psig (Hyd.)

Max. Working Pressure : 150 Psig (Hyd.)

Max. Working Temperature : 200°C

Testing Standard

BS EN 12266 (Part 1)

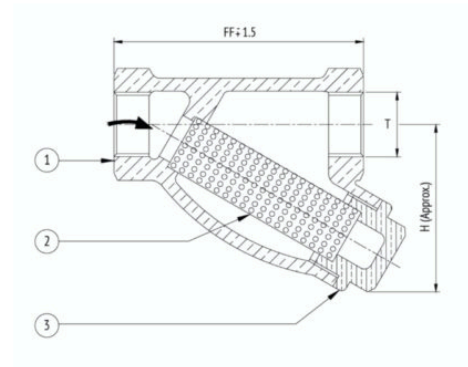
Suitability

Water, Oil



Material Combination

P.No.	Name of Part	Material	Specification
1	Body	Gun Metal	BS EN 1982 Gr.CC491K / IS 318 Gr. LTB2
2	Screen	Stainless Steel	ASTM A 276 Type 304 / IS 6603
3	Cover	Gun Metal	BS EN 1982 Gr.CC419K / IS 318 Gr.LTB2



Dimensional Data

Nominal Size (mm)	FF	H	T
15	72	56	1/2"
20	98	72	3/4"
25	116	80	1"
32	146	96	1.1/4"
40	166	105	1.1/2"
50	205	140	2"
65	241	182	2.1/2"