

## AV-14 Bronze Y-Type Strainer (Screwed Ends)

### Features

Fine Finish Casting to Reduce Pressure Drop, Screen is Guided in the body, Corrosion Resistant Screen is used, Large Ratio clearance between the Strainer & the Body, designed to achieve Minimum Pressure Drop, Stainless Steel Screen with 1mm Diameter, Perforations, Screwed Female BSP Parallel Threads to BS-21

### Test Pressure

Body : 300 Psig (Hyd.)

Max. Working Pressure : 150 Psig (Hyd.)

### Testing Standard

BS EN 12266 Part-1

### Note

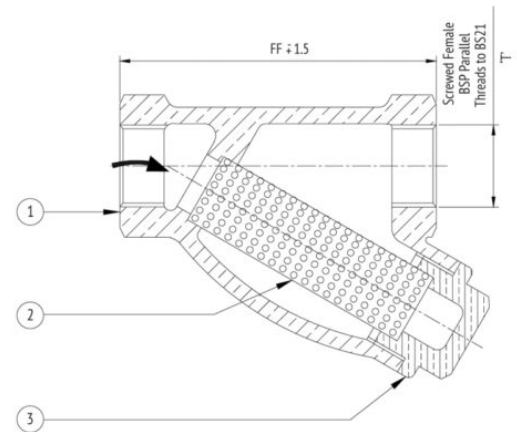
Other Screwed End Specification can be provided on request.

### Suitability

Water, Steam, Oil, Air

### Material Combination

P.No.	Name of Part	Material	Specification
1	Body	Bronze	BS 1400 LG2
2	Screen	Stainless Steel	ASTM A240 TYPE 304
3	Cover	Bronze	BS 1400 LG2



### Dimensional Data

Nominal Size (mm)	H	FF	T
15	56	72	1/2"
20	72	98	3/4"
25	80	116	1"
32	96	146	1.1/4"
40	105	166	1.1/2"
50	140	205	2"
65	182	241	2.1/2"