

## AV-220 Bronze Thermodynamic Steam Trap

### Features

Stainless Steel Trim and Stainless Steel Strainer  
Screwed Female BSP Taper Threads BS 21

### Test Pressure

Body : 500 Psig (Hyd.)  
Max. Steam Working Pressure : 250 Psig at 225°C

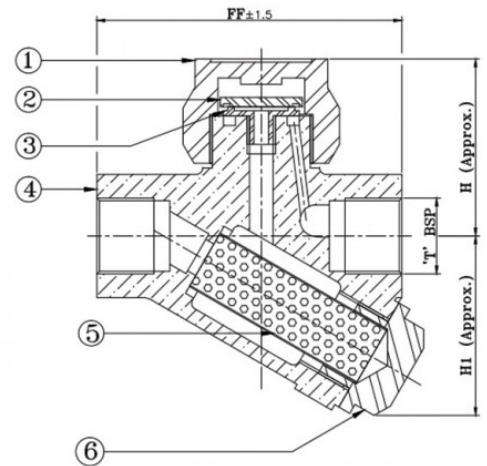
### Suitability

Steam



### Material Combination

| P.No. | Name of Part | Material        | Specification                 |
|-------|--------------|-----------------|-------------------------------|
| 1     | Top Nut      | Stainless Steel | AISI 410                      |
| 2     | Disc         | Stainless Steel | AISI 410                      |
| 3     | Seat         | Stainless Steel | AISI 410                      |
| 4     | Body         | Bronze          | IBR Clause 282 (a) (IV) Gr. B |
| 5     | Screen       | Stainless Steel | TYPE 304                      |
| 6     | Cover        | Stainless Steel | AISI 410                      |



### Dimensional Data

| Nominal Size (mm) | FF ± 1.5 | T    | H  | H1 |
|-------------------|----------|------|----|----|
| 15                | 83       | 1/2" | 60 | 56 |
| 20                | 95       | 3/4" | 60 | 62 |
| 25                | 117      | 1"   | 70 | 76 |