

AV-12 Bronze Thermodynamic Steam Trap (Screwed Ends)

Features

Fine Finish Casting, Screen is Guided in the body, Corrosion Resistant Screen is used, With Stainless Steel Trim & Strainer, Screwed Female BSP Parallel Threads to BS-21

Test Pressure

Body : 500 Psig (Hyd.)

Max. Steam Working Pressure : 250 Psig at 225°C

Note

Other Screwed End Specification can be provided on request.

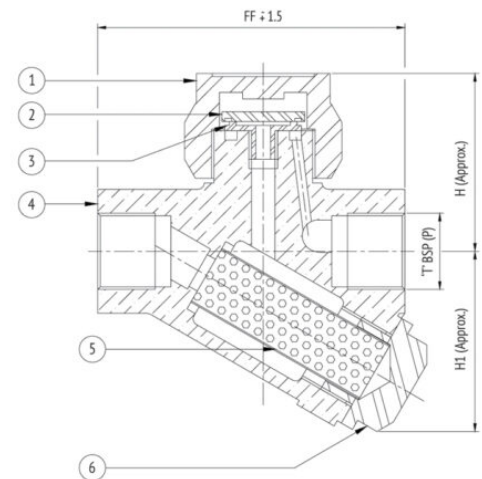
Suitability

Steam



Material Combination

P.No.	Name of Part	Material	Specification
1	Top Nut	Stainless Steel	ASTM A276 Type 410
2	Disc	Stainless Steel	ASTM A276 Type 410
3	Seat	Stainless Steel	ASTM A276 Type 410
4	Body	Bronze	IBR 282(a)(IV) Gr. B
5	Screen	Stainless Steel	ASTM A240 Type 304
6	Cover	Stainless Steel	ASTM A276 Type 410



Dimensional Data

Nominal Size (mm)	FF	T	H	H1
15	83	1/2"	60	56
20	95	3/4"	60	62
25	117	1"	70	76
32	125	1.1/4"	82	92
40	125	1.1/2"	82	92
50	142	2"	98	114