

AV-262 Cast Iron Double Post Safety Valve

Features

High Lift, Spring Loaded with Stainless Steel Seat, Stainless Steel Stem
Inlet Flanged to BS-10 Table 'F' FF (Undrilled), Outlet Flanged to BS-10 Table 'D' FF (Undrilled)

Test Pressure

Body : 300 Psig (Hyd.)
Max. set Pressure : 150 Psig (Steam)
Max. Working Temp. : 220°C

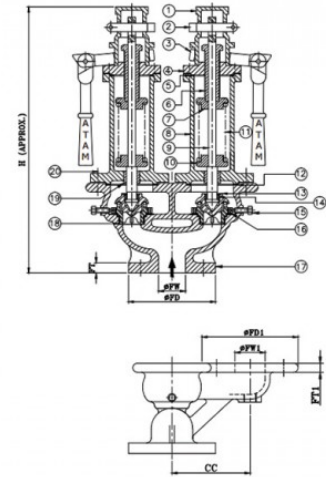
Suitability

Steam



Material Combination

P.No.	Name of Part	Material	Specification
1	Cap	Cast Iron	IBR 86 To 93 Gr.A
2	Cotter	Cast Iron	IBR 86 To 93 Gr.A
3	Lever	Cast Iron	IBR 86 To 93 Gr.A
4	Cover	Cast Iron	IBR 86 To 93 Gr.A
5	Gasket	C.A.F.	-
6	Adjusting Screw	Bronze	IBR 282 (a) (iv) Gr.B
7	Upper Spring Disc	Cast Iron	IBR 86 To 93 Gr.A
8	Spring Chamber	Cast Iron	IBR 86 To 93 Gr.A
9	Stem	Stainless Steel	AISI 410
10	Lower Spring Disc	Cast Iron	IBR 86 To 93 Gr.A
11	Spring	Spring Steel	IBR 307
12	Gasket	C.A.F.	-
13	Disc	Stainless Steel	ASTM A217 Gr. CA15 / ASTM A276 Type 410 + Stellite
14	Ring	Bronze	IBR 282 (a) (iv) Gr.B
15	Screw	Carbon Steel	-
16	Regulating Ring	Bronze	IBR 282 (a) (iv) Gr.B
17	Body	Cast Iron	IBR 86 to 93 Gr.A
18	Body Seat Ring	Stainless Steel	ASTM A276 Type 410 + Stellite
19	Bush	Bronze	IBR 282 (a) (iv) Gr.B
20	Bolts and Nuts	Carbon Steel	-



Dimensional Data

Nominal Size (mm)	CC	ØFW	ØFD	FT	ØFW1	ØFD1	FT1	H
25	152.4	38.1	139.7	15.9	38.1	133.4	15.9	480
40	165	57.2	184.2	19.1	63.5	165.1	17.5	565
50	190.5	73	203.2	22.3	76.2	184.2	19.1	630