

AV-278 C.C.S. Parallel Slide Blow Off Valve

Features

Bolted Bonnet, Rack and Pinion Operated
Flanged Ends as per BS-10 Table 'J' FF (Undrilled)

Test Pressure

Body : 700 Psi g (Hyd.)
Max. B.O.P. : 350 Psi g at 400°C

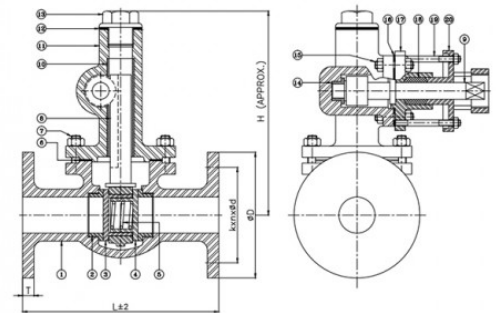
Suitability

Water, Steam



Material Combination

P.No.	Name of Part	Material	Specification
1	Body	C.C.S	ASTM A 216 Gr. WCB
2	Body Seat Ring	Stainless Steel	AISI 410 + STELLITED
3	Female Disc	Stainless Steel	AISI 410 + STELLITED
4	Male Disc	Stainless Steel	AISI 410 + STELLITED
5	Spring	Carbon Steel	IBR 307
6	Gasket	SP.WD.Stainless Steel 304 With Graphoil Filler	-
7	Studs & Nuts	Carbon Steel	-
8	Rack	Stainless Steel/ C.A.S.	AISI 410/ ASTM A217 Gr. CA15
9	Pinion	Stainless Steel/ C.A.S.	AISI 410/ ASTM A217 Gr. CA15
10	Bush	Bronze	IBR 282 (a) Gr. B
11	Bonnet	C.C.S	ASTM A216 Gr. WCB
12	Gasket	Non Asbestos	-
13	Plug	Stainless Steel	AISI 410
14	Bush	Stainless Steel	AISI 410
15	Studs & Nuts	Carbon Steel	-
16	Gasket	Non Asbestos	-
17	Stuffing Box	C.C.S	ASTM A216 Gr. WCB
18	Gland Packing	Graphoil	-
19	Studs & Nuts	Carbon Steel	-
20	Gland Flange	C.C.S	ASTM A216 Gr. WCB



Dimensional Data

Nominal Size (mm)	L ±2	H	ØD	T	k	n	Ød
25	203	225	120.7	19.1	87.3	4	17.5
32	242	260	133.4	19.1	98.4	4	17.5
40	267	280	139.7	22.3	104.8	4	17.5
50	305	312	165.1	25.4	127	4	22.3
65	330	320	184.2	25.4	146.1	8	22.3

k - P.C.D; n - Number of Holes; Ød - Diameter of Holes